

9.2.3 Extension Mini I/O Card (MD38IO2)

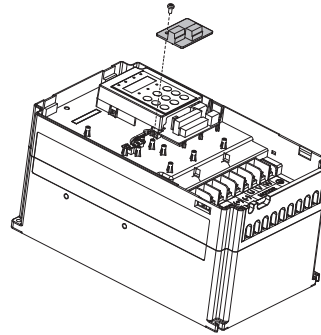
■ Overview

MD38IO2 is the simplified version of MD38IO1 and provides three DI terminals.

■ Physical Appearance



■ Mechanical Installation



■ Description of Terminals and Jumpers

The following table describes the terminals of the MD38IO1.

Type	Terminal	Terminal Name	Function Description
Power supply	+24V-COM	External +24V power supply	Provide a +24 V power supply to an external unit. Generally used to supply DI/DO terminals and external sensors. Max. output current: 200 mA
	OP2	Digital input power terminal	It is not connected to power supply by default. It can be connected either to external power or +24V according to the actual need.
Digital inputs	DI6-OP2	Digital input 6	Optically-coupled isolation compatible with dual-polarity inputs Input resistance: 3.3 kΩ for DI6 and DI7, 2.4 kΩ for DI8
	DI7-OP2	Digital input 7	Voltage range for inputs: 9 to 30 V
	DI8-OP2	Digital input 8	DI6, DI7 and DI8 are common input terminals with input frequency < 100 Hz.

The following table describes the jumpers of the MD38IO1.

Jumper	Description	Meaning	Setting
J2	OP2 connecting mode selection	If DI connected in SINK mode, OP1 connected to +24V	<input type="checkbox"/> <input type="checkbox"/> <input type="checkbox"/>
		If DI connected in SOURCE mode, OP1 connected to COM	<input type="checkbox"/> <input type="checkbox"/> <input type="checkbox"/>

■ Terminal Wiring

For wiring of DI terminals, see DI1-DI5 Wiring (Sink, Source).