

SIEMENS Series

Configuration for the RS-485 connection with S7-200 series is shown in Figure 1.

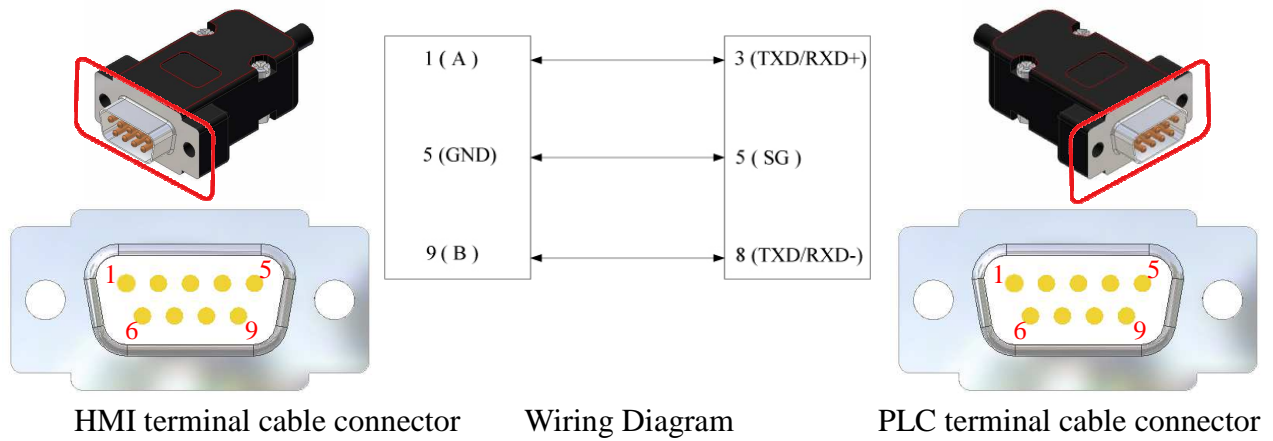


Fig. 1 RS-485 Communications Wiring

The S7-300 series needs a PC adapter to connect HMI. Configuration for the RS-232 communications wiring is shown in Figure 2.

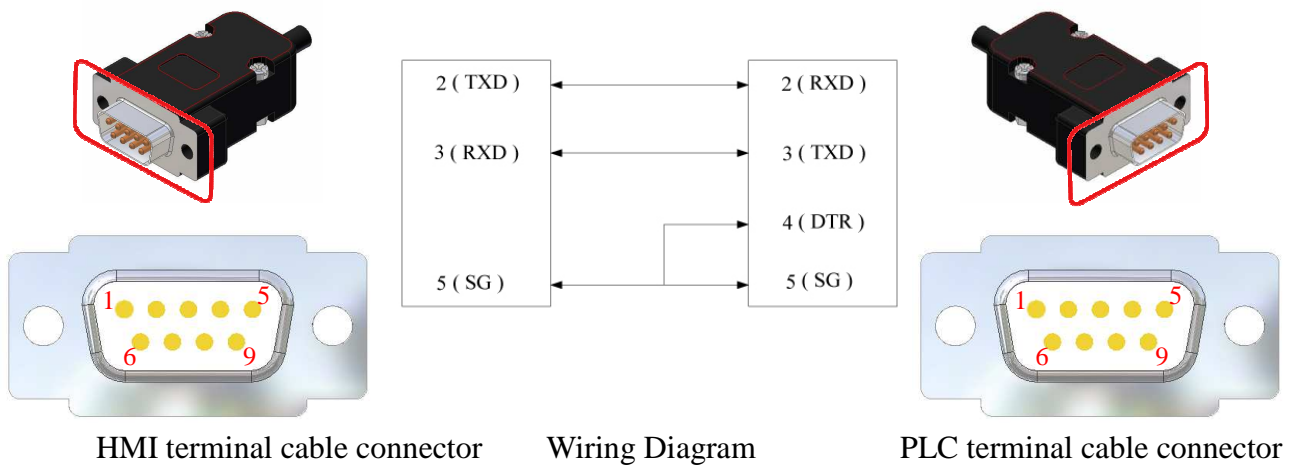


Fig. 2 RS-232 Communications Wiring

Recommended serial setup :

Type	Baud Rate (Bps)	Parity	Data Length (Bit)	Stop Bit (Bit)	PLC Station NO.
S7-200	9600	Even	8	1	N/A
S7-300	38400	Odd			