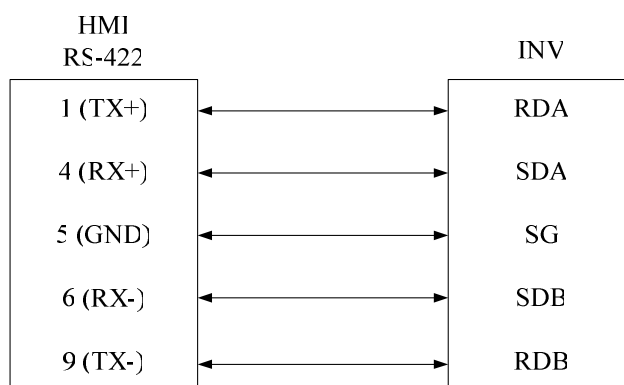
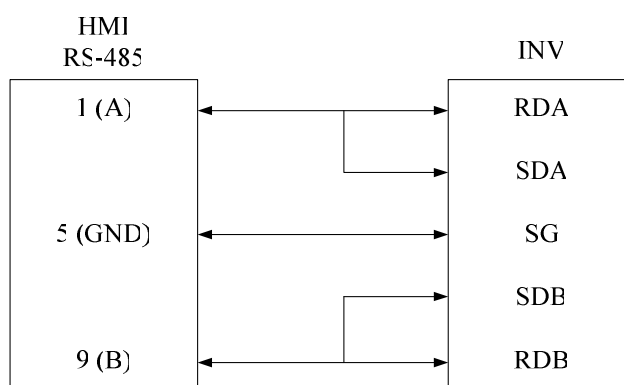


Shihlin Inverter (SE/SH/SL/SS)

Configuration of the RS-422/RS-485 connection is shown in the following Figure 1.



(a)



(b)

Fig. 1 Invert Connection (a) RS-422 (b) RS-485



- When the INVERTER connection is selected, it can connect up to 16 units, and the station numbers are set to 1~16.
- For connection to the SH inverter, SG terminal needs shielded grounding.
- The devices IIW and IDW of inverter are write only, IIR and IDR are read only. The invalid actions such as reading value from the write only device or writing value to read only device will not be taken on HMI.