



UNITRONICS

Headquarters

Unitronics (1989) (R[®]G) Ltd.
 Unitronics Building, Airport City
 P.O.B. 300, Ben Gurion Airport, Israel 70100
 Tel: + 972 (3) 977 8888 Fax: + 972 (3) 977 8877

Replacing a Battery: V230/260/280/290

Tech Support Document

4/06

Before you can replace a battery in a controller comprising a Snap-in I/O module, you must remove it before you can open the controller. Note that replacement batteries, 3V CR2450; may be ordered from Unitronics.

Note that in order to avoid losing data, you replace the battery when the controller is running.

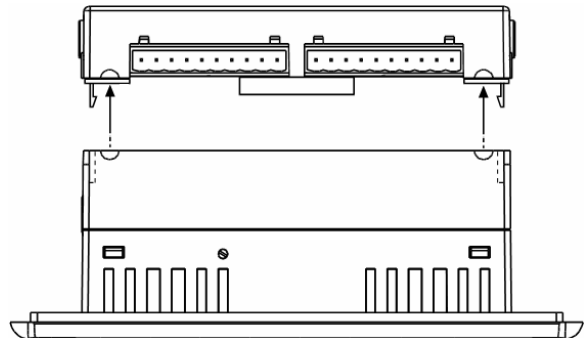
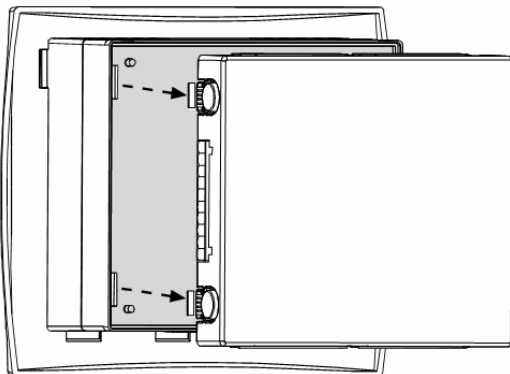
The instructions below feature the V230 for representational purposes, and are relevant for the following Vision models: V230/260/280/290.

Removing a Snap-in I/O Module



- Turn off the power before removing or installing I/O modules.

1. Locate the four buttons on the sides of the controller, two on either side.
2. Press the buttons and hold them down to open the locking mechanism.
3. Gently rock the module from side to side, easing the module from the controller.



Replacing the Battery

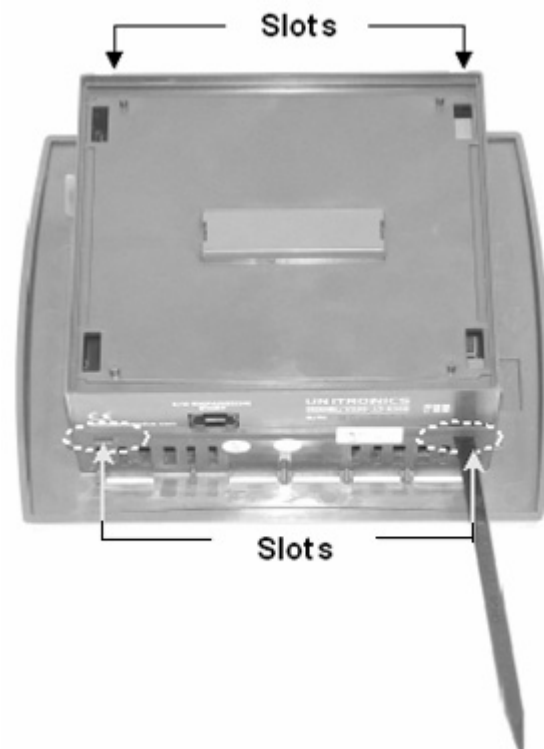


- Before opening the controller, touch a grounded object to discharge any electrostatic charge.
- Avoid directly touching PCB boards.

To preserve data, replace the battery when the controller is running. If you have disconnected the power to remove a Snap-in I/O module, reconnect the power supply cable and power-up the controller before opening it.

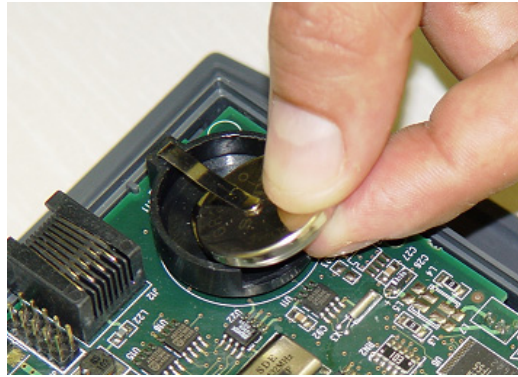
Removing the rear panel of controller:

1. Locate the 4 slots on the sides of the controller.
2. Open the controller by inserting a stylus or a flat-bladed screwdriver into the slots located on the side of the controller, then carefully prying off the rear panel.



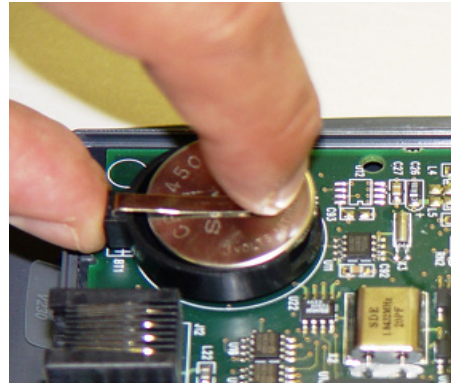
4/06 Replacing a Battery: V230/260/280/290 Tech Support Document

3. Remove the battery by holding it as shown in the accompanying figure, and gently sliding it out from under the clip.



4. Slide the new battery sideways under the clip as shown. The clip must hold the battery securely.

Note that the side of the battery bearing text (+) must face **up**.

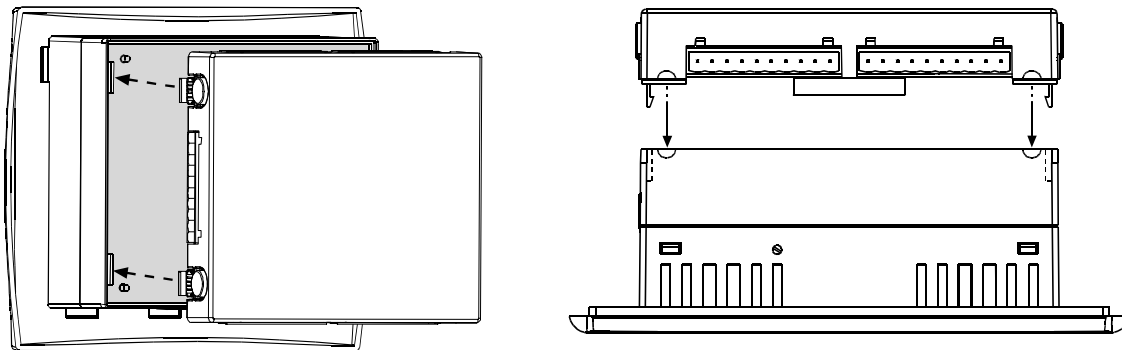


5. Close the controller by snapping the plastic cover back in its place.



Re-installing a Snap-in I/O Module

1. Line the circular guidelines on the controller up with the guidelines on the Snap-in I/O Module as shown below.
2. Apply even pressure on all 4 corners until you hear a distinct 'click'. The module is now installed. Check that all sides and corners are correctly aligned.



The information in this document reflects products at the date of printing. Unitronics reserves the right, subject to all applicable laws, at any time, at its sole discretion, and without notice, to discontinue or change the features, designs, materials and other specifications of its products, and to either permanently or temporarily withdraw any of the forgoing from the market.

All information in this document is provided "as is" without warranty of any kind, either expressed or implied, including but not limited to any implied warranties of merchantability, fitness for a particular purpose, or non-infringement. Unitronics assumes no responsibility for errors or omissions in the information presented in this document. In no event shall Unitronics be liable for any special, incidental, indirect or consequential damages of any kind, or any damages whatsoever arising out of or in connection with the use or performance of this information.

The tradenames, trademarks, logos and service marks presented in this document, including their design, are the property of Unitronics (1989) (R"G) Ltd. or other third parties and you are not permitted to use them without the prior written consent of Unitronics or such third party as may own them