

JZ10-11-T10 6 Digital Inputs, 4 Transistor Outputs

JZ10-11-T17 6 Digital, 2 Analog/Digital, 2 Analog Inputs, 7 Transistor Outputs

Jazz™ Micro-OPLC™ Technical Specifications

Power supply

Input voltage 24VDC
 Permissible range 20.4VDC to 28.8VDC with less than 10% ripple
 Current Consumption See Note 1

| | JZ10-11-T10 | JZ10-11-T17 |
|---------------------------|-------------|-------------|
| Max. current consumption | 96mA@24VDC | 98mA@24VDC |
| Typical power consumption | 1.8W | 1.8W |

Notes:

1. If you do not use the LCD backlight, subtract 35mA from the maximum current consumption value.

Digital Inputs

| | JZ10-11-T10 | JZ10-11-T17 |
|------------------|----------------------------|----------------------------------|
| Number of inputs | 6 (one group) – see Note 2 | 8 (two groups) – see Notes 2 & 3 |

Input type pnp (source) or npn (sink)
 Galvanic isolation None
 Nominal input voltage 24VDC
 Input voltage
 pnp (source) 0-5VDC for Logic '0'
 17-28.8VDC for Logic '1'
 npn (sink) 17-28.8VDC for Logic '0'
 0-5VDC for Logic '1'

| | I0-I5 | I6-I7 |
|---------------|----------------|----------------|
| Input current | 3.7mA@24VDC | 1.2mA@24VDC |
| Response time | 10mSec typical | 20mSec typical |

Input cable length Up to 100 meters, unshielded
 High speed inputs Specifications below apply when wired as H.S.C. See Note 4.
 Resolution 16-bit
 Frequency 5kHz maximum
 Minimum pulse width 80µs

Notes:

2. Both JZ10-11-T10 and JZ10-11-T17 comprise I0-I5; these inputs are arranged in a single group. Via wiring, the entire group may be set to either pnp or npn.
3. Only JZ10-11-T17 comprises I6 & I7. These may be wired as either digital or analog inputs, as shown in the JZ10-11-T17 Micro PLC Installation guide. I6 & I7 may be wired as npn, pnp, or 0-10V analog inputs. 1 input may be wired as pnp, while the other is wired as analog. If 1 input is wired as npn, the other may **not** be wired as analog.
4. I0 and I1 can each function as either a high-speed counter or as a normal digital input. When used as a normal digital input, normal input specifications apply.

Digital Outputs

| | | |
|--------------------------|---|----------------|
| Number of outputs | JZ10-11-T10 | JZ10-11-T17 |
| | 4 pnp (source) | 7 pnp (source) |
| Output type | P-MOSFET (open drain) | |
| Isolation | None | |
| Output current | 0.5A maximum | |
| Maximum frequency | 50Hz (resistive load) 0.5Hz (inductive load) | |
| Short circuit protection | Yes | |
| Short circuit indication | No indication | |
| On voltage drop | 0.5VDC maximum | |
| Power supply for outputs | | |
| Operating voltage | 20.4 to 28.8VDC | |
| Nominal voltage | 24VDC | |

Analog Inputs

| | | |
|----------------------------|--|-------------|
| | JZ10-11-T17 only | |
| Number of inputs | 4, according to wiring as described above in Note 3 | |
| | AN0 and AN1 | AN2 and AN3 |
| Input range | 0-20mA, 4-20mA | 0-10VDC |
| Input impedance | 154Ω | 20KΩ |
| Maximum input rating | 30mA | 28.8V |
| Galvanic isolation | None | |
| Conversion method | Successive approximation | |
| Resolution (except 4-20mA) | 10-bit (0 to 1023) | |
| Resolution (at 4-20mA) | 204 to 1023 (820 units) | |
| Conversion time | 20mSec, Synchronized to cycle time | |
| Precision | ± 3% | |
| Status indication | Yes – if an analog input deviates above the permissible range, its value will be 1024. | |
| Input cable length | Up to 10 meters, shielded twisted pair | |

Display

| | |
|------------------------|---|
| Type | STN LCD |
| Illumination backlight | LED, yellow-green, software controlled (LCD backlight; enables the display to be viewed in the dark) |
| Display size | 2 lines, 16 characters long |
| Character size | 5x8 matrix, 2.95x5.55mm |

Keyboard

| | |
|----------------|--|
| Number of keys | 16 keys, including 10 user-labeled keys |
| Key type | Metal dome, sealed membrane switch |
| Slides | Slides are installed under the operating panel faceplate. They label the keys and provide a logo picture. The unit is supplied with a set of slides already installed. A blank set is available by separate order. |

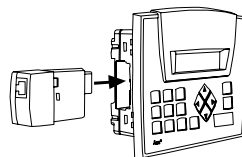
| | |
|--|--|
| Program | See Note 5 |
| Ladder code memory | 24K (virtual) |
| Execution time | 46 μ Sec for bit operations (typical) |
| Memory bits (coils) | 256 |
| Memory integers (registers), 16 bit | 256 |
| Timers | 64 |
| HMI displays | 60 user-designed displays available |
| HMI variables | 64 HMI variables are available to conditionally display text and data. List variables add up to 1.5K's worth of HMI capacity. |

Notes:

- The controller does **not** offer a communication port. In order to download applications, the controller must be installed with an add-on programming port module. Such a module is included in the JZ-PRG programming kit, which is available by separate purchase.

Jazz Jack

| | |
|-----------------|---|
| Insertion point | Enables optional add-on modules. See Note 6 |
|-----------------|---|

**Notes:**

- Add-on modules are available by separate order.

Communication

| | |
|-------------|---|
| GSM-support | Via add-on port module. See Note 7 SMS messages to/from 6 phone GSM numbers, up to 1K of user-designed messages. Supports Remote Access. |
| MODBUS | Supports MODBUS protocol, Master-Slave |
| Baud rate | According to add-on port module |

Notes:

- In order to enable communications, an add-on module containing a COM port must be plugged into the Jazz jack. The module included in the JZ-PRG programming kit may be used to communicate with external devices, if the device provides active RS232 voltage signals for purposes of power supply. For more details, see the JZ-PRG Installation Guide.

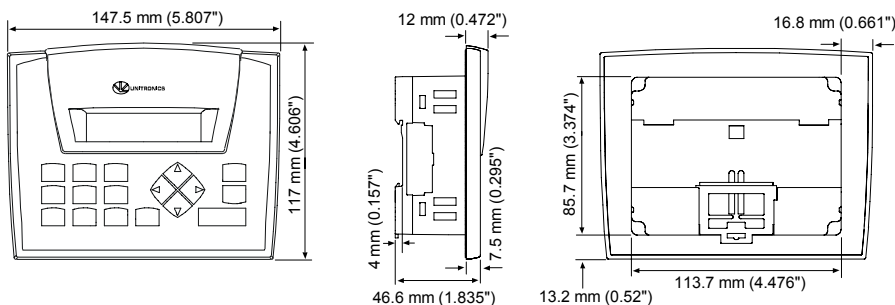
Miscellaneous

| | |
|-----------------|--|
| Clock (RTC) | Real-time clock functions (date and time). |
| Battery back-up | 10 years typical at 25°C, battery back-up for RTC and system data, including variable data |

Environmental

| | |
|------------------------|--|
| Operating temperature | 0° to 50°C (32° to 122°F) |
| Storage temperature | -20° to 60° C (-4° to 140°F) |
| Relative humidity (RH) | 10% to 95% (non-condensing) |
| Mounting method | Panel mounted (IP65/NEMA4X) DIN-rail mounted (IP20/NEMA1) |

Dimensions



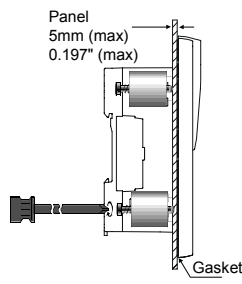
Weight

| JZ10-11-T10 | JZ10-11-T17 |
|---------------|---------------|
| 272g (9.6 oz) | 278g (9.8 oz) |

Mounting

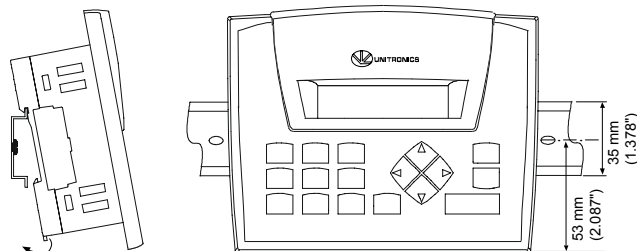
Panel mounting

Insert into cut-out:
117 x 89mm (WxH)
4.606"x 3.504"



DIN-rail mounting

Snap unit onto the DIN rail



Under no circumstances will Unitronics (1989) (R'G) LTD. be liable or responsible for any consequential damage that may arise as a result of installation or use of this equipment, and is not responsible for problems resulting from improper use of this device. No part of this document may be used for any purpose other than for the purposes specifically indicated herein nor may it be reproduced or transmitted in any form or by any means, electronic or mechanical, including photocopying and/or recording, for any purpose without written permission from Unitronics. The information appearing in this document is for general purposes only. Unitronics makes no warranty of any kind with regard to the information appearing in this document, including, but not limited to, implied warranties of merchantability and/or fitness for a particular use or purpose. Unitronics assumes no responsibility for the results of any misuse of the information appearing in this document nor for any use of the Unitronics products referred to herein in any manner deviating from the recommendations made in this document. Unitronics assumes no responsibility for the use of any parts, components, or other ancillary appliances including circuitry other than as recommended hereunder or other than that embodied in the Unitronics product. Unitronics retains all rights to its proprietary assets including, but not limited to its software products which are copyrighted and shall remain the property of Unitronics. Copyright protection claimed includes all forms and matters of copyrightable materials and information legally allowed including but not limited to material generated from the software programs which are displayed on the screen of the Unitronics products such as styles, templates, icons, screen displays, looks, etc. OPLC, Vision, VisiLogic and Jazz are Unitronics trademarks. Duplication and/or any unauthorized use thereof are strictly prohibited without prior written permission from Unitronics. All brand or product names are used for identification purpose only and may be trademarks or registered trademarks of their respective holders. Unitronics reserves the right to revise this publication from time to time and to amend its contents and related hardware and software at any time. Technical updates (if any) may be included in subsequent editions (if any). Unitronics product sold hereunder can be used with certain products of other manufacturers at the user's sole responsibility.