

IO-DI8-RO8, IO-DI8-RO8-L I/O Expansion Modules 8 Inputs, 8 Outputs

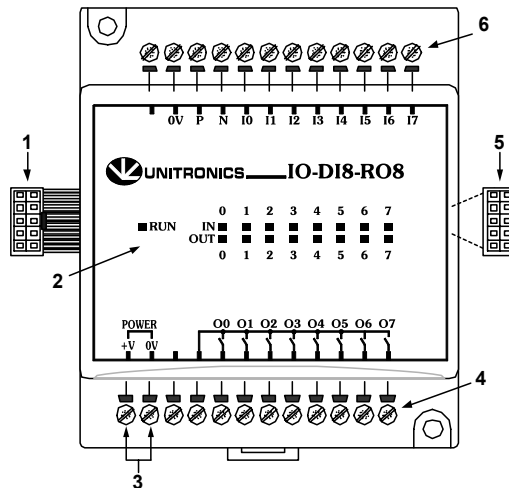
The IO-DI8-RO8 and IO-DI8-RO8-L are I/O expansion modules that can be used in conjunction with specific Unitronics OPLC controllers.

The modules are identical except for their voltage specifications: IO-DI8-RO8 runs at 24 VDC; IO-DI8-RO8-L at 12 VDC.

Both modules offer 8 digital inputs, type pnp/npn (source/sink), and 8 relay outputs.

The interface between a module and the OPLC is provided by an adapter.

These modules may either be snap-mounted on a DIN rail, or screw-mounted onto a mounting plate.



Component identification

1	Module-to-module connector
2	Status indicators
3	Connection points for power supply to outputs
4	Output connection points
5	Module-to-module connector port
6	Input connection points

- Before using this product, it is the responsibility of the user to read and understand this document and any accompanying documentation.
- All examples and diagrams shown herein are intended to aid understanding, and do not guarantee operation. Unitronics accepts no responsibility for actual use of this product based on these examples.
- Please dispose of this product in accordance with local and national standards and regulations.
- Only qualified service personnel should open this device or carry out repairs.

User safety and equipment protection guidelines

This document is intended to aid trained and competent personnel in the installation of this equipment as defined by the European directives for machinery, low voltage, and EMC. Only a technician or engineer trained in the local and national electrical standards should perform tasks associated with the device's electrical wiring.

Symbols are used to highlight information relating to the user's personal safety and equipment protection throughout this document. When these symbols appear, the associated information must be read carefully and understood fully.

Symbol	Meaning	Description
	Danger	The identified danger causes physical and property damage.
	Warning	The identified danger can cause physical and property damage.
Caution	Caution	Use caution.



- Failure to comply with appropriate safety guidelines can result in severe personal injury or property damage. Always exercise proper caution when working with electrical equipment.



- Check the user program before running it.
- Do not attempt to use this device with parameters that exceed permissible levels.
- Install an external circuit breaker and take appropriate safety measures against short-circuiting in external wiring.
- To avoid damaging the system, do not connect / disconnect the device when the power is on.

Environmental Considerations



- Do not install in areas with: excessive or conductive dust, corrosive or flammable gas, moisture or rain, excessive heat, regular impact shocks or excessive vibration.

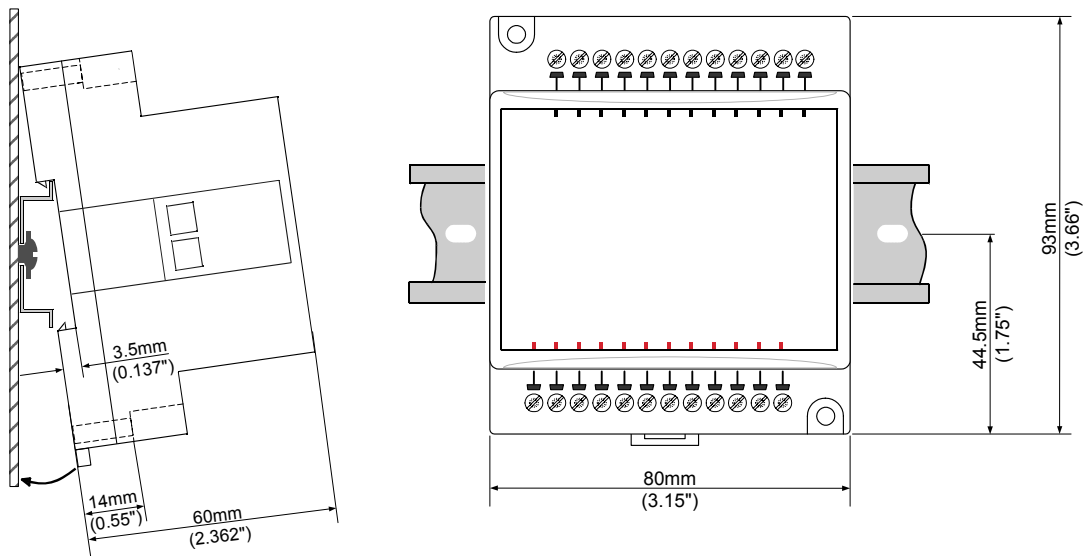


- Leave a minimum of 10mm space for ventilation between the top and bottom edges of the device and the enclosure walls.
- Do not place in water or let water leak onto the unit.
- Do not allow debris to fall inside the unit during installation.

Mounting the Module

DIN-rail mounting

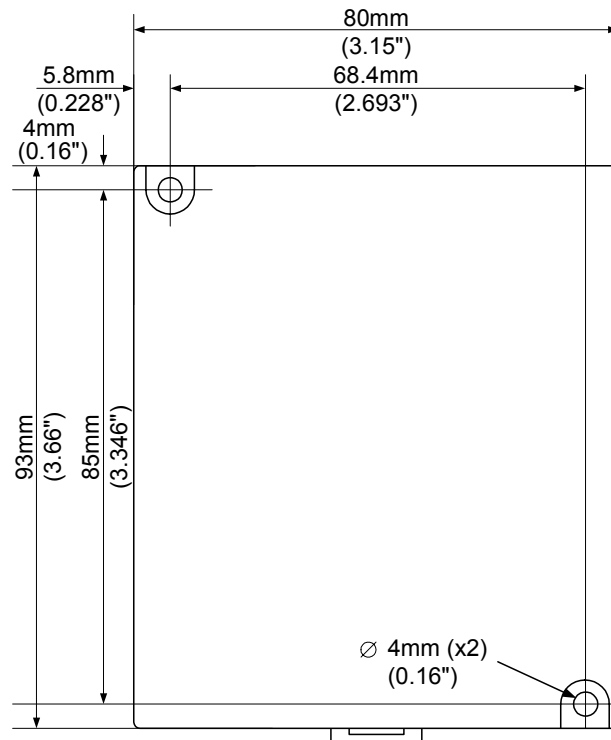
Snap the device onto the DIN rail as shown below; the module will be squarely situated on the DIN rail.



Screw-Mounting

The figure below is not drawn to scale. It may be used as a guide for screw-mounting the module.

Mounting screw type: either M3 or NC6-32.



Connecting Expansion Modules

An adapter provides the interface between the OPLC and an expansion module. To connect the I/O module to the adapter or to another module:

1. Push the module-to-module connector into the port located on the right side of the device.

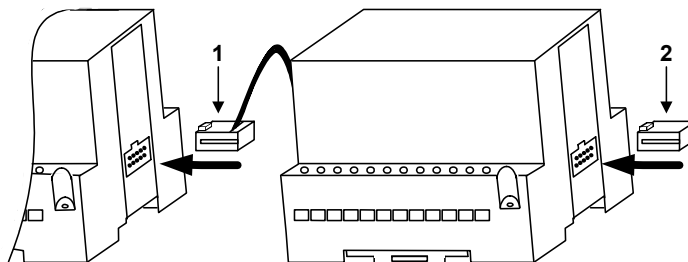
Note that there is a protective cap provided with the adapter. This cap covers the port of the **final** I/O module in the system.



- To avoid damaging the system, do not connect or disconnect the device when the power is on.

Component identification

1	Module-to-module connector
2	Protective cap



Wiring



- Do not touch live wires.



- Unused pins should not be connected. Ignoring this directive may damage the device.
- Do not connect the 'Neutral' or 'Line' signal of the 110/220VAC to the device's 0V pin.
- Double-check all wiring before turning on the power supply.

Wiring Procedures

Use crimp terminals for wiring; use 26-12 AWG wire (0.13 mm²–3.31 mm²) for all wiring purposes.

1. Strip the wire to a length of 7±0.5mm (0.250–0.300 inches).
2. Unscrew the terminal to its widest position before inserting a wire.
3. Insert the wire completely into the terminal to ensure that a proper connection can be made.
4. Tighten enough to keep the wire from pulling free.

- To avoid damaging the wire, do not exceed a maximum torque of 0.5 N·m (5 kgf·cm).
- Do not use tin, solder, or any other substance on stripped wire that might cause the wire strand to break.
- Install at maximum distance from high-voltage cables and power equipment.

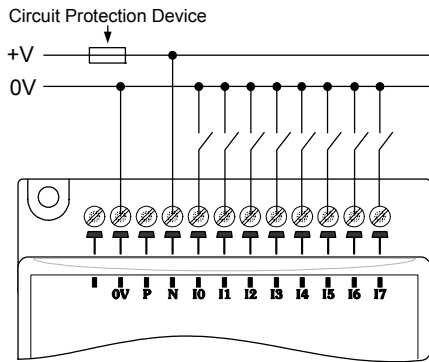
I/O Wiring—General

- Input or output cables should not be run through the same multi-core cable or share the same wire.
- Allow for voltage drop and noise interference with input/output lines used over an extended distance. Use wire that is properly sized for the load.
- The adapter and I/O signals must be connected to the same 0V signal.

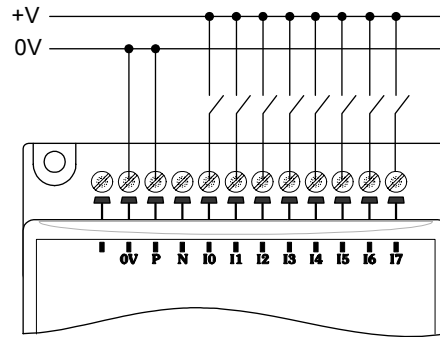
Digital I/Os

- Inputs may be wired as either pnp (source) or npn (sink) inputs.

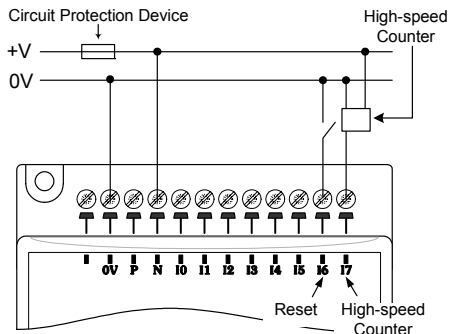
npn (sink) inputs



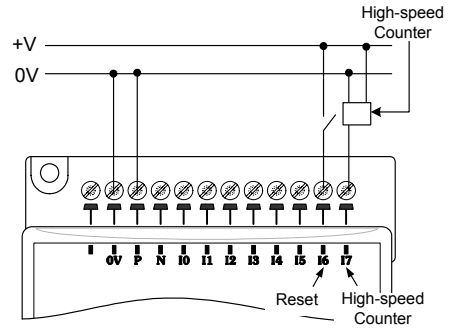
pnp (source) inputs



npn (sink)
high-speed counter/frequency measurer



pnp (source)
high-speed counter/frequency measurer

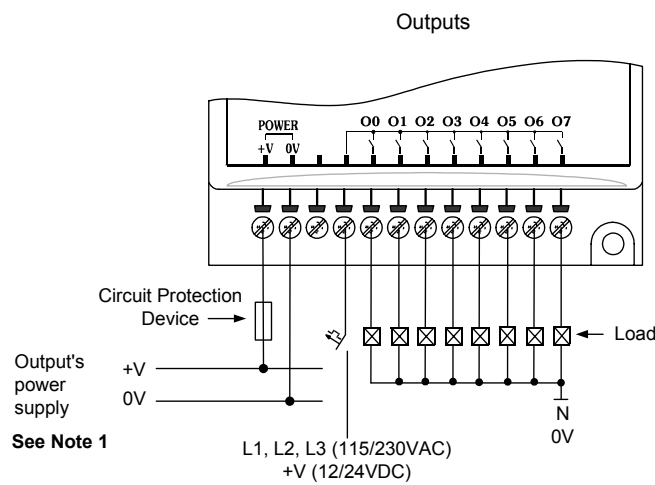


Wiring the Outputs' Power Supply

Wiring DC supply

- 1 Connect the "positive" cable to the "+V" terminal, and the "negative" to the "0V" terminal.
 - A non-isolated power supply can be used provided that a 0V signal is connected to the chassis.
 - Do not connect the 'Neutral' or 'Line' signal of the 110/220VAC to the device's 0V pin.
 - In the event of voltage fluctuations or non-conformity to voltage power supply specifications, connect the device to a regulated power supply.

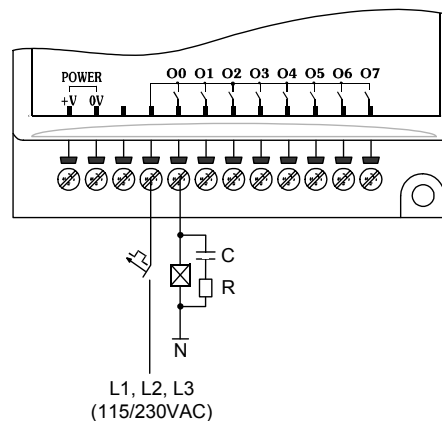
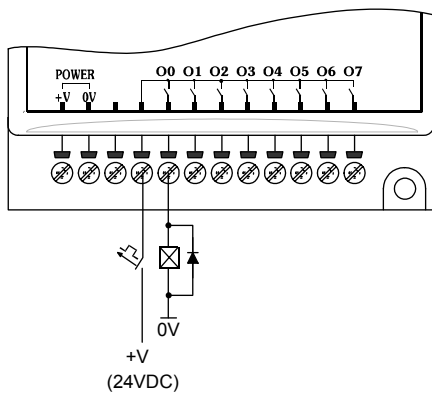
Notes: 1. The adapter and output's power supply must be connected to the same 0V signal.



Increasing Contact Life Span

Both modules have 8 relay outputs. To increase the life span of these contacts and protect the module from potential damage by reverse EMF, connect:

- a clamping diode in parallel with each inductive DC load,
- an RC snubber circuit in parallel with each inductive AC load.



IO-DI8-RO8, IO-DI8-RO8-L Technical Specifications

Max. current consumption	70mA maximum from the adapter's 5VDC
Typical power consumption	0.18W @ 5VDC
Status indicator (RUN)	Green LED: —Lit when a communication link is established between module and OPLC. —Blinks when the communication link fails.

Inputs

Number of inputs	8 (in one group)	
Input type	pnp (source) or npn (sink)	
Galvanic isolation	None	
Status indicators(IN)	Green LEDs—Lit when the corresponding input is active. See Note 1.	
Nominal input voltage	24VDC for IO-DI8-RO8, 12VDC for IO-DI8-RO8-L	
Input voltage	IO-DI8-RO8	IO-DI8-RO8-L
pnp (source)	0-5VDC for Logic '0' 17-28.8VDC for Logic '1'	0-3VDC for Logic '0' 8-15.6V for Logic '1'
npn (sink), voltage/current	17-28.8VDC/<1.1 mA for Logic '0' 0-5VDC/>4.3mA for Logic '1'	8-15.6VDC/<1.1 mA for Logic '0' 0-3VDC/>4.3mA for Logic '1'
Input current	6mA@24VDC	6mA@12VDC
Response time	10mSec typical	
Input #7	The specifications below apply when this input is wired for use as a high-speed counter input/frequency measurer. See Notes 2 and 3.	
Resolution	16-bit	
Frequency	5kHz maximum	
Minimum pulse width	80µs	

Outputs

Number of outputs	8 relay
Output type	SPST-NO (Form A) All relays share a common signal
Isolation	By relay
Type of relay	
IO-DI8-RO8	Tyco PCN-124D3MHZ or compatible
IO-DI8-RO8-L	Tyco PCN-112D3MHZ or compatible
Output current	3A maximum per output (resistive load) 8A maximum total for common (resistive load).
Rated voltage	250VAC / 30VDC
Minimum load	1mA@5VDC
Life expectancy	100k operations at maximum load
Response time	10mS (typical)
Status Indicators (OUT)	Red LEDs—Lit when the corresponding output is active.
Contact protection	External precautions required (see above: Increasing Contact Life Span)

Outputs' power supply: IO-DI8-RO8

Nominal operating voltage	24VDC
Operating voltage	20.4 to 28.8VDC
Maximum current consumption	70mA@24VDC

IO-DI8-RO8, IO-DI8-RO8-L I/O Expansion Modules**5/05**Outputs' power supply: IO-DI8-RO8-L

Nominal operating voltage	12VDC
Operating voltage	10.2 to 15.6VDC
Maximum current consumption	90mA@12VDC

Environmental	IP20 / NEMA1
Operating temperature	0° to 50°C (32° to 122°F)
Storage temperature	-20° to 60° C (-4° to 140°F)
Relative Humidity (RH)	5% to 95% (non-condensing)
Dimensions (WxHxD)	80mm x 93mm x 60mm (3.15" x 3.66" x 2.362")
Weight	172g (6.07oz.)
Mounting	Either onto a 35mm DIN-rail or screw-mounted.

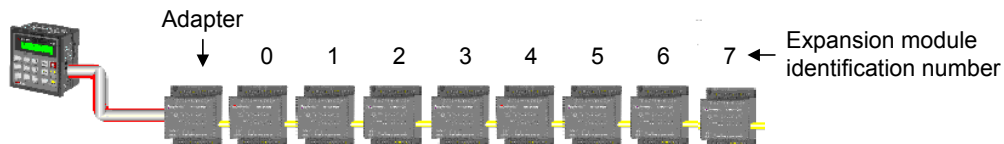
Notes:

1. The inputs' LEDs light up only when communication link is established between module and OPLC.
2. Input #7 can function either as a high-speed counter, a frequency measurer, or as a normal digital input. When Input #7 is used as a normal digital input, normal input specifications apply.
3. Input #6 can function either as the counter's reset, or as a normal digital input; in either case, its specifications are those of a normal digital input.

Addressing I/Os on Expansion Modules

Inputs and outputs located on I/O expansion modules that are connected to an OPLC are assigned addresses that comprise a letter and a number. The letter indicates whether the I/O is an input (I) or an output (O). The number indicates the I/O's location in the system. This number relates to both the position of the expansion module in the system, and to the position of the I/O on that module.

Expansion modules are numbered from 0-7 as shown in the figure below.



The formula below is used to assign addresses for I/O modules used in conjunction with the OPLC.

X is the number representing a specific module's location (0-7). Y is the number of the input or output on that specific module (0-15).

The number that represents the I/O's location is equal to:

$$32 + x \cdot 16 + y$$

Examples

- Input #3, located on expansion module #2 in the system, will be addressed as I 67,
67 = 32 + 2 • 16 + 3
- Output #4, located on expansion module #3 in the system, will be addressed as O 84,
84 = 32 + 3 • 16 + 4.