

PRODUCTS:

SG2-8ER-D/8ET-D/8ER-12D/8ET-12D

SG2-8ER-A/8ER-24A

SG2-4AI

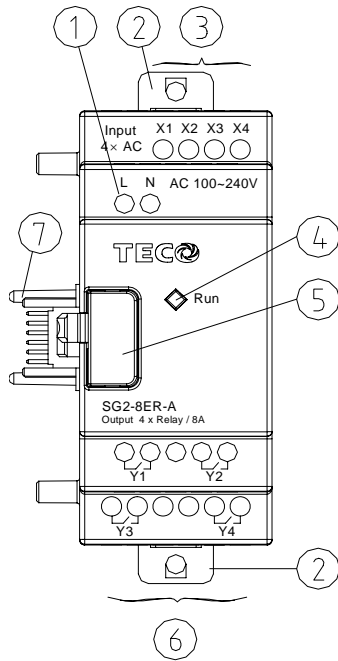
WARN:

Unintentional equipment operation.

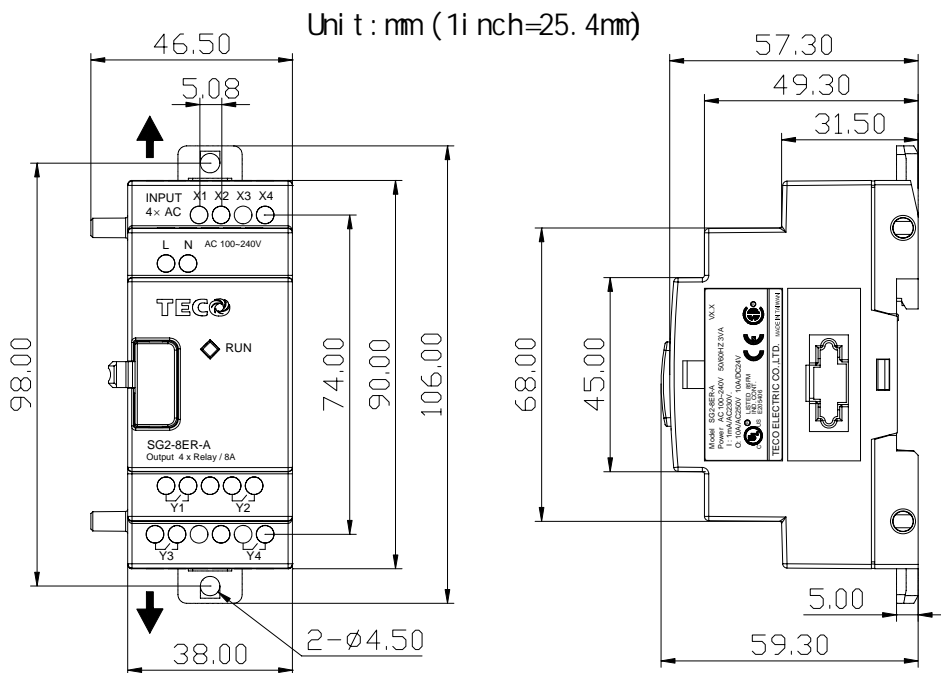
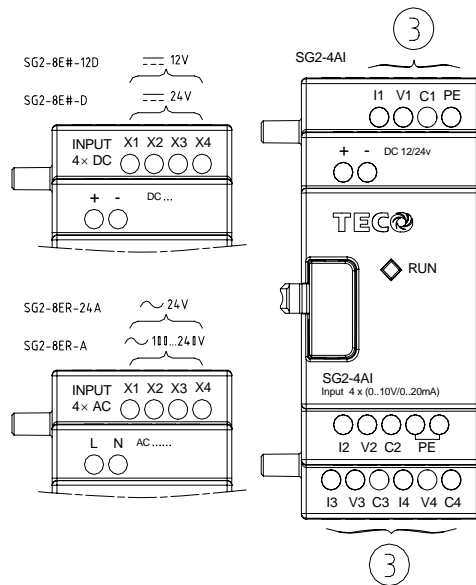
The application of this product requires know-how in design and program of control system.

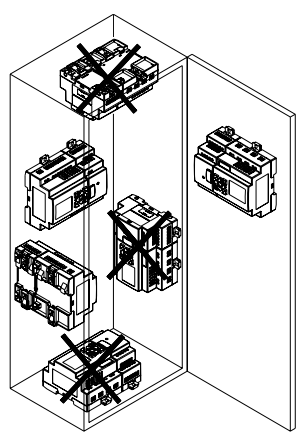
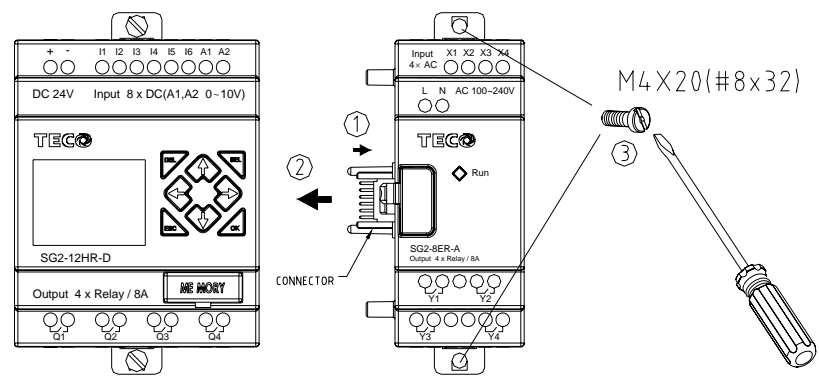
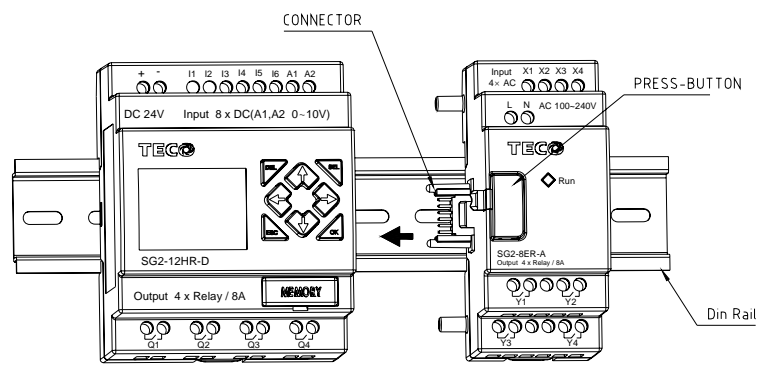
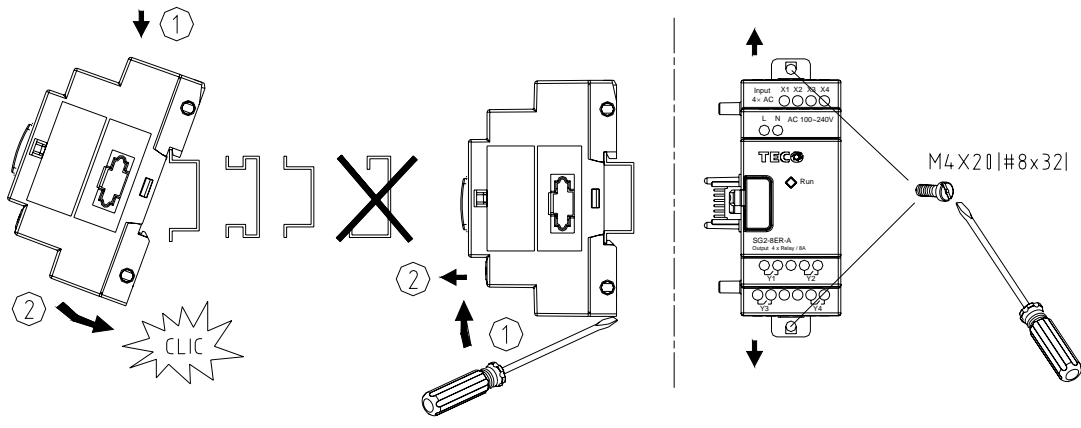
Only persons qualified are allowed to program, install and apply this product.

Failure to follow this instruction will result in death, serious injury or equipment damage.



- ① Power supply terminals
- ② Retractable mounting feet
- ③ Input terminal
- ④ Voltage/Operating mode green signaling LED
- ⑤ Press-button
- ⑥ Relay output terminals
- ⑦ Connector

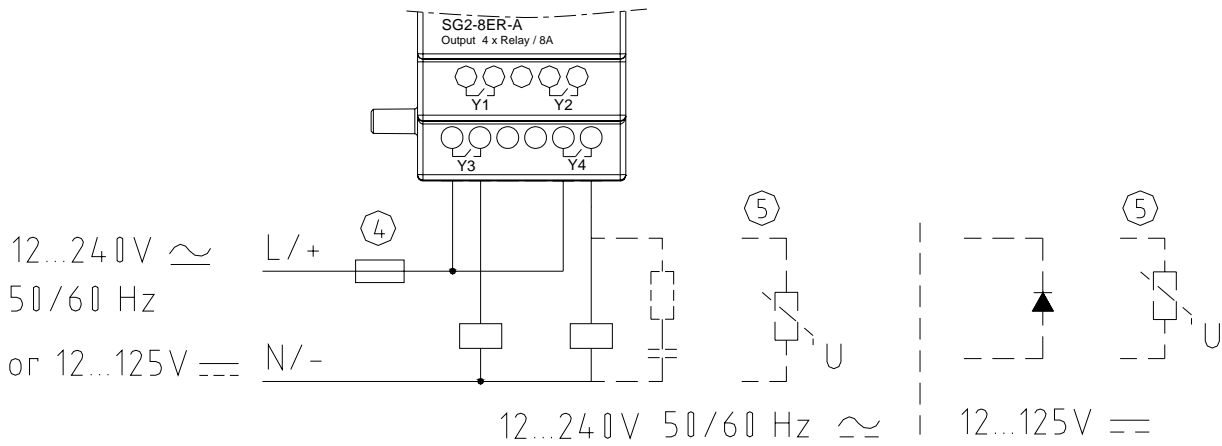




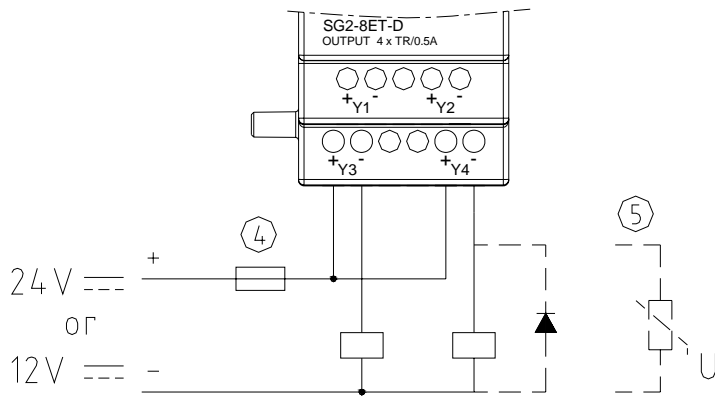
mm ²	0.14...1.5	0.14...0.75	0.14...2.5	0.14...2.5	0.14...1.5
AWG	26...16	26...18	26...14	26...14	26...16
 Ø 3.5 (0.14in)					
			lb-in	5.4	

DANGER:
HAZARDOUS VOLTAGE
 Cut off all power before maintenance.
Electric shock will result in death or serious injury.

Output (Relay):



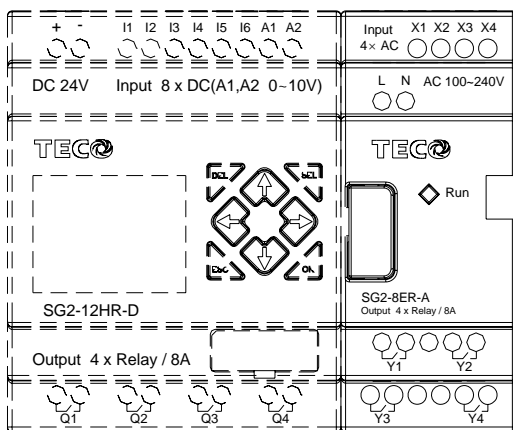
Output (Transistor):



efesotomasyon.com

- ①- 1A quick-blowing fuse, circuit-breaker or circuit protector
- ②- Surge absorber(36V DC)
- ③- Surge absorber(400V AC)
- ④- Fuse, circuit-breaker or circuit protector
- ⑤- Inductive load

Following is what the LED working in different state means:



◆	Product switched on, module in run mode
◆	Fast flashing (3Hz), module in Fault mode - Date transfer error - Connecting with front error