

# DN-CSC595/2 DeviceNet - S5-PLC Interface Module

- Direct interface between PLC and DeviceNet I/O modules
- Decentralized connection of analog and digital data to PLC

### PLC Connection

The communication processor DN-CSC595 enables a direct interface between SIEMENS PLCs of types S5-95U, S5-100U or ET-100 respectively and DeviceNet I/O modules or other DeviceNet users.

With this it is also possible to perform a fast process data connection to VMEbus systems or to other PLC units.

To the PLC programmer the module offers a total process data transparency. There are no additional functions or data components necessary, so PLC programs run as usual.

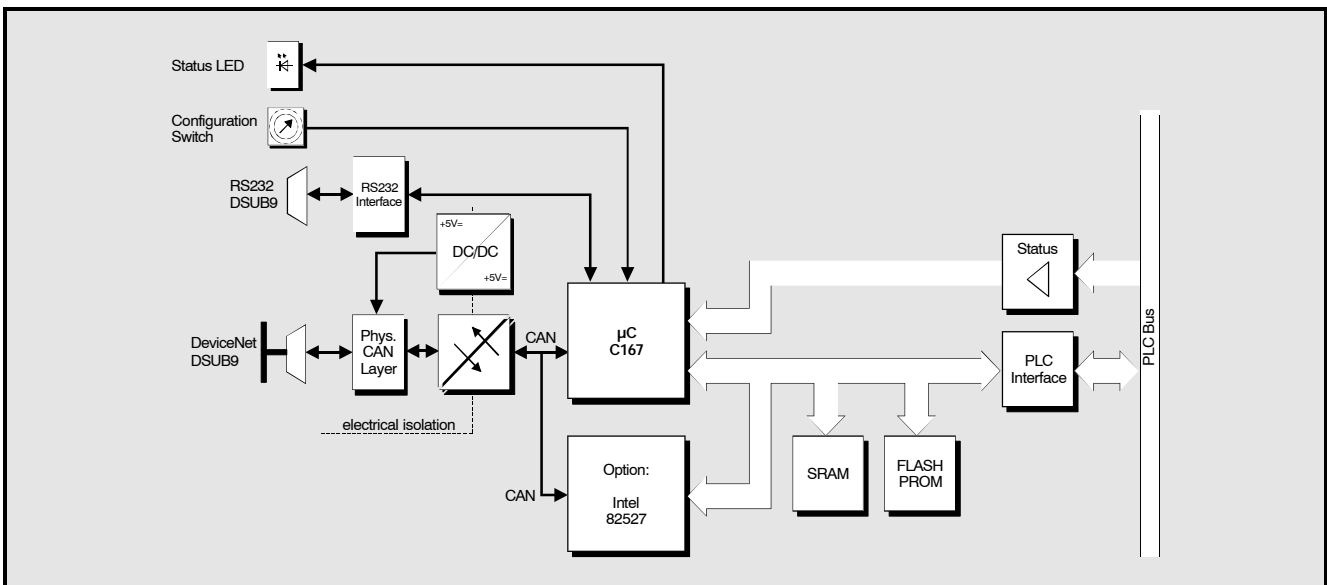


### Fast Microcontroller

The DN-CSC595 operates with a microcontroller C167C with integrated CAN interface that is used to realize the DeviceNet interface.

All DeviceNet bitrates are supported. The interface is electrically isolated by opto-couplers.

The configuration can be done via a RS-232 interface by means of the software. The settings are stored in the local EEPROM.



### Technical Specifications:

#### PLC interfacing:

PLC type:	Siemens SIMATIC S5 S5-95U, S5-100U, ET-100
Microcontroller:	C167C / 20 MHz
Interface:	via dual-ported RAM

#### DeviceNet:

Controller:	C167C
Interface:	electrically isolated, all DeviceNet bitrates are supported
Diagnostic LED:	module status displayed by green LED

#### General:

Ambient temperature:	0...50 °C
Humidity:	max. 90 %, non-condensing
Module operat. voltage:	rated value 9 VDC

#### General (continued):

Power consumption:	typ. 250 mA
Connector types:	DeviceNet: 9-pole DSUB (male contacts) RS-232: 9-pole DSUB (female contacts)
Case:	compatible to SIMATIC S5 bus module

#### Order information:

Designation		order no.:
DN-CSC595/2	Interface DeviceNet/S5-PLC	C.2902.07
DN-CSC595/2-ME	English user's manual DeviceNet	C.2902.25