

INCREMENTAL
SHAFT TYPE

S48 Series

- Features : Various resolution, 10~6000 P/R(31 class)
Wide ranging power voltage, Customized design,
Prompt delivery

Rotary Encoder

Model

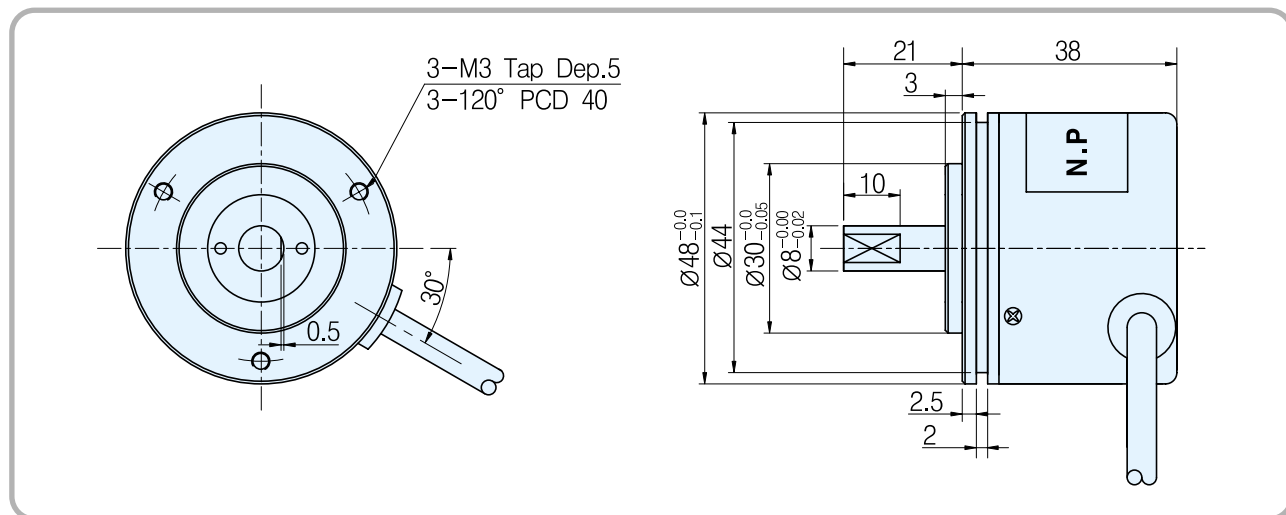
INCREMENTAL
SHAFT TYPE
Outer Diameter Ø48
Shaft Size
8: Ø8

S48 - 8 - [] [] [] [] - [] [] - []

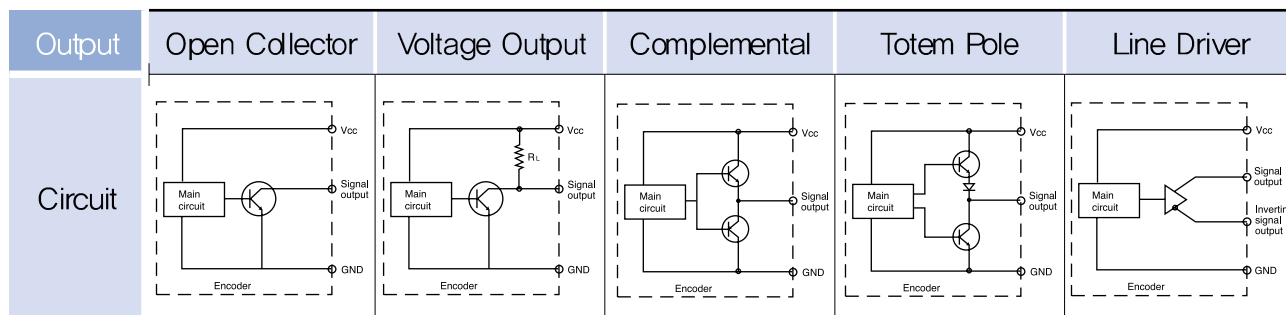
Resolution(P/R)	Output Signal	Output Form	Cable Length
0010 0030 0048 0050 0060	B : A, B	O : Open Collector	1 : 1[M]
0072 0075 0100 0120 0125	Z : A, B, Z	V : Voltage Output	2 : 2[M]
0192 0200 0250 0256 0300	U : A, \bar{A} , B, \bar{B}	C : Complemental	3 : 3[M]
0360 0400 0500 0512 0600	V : A, \bar{A} , B, \bar{B} , Z, \bar{Z}	T : Totem Pole	4 : 5[M]
0720 1000 1024 1200 2000		L : Line Driver	5 : 10[M]
2048 2500 3000 3600 5000			
6000			

⚠ Respec of power may be different depending on the type of output and be sure to check the electric spec.

External Dimension



Output Circuit



Electrical Spec.

Output type	Open Collector	Voltage Output	Complemental	Totem Pole	Line Driver
Power Supply	DC +5[V] ~ +24[V] Ripple p-p : less than 5%	DC +5[V] ~ +24[V] Ripple p-p : less than 5%	DC +15[V], +24[V] Ripple p-p : less than 5%	DC +5[V] ~ 24[V] Ripple p-p : less than 5%	DC +5[V] Ripple p-p : less than 5%
Consuming Current (In case of no load)	70mA Max	70mA Max	150mA Max	150mA Max	150mA Max
Maximum Response Frequency	150 KHz (10 ~ 2048 P/R) / 300 KHz (2500 ~ 6000 P/R)				
Output voltage	Less than V _i 0.5[V] / More than V _i 2.5[V] (In case of inputting +5V) / More than V _i 10[V] (In case of inputting +15V) / More than V _i 18[V] (In case of inputting +24V)				
Output current	Less than 20mA	Less than 20mA	Less than 10mA	Less than 10mA	Less than 20mA
Rising, decline time	Less than 3μs	Less than 3μs	Less than 1μs	Less than 1μs	Less than 0.1μs
Common conditions	In case that the cable length of output side is 1[M] and load resistance is less than 1[kΩ]				

* The pulse is available up to 3,600P/R for Complemental type
* In case of more than 5,000P/R, the input power should be +5[V]~+15[V](Except Line driver)

Mechanical Spec.

Starting Torque	80g - cm Max
Maximum number of revolution	6000 rpm
Bearing lifetime	27,000[hr](In case of rotating by 5000rpm)
Allowable Shaft Load	Radial : 2.5kg Max Axial : 1.3kg Max
Position deflection of allowable shaft	Radial : Less than 0.05 mm Axial : Less than 0.2mm
Connection Table	4P(AWG26) Shield CABLE
weight	206g

Rigid Spec.

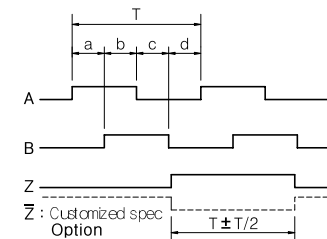
Operating Temp. Range	-10°C ~ +70°C (No freezing)
Preserving temp	-20°C ~ +85°C
Using humidity	35% ~ 85% RH
Preserving Humidity	30% ~ 90% RH
Internal Vibration	5G
Internal Shock	100G
Degree of Protection	IP 50

Output Phase Shift

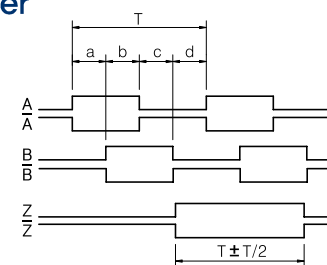
CW → Clockwise viewed from shaft end
 $a + b, c + d = T/2 \pm T/10$
 $a, b, c, d = T/4 \pm T/10$



Open Collector, Voltage Output Complemental, Totem Pole



Line Driver



Connection Table

Cable's Color	Connection Table	
Output Form	Open Collector Voltage Output Complemental Totem Pole	Line Driver
Red	Vcc	Vcc
Black	GND	GND
Green	A Sig	A Sig
Blue	-	\bar{A} Sig
White	B Sig	B Sig
Pink	-	\bar{B} Sig
Yellow	Z Sig	Z Sig
Orange	-	\bar{Z} Sig
Shield	CASE Shield	CASE Shield