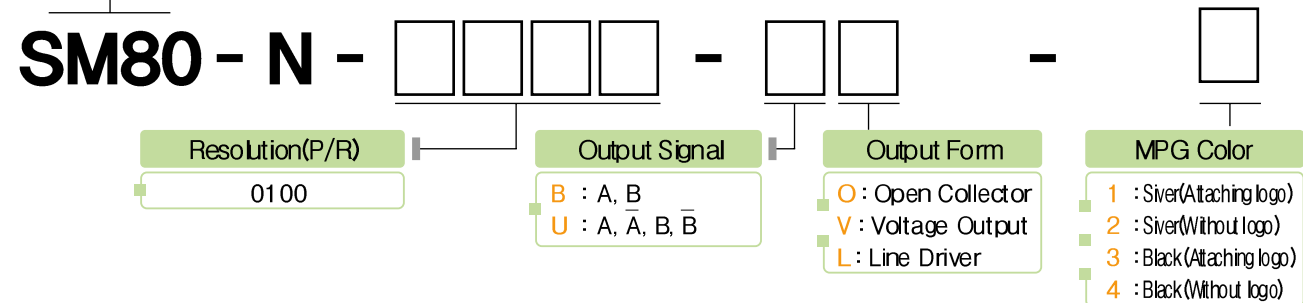


SM80 Series

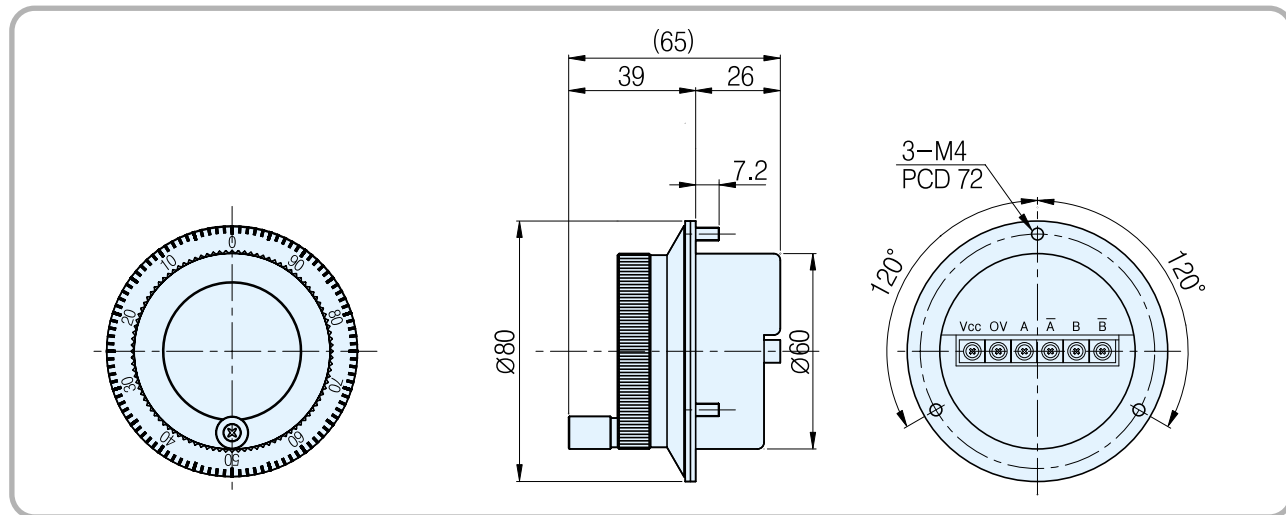
- Features : NC tooling machine, Industrial application
- High reliability, Customized logo can be available
- Half permanent durability

Model

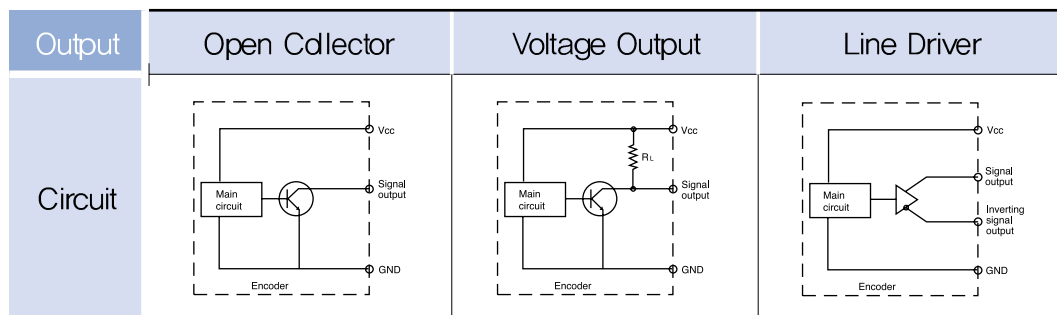
MANUAL
PULSE GENERATOR
Outer Diameter Ø80



External Dimension



Output Circuit



Electrical Spec.

Output type	Open Collector	Voltage Output	Line Driver
Power Supply	DC +5[V] Ripple p-p : less than 5%		
Consuming Current (In case of no load)	70mA Max	70mA Max	150mA Max
Maximum Response Frequency	5 KHz MAX	5 KHz MAX	5 KHz MAX
Output voltage	Less than V _i 0.5[V] / More than V _i 2.5[V]		
Output current	Less than 20mA	Less than 20mA	Less than 20mA
Rising, decline time	Less than 0.1μs	Less than 0.1μs	Less than 0.1μs
Common conditions	In case that the cable length of output side is 1[M] and load resistance is less than 1[kΩ]		

Mechanical Spec.

Starting Torque	50g - cm Max
Maximum number of revolution	600 rpm
Bearing lifetime	50,000[hr](In case of rotating by 600rpm)
Connection Table	6P board
weight	600g

Rigid Spec.

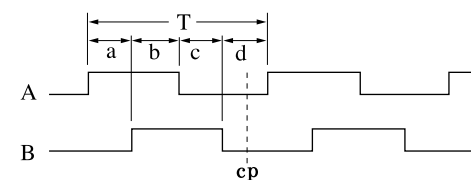
Operating Temp. Range	-10°C ~ +70°C (No freezing)
Preserving temp	-20°C ~ +85°C
Using humidity	35% ~ 80% RH
Preserving Humidity	30% ~ 85% RH
Internal Vibration	5G
Internal Shock	50G
Degree of Protection	IP 50

Output Phase Shift

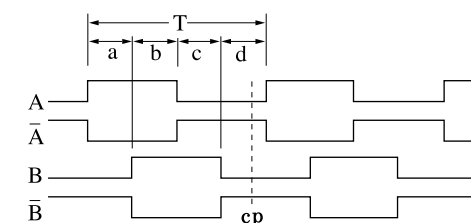
CW → Clockwise viewed from shaft end
 $a + b, c + d = T/2 \pm T/8$
 $a, b, c, d = T/4 \pm T/8$



Open Collector, Voltage Output



Line Driver



Color	Silver	Black
The logo can be attached and detached		

Connection Table

