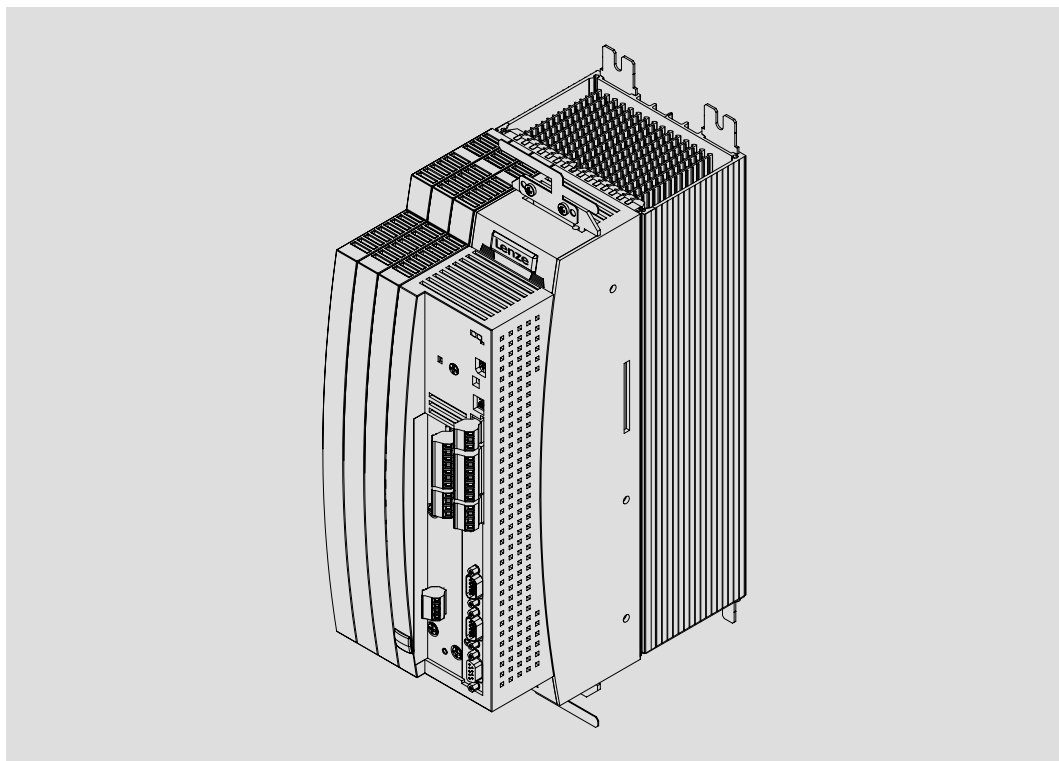


# Global Drive



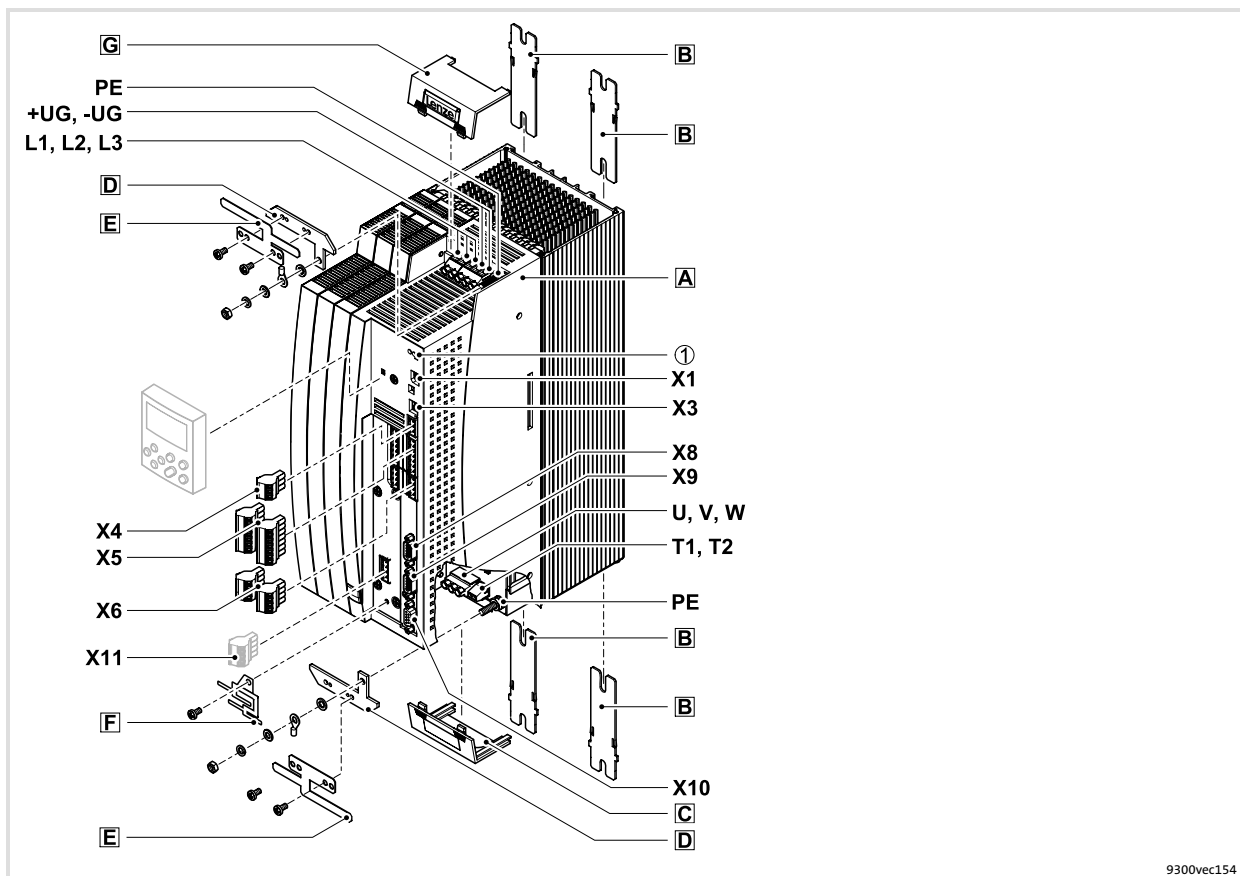
Information for the operator of the machine

## 9300 vector *0.37 ... 11 kW*



EVF9321-xV ... EVF9326-xV

Frequency inverter



## Key for overview

Position	Description
A	Controller
B	Fixing rails for standard mounting
C	Cover for the motor connection
D	Shield connection support with fixing screws (2 items) 1 support for the shield sheet for the supply connections 1 support for the shield sheet for the motor cable
E	EMC shield sheet with fixing screws (2 items) 1 shield sheet for the supply connections 1 shield sheet for the motor cable and the feed cable for the motor temperature monitoring with PTC thermistor or thermal contact (NC contact)
F	EMC shield sheet with fixing screws for shielded control cables
G	Cover for the supply connections

## Connections and interfaces

Position	Description
L1, L2, L3, PE	Mains connection
+UG, -UG	DC supply
U, V, W, PE	Motor connection
T1, T2	Connection of PTC thermistor or thermal contact (NC contact) of the motor
X1	AIF interface (automation interface) Slot for communication module (e. g. XT EMZ9371BC keypad)
X3	Jumper for setting analog input signal at X6/1, X6/2
X4	System bus (CAN) connection
X5	Connection of digital inputs and outputs
X6	Connection of analog inputs and outputs
X8	Connection of incremental encoder with TTL level or SinCos encoder and KTY temperature sensor of the motor
X9	Connection of digital frequency input signal
X10	Connection of digital frequency output signal
X11	Connection of K <sub>SR</sub> relay output for "safe standstill" (for variants V004 and V024 only)

## Status displays

Position	LED red	LED green	Operating status
①	Off	On	Controller is enabled
	On	On	Mains is switched on and automatic start is inhibited
	Off	Blinking slowly	Controller is inhibited
	Off	On	Motor data identification is active
	Blinking quickly	Off	Undervoltage or overvoltage
	Blinking slowly	Off	Active fault

# i Contents

<b>1</b>	<b>About this documentation</b> .....	<b>5</b>
1.1	Document history .....	5
1.2	Target group .....	5
1.3	Validity information .....	6
1.4	Conventions used .....	7
1.5	Notes used .....	8
<b>2</b>	<b>Safety instructions</b> .....	<b>9</b>
2.1	General safety and application notes for Lenze controllers .....	9
2.2	Thermal motor monitoring .....	12
2.2.1	Description .....	12
2.2.2	Parameter setting .....	13
2.3	Residual hazards .....	14
2.4	Safety instructions for the installation according to UL or UR .....	16
<b>3</b>	<b>Parameter setting</b> .....	<b>17</b>
3.1	Parameter setting with the XT EMZ9371BC keypad .....	17
3.1.1	General data and operating conditions .....	17
3.1.2	Installation and commissioning .....	18
3.1.3	Display elements and function keys .....	19
3.1.4	Changing and saving parameters .....	21
3.1.5	Loading a parameter set .....	22
3.1.6	Transferring parameters to other standard devices .....	23
3.1.7	Activating password protection .....	25
3.1.8	Diagnostics .....	26
3.1.9	Menu structure .....	27
<b>4</b>	<b>Troubleshooting and fault elimination</b> .....	<b>29</b>
4.1	Display of operating data, diagnostics .....	29
4.1.1	Display of operating data .....	29
4.1.2	Diagnostics .....	31
4.2	Troubleshooting .....	32
4.2.1	Status display via LEDs at the controller .....	32
4.2.2	Fault analysis with the history buffer .....	33
4.3	Drive behaviour in the event of faults .....	34
4.4	Fault elimination .....	35
4.4.1	Drive errors .....	35
4.4.2	Controller in clamp operation .....	36
4.4.3	Behaviour in case of overvoltage in the DC bus (OU message) .....	37
4.5	System error messages .....	39
4.5.1	General error messages .....	39
4.5.2	Resetting system error messages .....	43

## 1 About this documentation



### Note!

This documentation contains all the information required by the machine operator to run the drive controllers of the 9300 vector series installed in your machine/system.

You may make further use of the information contained in this documentation without asking Lenze for permission if you do not change the contents.

### 1.1 Document history

#### What is new / what has changed?

Material number	Version			Description
13330574	2.0	03/2010	TD14	New edition due to reorganisation of the company UL-warnings updated Revision for software version 8x
13217739	1.0	07/2007	TD23	First edition



### Tip!

Documentation and software updates for further Lenze products can be found on the Internet in the "Services & Downloads" area under <http://www.Lenze.com>

### 1.2 Target group

This documentation is intended for qualified personnel according to IEC 364.

Qualified, skilled personnel are persons who have the qualifications necessary for the work activities to be undertaken during the assembly, installation, commissioning, and operation of the product.

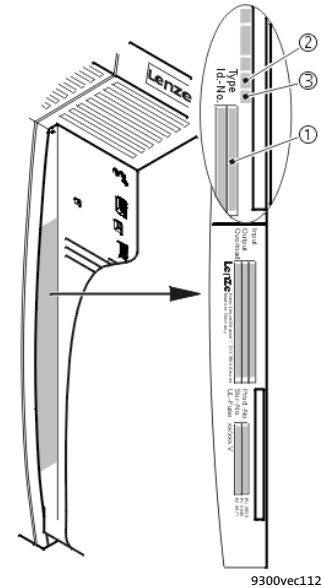
# 1 About this documentation

## Validity information

### 1.3 Validity information





... 9300 vector frequency inverters as of nameplate data:

	①	②	③	Nameplate																					
	EVF	93xx	- x V Vxxx	1x 8x																					
<b>Product series</b>	EVF = Frequency inverter																								
<b>Type no. / rated power</b>	<table border="1"> <tr> <td></td> <td>400 V</td> <td>480 V</td> </tr> <tr> <td>9321 =</td> <td>0.37 kW</td> <td>0.37 kW</td> </tr> <tr> <td>9322 =</td> <td>0.75 kW</td> <td>0.75 kW</td> </tr> <tr> <td>9323 =</td> <td>1.5 kW</td> <td>1.5 kW</td> </tr> <tr> <td>9324 =</td> <td>3.0 kW</td> <td>3.0 kW</td> </tr> <tr> <td>9325 =</td> <td>5.5 kW</td> <td>5.5 kW</td> </tr> <tr> <td>9326 =</td> <td>11 kW</td> <td>11 kW</td> </tr> </table>					400 V	480 V	9321 =	0.37 kW	0.37 kW	9322 =	0.75 kW	0.75 kW	9323 =	1.5 kW	1.5 kW	9324 =	3.0 kW	3.0 kW	9325 =	5.5 kW	5.5 kW	9326 =	11 kW	11 kW
	400 V	480 V																							
9321 =	0.37 kW	0.37 kW																							
9322 =	0.75 kW	0.75 kW																							
9323 =	1.5 kW	1.5 kW																							
9324 =	3.0 kW	3.0 kW																							
9325 =	5.5 kW	5.5 kW																							
9326 =	11 kW	11 kW																							
<b>Type</b>	E = Panel-mounted unit C = Built-in unit in "cold plate" technique																								
<b>Design</b>	V = Vector-controlled frequency inverter																								
<b>Variant</b>	- Standard V003 = In "cold plate" technique V004 = With "safe standstill" function V024 = With "safe standstill" function and for IT mains V100 = For IT mains																								
<b>Hardware version</b>																									
<b>Software version</b>																									



### 1.4 Conventions used

This documentation uses the following conventions to distinguish between different types of information:

Type of information	Identification	Examples/notes
Spelling of numbers		
Decimal separator	language-dependent	In each case, the signs typical for the target language are used as decimal separators. For example: 1234.56 or 1234,56
Warnings		
UL warnings		Are only given in English.
UR warnings		
Text		
Program name	» «	PC software For example: »Engineer«, »Global Drive Control« (GDC)
Icons		
Page reference		Reference to another page with additional information For instance:  16 = see page 16

# 1 About this documentation

Notes used

## 1.5 Notes used

The following pictographs and signal words are used in this documentation to indicate dangers and important information:

### Safety instructions

Structure of safety instructions:



#### Danger!

(characterises the type and severity of danger)

#### Note

(describes the danger and gives information about how to prevent dangerous situations)

Pictograph and signal word	Meaning
<b>Danger!</b>	<b>Danger of personal injury through dangerous electrical voltage.</b> Reference to an imminent danger that may result in death or serious personal injury if the corresponding measures are not taken.
<b>Danger!</b>	<b>Danger of personal injury through a general source of danger.</b> Reference to an imminent danger that may result in death or serious personal injury if the corresponding measures are not taken.
<b>Stop!</b>	<b>Danger of property damage.</b> Reference to a possible danger that may result in property damage if the corresponding measures are not taken.

### Application notes

Pictograph and signal word	Meaning
<b>Note!</b>	Important note to ensure troublefree operation
<b>Tip!</b>	Useful tip for simple handling
<b>Reference!</b>	Reference to another documentation

### Special safety instructions and application notes for UL and UR

Pictograph and signal word	Meaning
<b>Warnings!</b>	<b>Safety or application note for the operation of a UL-approved device in UL-approved systems.</b> Possibly the drive system is not operated in compliance with UL if the corresponding measures are not taken.
<b>Warnings!</b>	<b>Safety or application note for the operation of a UR-approved device in UL-approved systems.</b> Possibly the drive system is not operated in compliance with UL if the corresponding measures are not taken.

## 2 Safety instructions

### 2.1 General safety and application notes for Lenze controllers

(in accordance with Low-Voltage Directive 2006/95/EC)

#### For your personal safety

Disregarding the following safety measures can lead to severe injury to persons and damage to material:

- ▶ Only use the product as directed.
- ▶ Never commission the product in the event of visible damage.
- ▶ Never commission the product before assembly has been completed.
- ▶ Do not carry out any technical changes on the product.
- ▶ Only use the accessories approved for the product.
- ▶ Only use original spare parts from Lenze.
- ▶ Observe all regulations for the prevention of accidents, directives and laws applicable on site.
- ▶ Transport, installation, commissioning and maintenance work must only be carried out by qualified personnel.
  - Observe IEC 364 and CENELEC HD 384 or DIN VDE 0100 and IEC report 664 or DIN VDE 0110 and all national regulations for the prevention of accidents.
  - According to this basic safety information, qualified, skilled personnel are persons who are familiar with the assembly, installation, commissioning, and operation of the product and who have the qualifications necessary for their occupation.
- ▶ Observe all specifications in this documentation.
  - This is the condition for safe and trouble-free operation and the achievement of the specified product features.
  - The procedural notes and circuit details described in this documentation are only proposals. It's up to the user to check whether they can be transferred to the particular applications. Lenze Automation GmbH does not accept any liability for the suitability of the procedures and circuit proposals described.
- ▶ Depending on their degree of protection, some parts of the Lenze controllers (frequency inverters, servo inverters, DC speed controllers) and their accessory components can be live, moving and rotating during operation. Surfaces can be hot.
  - Non-authorized removal of the required cover, inappropriate use, incorrect installation or operation, creates the risk of severe injury to persons or damage to material assets.
  - For more information, please see the documentation.
- ▶ High amounts of energy are produced in the controller. Therefore it is required to wear personal protective equipment (body protection, headgear, eye protection, ear protection, hand guard).

## Safety instructions

General safety and application notes for Lenze controllers

### Application as directed

Controllers are components which are designed for installation in electrical systems or machines. They are not to be used as domestic appliances, but only for industrial purposes according to EN 61000-3-2.

When controllers are installed into machines, commissioning (i.e. starting of the operation as directed) is prohibited until it is proven that the machine complies with the regulations of the EC Directive 98/37/EC (Machinery Directive); EN 60204 must be observed.

Commissioning (i.e. starting of the operation as directed) is only allowed when there is compliance with the EMC Directive (2004/108/EC).

The controllers meet the requirements of the Low-Voltage Directive 2006/95/EC. The harmonised standard EN 61800-5-1 applies to the controllers.

The technical data and supply conditions can be obtained from the nameplate and the documentation. They must be strictly observed.

**Warning:** Controllers are products which can be installed in drive systems of category C2 according to EN 61800-3. These products can cause radio interferences in residential areas. In this case, special measures can be necessary.

### Transport, storage

Please observe the notes on transport, storage, and appropriate handling.

Observe the climatic conditions according to the technical data.

### Installation

The controllers must be installed and cooled according to the instructions given in the corresponding documentation.

The ambient air must not exceed degree of pollution 2 according to EN 61800-5-1.

Ensure proper handling and avoid excessive mechanical stress. Do not bend any components and do not change any insulation distances during transport or handling. Do not touch any electronic components and contacts.

Controllers contain electrostatic sensitive devices which can easily be damaged by inappropriate handling. Do not damage or destroy any electrical components since this might endanger your health!

### Electrical connection

When working on live controllers, observe the applicable national regulations for the prevention of accidents (e.g. VBG 4).

The electrical installation must be carried out according to the appropriate regulations (e.g. cable cross-sections, fuses, PE connection). Additional information can be obtained from the documentation.

This documentation contains information on installation in compliance with EMC (shielding, earthing, filter, and cables). These notes must also be observed for CE-marked controllers. The manufacturer of the system is responsible for compliance with the limit values demanded by EMC legislation. The controllers must be installed in housings (e.g. control cabinets) to meet the limit values for radio interferences valid at the site of installation. The housings must enable an EMC-compliant installation. Observe in particular that e.g. the control cabinet doors have a circumferential metal connection to the housing. Reduce housing openings and cutouts to a minimum.

Lenze controllers can cause a DC current in the PE conductor. If a residual current device (RCD) is used for protection in the event of direct or indirect contact, a residual current device (RCD) of type B must be used on the supply side of the controller in case of a three-phase controller supply. Otherwise, a different protective measure must be taken, e.g. separation from the environment through double or reinforced insulation or separation from the supply system by means of a transformer.

### Operation

If necessary, systems including controllers must be equipped with additional monitoring and protection devices according to the valid safety regulations (e.g. law on technical equipment, regulations for the prevention of accidents). The controllers can be adapted to your application. Please observe the corresponding information given in the documentation.

After the controller has been disconnected from the supply voltage, all live components and power connections must not be touched immediately because capacitors can still be charged. Please observe the corresponding stickers on the controller.

All protection covers and doors must be shut during operation.

**Notes for UL-approved systems with integrated controllers:** UL warnings are notes that only apply to UL systems. The documentation contains special UL notes.

### Safety functions

Special controller variants support safety functions (e.g. "safe torque off", formerly "safe standstill") according to the requirements of appendix I No. 1.2.7 of the EC Directive "Machinery" 98/37/EC, EN 954-1 category 3 and EN 1037. Strictly observe the notes on the safety functions given in the documentation on the respective variants.

### Maintenance and servicing

The controllers do not require any maintenance if the prescribed operating conditions are observed.

### Disposal

Recycle metal and plastic materials. Ensure professional disposal of assembled PCBs.

**The product-specific safety and application notes given in these instructions must be observed!**

## 2

**Safety instructions**

Thermal motor monitoring

Description

## 2.2

**Thermal motor monitoring**

## 2.2.1

**Description****Note!**

From software version 8.1 onwards, the 9300 vector controllers are provided with an  $I^2 \times t$  function for sensorless thermal monitoring of the connected motor.

- ▶  $I^2 \times t$  monitoring is based on a mathematical model which calculates a thermal motor utilisation from the detected motor currents.
- ▶ The calculated motor utilisation is saved when the mains is switched off.
- ▶ The function is UL-certified, i.e. additional protective measures for the motor are not required in UL-approved systems.
- ▶ Nevertheless,  $I^2 \times t$  monitoring does **not** provide full motor protection because other influences on the motor utilisation such as changes in the cooling conditions (e.g. cooling air flow interrupted or too warm) cannot be detected.

The  $I^2 \times t$ -load of the motor is constantly calculated by the drive controller and displayed in C0066.

The  $I^2 \times t$ -monitoring is designed in a way, that a motor with a thermal motor time factor of 5 min, a motor current of  $1.5 \times I_r$  and a trigger threshold of 100 % releases the monitoring after 179 s.

You can set different reactions with two adjustable trigger thresholds.

- ▶ Adjustable reaction OC8 (TRIP, Warning, Off).
  - The reaction is set in C0606.
  - The trigger threshold is set in C0127.
  - The reaction OC8 can be used for example for an advance warning.
- ▶ Fixed reaction OC6-TRIP.
  - The trigger threshold is set in C0120.

Response of the $I^2 \times t$ -monitoring	Condition
The $I^2 \times t$ -monitoring is deactivated. C0066 = 0 % and MCTRL-LOAD-I2XT = 0,00 % is set.	Set the controller inhibit at C0120 = 0 % and C0127 = 0 %.
The $I^2 \times t$ -monitoring is stopped. The actual value in C0066 and at the MCTRL-LOAD-I2XT output is held.	Allow controller release at C0120 = 0 % and C0127 = 0 %.
The $I^2 \times t$ -monitoring is deactivated. The motor load is displayed in C0066.	Set C0606 = 3 (Off) and C0127 > 0 %.

**Note!**

An OC6 or OC8 error message can only be reset if the  $I^2 \times t$ -monitoring has fallen below the set trigger threshold by 5 %.

### 2.2.2 Parameter setting

Parameter setting			
Code	Meaning	Value range	Lenze setting
C0066	Display of the I <sup>2</sup> t utilisation of the motor	0 ... 250 %	-
C0120	Threshold: Triggering of an "OC6" error	0 ... 120 %	0 %
C0127	Threshold: Triggering of an "OC8" error	0 ... 120 %	0 %
C0128	Thermal time constant of the motor	0.1 ... 50.0 min	5.0 min
C0606	Response to "OC8" error	Trip, warning, off	Warning

#### Calculate release time

$$t = - (C0128) \cdot \ln \left[ 1 - \frac{y + 1}{\left(\frac{I_M}{I_r}\right)^2 \cdot 100} \right]$$

$I_M$  Actual motor current

$I_r$  Rated motor current

$y$  C0120 or C0127

- The thermal capacity of the motor is expressed by the thermal motor time factor (C0128). Please see the rated data of the motor for the value or ask the manufacturer of the motor.

#### Read the release time off the diagram

Diagram for the determination of the release times of a motor with a thermal motor time factor of 5 min:

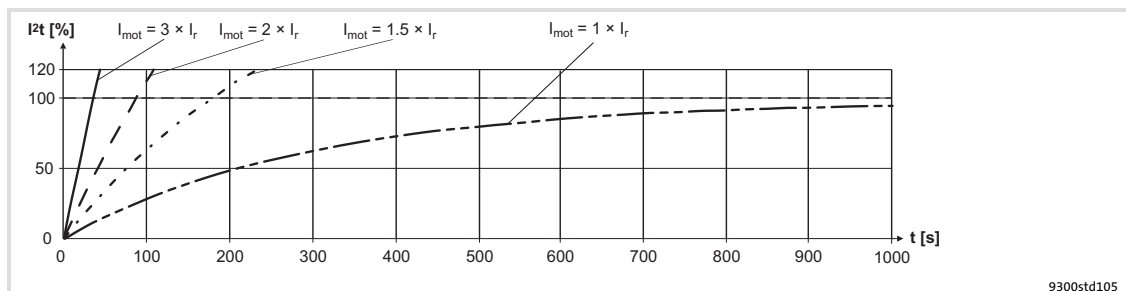


Fig. 2-1 I<sup>2</sup> × t-monitoring: Release times for different motor currents and trigger thresholds

$I_{mot}$	Motor current
$I_r$	Rated motor current
$I^2t$	I <sup>2</sup> t load
$T$	Time

## 2 Safety instructions

### Residual hazards

#### 2.3 Residual hazards

##### Protection of persons

- ▶ Before working on the controller, check that no voltage is applied to the power terminals:
  - Because the power terminals V, W, +U<sub>G</sub> and -U<sub>G</sub> remain live for at least 3 minutes after disconnecting from mains.
  - Because the power terminals L1, L2, L3; U, V, W, +U<sub>G</sub> and -U<sub>G</sub> remain live when the motor is stopped.
- ▶ The leakage current to earth (PE) is >3.5 mA. According to EN 50178
  - a fixed installation is required,
  - a double PE connection is required, or, if there is only a single PE connection, the PE conductor must have a cross-section of at least 10 mm<sup>2</sup>.
- ▶ The heat sink of the controller has an operating temperature of > 80 °C:
  - Contact with the heatsink results in burns.
- ▶ If you use the "flying-restart circuit" function (C0142 = 2, 3) for machines with a low moment of inertia and minimum friction:
  - After controller enable in standstill, the motor may start or change its direction of rotation for a short time, because the flying restart process also is carried out at a speed of 0.
- ▶ During parameter set transfer, the control terminals of the controller can have undefined states!
  - Therefore the plugs X5 and X6 must be unplugged, before the transfer is executed. This ensures that the controller is inhibited and all control terminals have the defined "LOW" state.

##### Device protection

- ▶ Frequent mains switching (e.g. inching mode via mains contactor) can overload and destroy the input current limitation of the drive controller:
  - At least 3 minutes must pass between switching off and restarting the devices EVF9321-xV and EVF9322-xV.
  - At least 3 minutes must pass between two starting procedures of the devices EVF9323-xV ... EVF9333-xV.
  - Use the "safe torque off" safety function (STO) if safety-related mains disconnections occur frequently. The drive variants Vxx4 are equipped with this function.

##### Motor protection

- ▶ Certain drive controller settings can overheat the connected motor:
  - E. g. long-time operation of the DC injection brake.
  - Long-time operation of self-ventilated motors at low speeds.

**Protection of the machine/system**

- ▶ Drives can reach dangerous overspeeds (e. g. setting of high output frequencies in connection with motors and machines not suitable for this purpose):
  - The drive controllers do not provide protection against such operating conditions. For this purpose, use additional components.

## 2

**Safety instructions**

Safety instructions for the installation according to UL or UR

## 2.4

**Safety instructions for the installation according to U<sub>L</sub> or U<sub>R</sub>****Warnings!**

- ▶ **Motor Overload Protection**
  - For information on the protection level of the internal overload protection for a motor load, see the corresponding manuals or software helps.
  - If the integral solid state motor overload protection is not used, external or remote overload protection must be provided.
- ▶ **Branch Circuit Protection**
  - The integral solid state protection does not provide branch circuit protection.
  - Branch circuit protection has to be provided externally in accordance with corresponding instructions, the National Electrical Code and any additional codes.
- ▶ Please observe the specifications for fuses and screw-tightening torques in these instructions.
- ▶ **EVF9321 ... EVF9326:**
  - Suitable for use on a circuit capable of delivering not more than 5000 rms symmetrical amperes, 480 V maximum, when protected by fuses.
  - Suitable for use on a circuit capable of delivering not more than 50000 rms symmetrical amperes, 480 V maximum, when protected by CC, J, T or R class fuses.
  - Maximum surrounding air temperature: 0 ... +55 °C
  - > +40 °C: reduce the rated output current by 2.5 %/°C
  - Use 75 °C copper wire only.
- ▶ **EVF9327 ... EVF9329:**
  - Suitable for use on a circuit capable of delivering not more than 5000 rms symmetrical amperes, 480 V maximum, when protected by fuses.
  - Suitable for use on a circuit capable of delivering not more than 50000 rms symmetrical amperes, 480 V maximum, when protected by J, T or R class fuses.
  - Maximum surrounding air temperature: 0 ... +50 °C
  - > +40 °C: reduce the rated output current by 2.5 %/°C
  - Use 60/75 °C or 75 °C copper wire only.
- ▶ **EVF9330 ... EVF9333:**
  - Suitable for use on a circuit capable of delivering not more than 10000 rms symmetrical amperes, 480 V maximum, when protected by fuses.
  - Suitable for use on a circuit capable of delivering not more than 50000 rms symmetrical amperes, 480 V maximum, when protected by J, T or R class fuses.
  - Maximum surrounding air temperature: 0 ... +50 °C
  - > +40 °C: reduce the rated output current by 2.5 %/°C
  - Use 60/75 °C or 75 °C copper wire only.

## 3 Parameter setting

### 3.1 Parameter setting with the XT EMZ9371BC keypad

#### Description

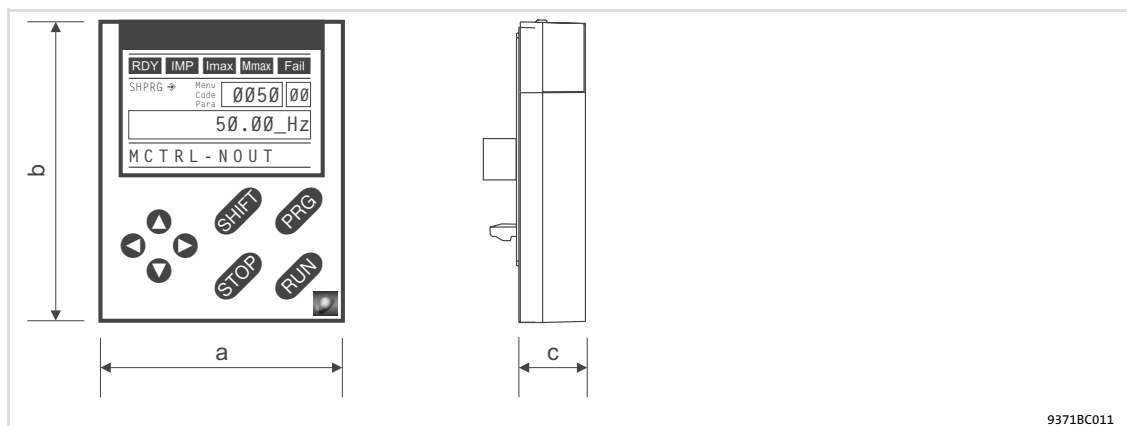
The keypad is available as an accessory. A full description of the keypad can be obtained from the Instructions included in the keypad delivery.

#### Plugging in the keypad

It is possible to plug the keypad into the AIF interface or remove it during operation.

As soon as the keypad is supplied with voltage, it carries out a self-test. The keypad is ready for operation if it is in display mode.

#### 3.1.1 General data and operating conditions



Feature	Values	
<b>Dimensions</b>		
Width	a	60 mm
Height	b	73.5 mm
Depth	c	15 mm
<b>Environmental conditions</b>		
Climate		
Storage	IEC/EN 60721-3-1	1K3 (-25 ... +60 °C)
Transport	IEC/EN 60721-3-2	2K3 (-25 ... +70 °C)
Operation	IEC/EN 60721-3-3	3K3 (-10 ... +60 °C)
Enclosure	IP 20	

## 3

## Parameter setting

Parameter setting with the XT EMZ9371BC keypad  
Installation and commissioning

## 3.1.2

## Installation and commissioning

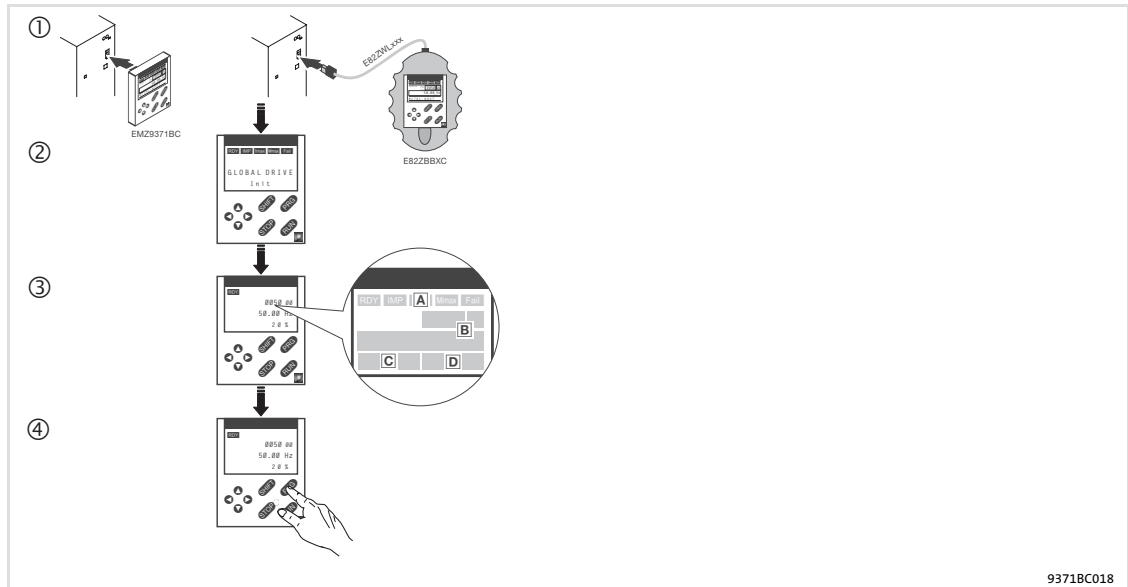


Fig. 3-1 Installation and commissioning of XT EMZ9371BC keypad or E82ZBBXC diagnosis terminal

- ① Connect keypad to the AIF interface on the front of the standard device.  
The keypad can be connected/disconnected during operation.
- ② As soon as the keypad is supplied with voltage, it carries out a short self-test.
- ③ The operation level indicates when the keypad is ready for operation:
  - Ⓐ Current state of the standard device
  - Ⓑ Memory location 1 of the user menu (C0517):  
Code number, subcode number, and current value
  - Ⓒ Active fault message or additional status message
  - Ⓓ Actual value in % of the status display defined in C0004
- ④ **PRG** must be pressed to leave the operation level

## 3.1.3 Display elements and function keys

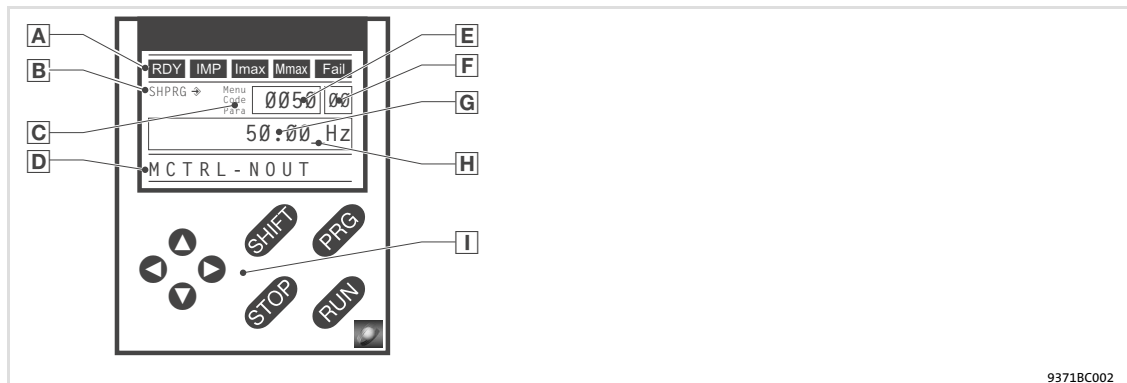


Fig. 3-2 Display elements and function keys of the XT EMZ9371BC keypad

## Displays

A Status displays of standard device		
Display	Meaning	Explanation
RDY	Ready for operation	
IMP	Pulse inhibit is active	Power outputs are inhibited
I <sub>max</sub>	The set current limit is exceeded in motor or generator mode	
M <sub>max</sub>	Speed controller 1 in the limitation	Drive is torque-controlled (Only active for operation with standard devices of the 9300 series)
Fail	Active fault	
B Acceptance of the parameters		
Display	Meaning	Explanation
↔	Parameter is accepted immediately	Standard device operates immediately with the new parameter value
SHPRG ↔	Parameter must be acknowledged with <b>SHIFT PRG</b>	Standard device operates with the new parameter value after being acknowledged
SHPRG	Parameter must be acknowledged in case of controller inhibit <b>SHIFT PRG</b>	Standard device operates with the new parameter value after the controller is enabled again
None	Display parameter	Change is not possible
C Active level		
Display	Meaning	Explanation
Menu	Menu level is active	Select main menu and submenus
Code	Code level is active	Select codes and subcodes
Para	Parameter level is active	Change parameters in the codes or subcodes
None	Operating level is active	Display operating parameters
D Short text		
Display	Meaning	Explanation
alphanumeric	Contents of the menus, meaning of the codes and parameters	
	In the operating level display of C0004 in % and the active fault	

## Parameter setting

Parameter setting with the XT EMZ9371BC keypad  
Display elements and function keys

<b>E</b>	<b>Number</b>		
	<b>Active level</b>	<b>Meaning</b>	<b>Explanation</b>
	Menu level	Menu number	Display is only active for operation with standard devices of the 8200 vector or 8200 motec series
	Code level	Four-digit code number	
<b>F</b>	<b>Number</b>		
	<b>Active level</b>	<b>Meaning</b>	<b>Explanation</b>
	Menu level	Submenu number	Display is only active for operation with standard devices of the 8200 vector or 8200 motec series
	Code level	Two-digit subcode number	
<b>G</b>	<b>Parameter value</b>		
		Parameter value with unit	
<b>H</b>	<b>Cursor</b>		
		In the parameter level, the digit above the cursor can be directly changed	
<b>I</b>	<b>Function keys</b>		
		For description see the following table	

### Function keys



#### Note!

Shortcuts with **SHIFT**:

Press and hold **SHIFT**, then press the second key in addition.

Key	Function			
	Menu level	Code level	Parameter level	Operating level
<b>PRG</b>		Change to the parameter level	Change to the operating level	Change to the code level
<b>SHIFT</b> <b>PRG</b>	Go to the "Short setup" menu and load predefined configurations <sup>1)</sup>		Accept parameters when SHPRG → or SHPRG is displayed	
<b>↕</b>	Change between menu items	Change of code number	Change of digit via cursor	
<b>SHIFT</b> <b>↕</b> <b>SHIFT</b> <b>↕</b>	Quick change between menu items	Quick change of code number	Quick change of digit via cursor	
<b>↶</b> <b>↷</b>	Change between main menu, submenu and code level		Cursor to the right Cursor to the left	
<b>RUN</b>	Deactivate the function of the key <b>STOP</b> , the LED in the key goes off			
<b>STOP</b>	Inhibit the controller, the LED in the key is lit.			
	Reset fault (TRIP-Reset):			
	1. Remove the cause of malfunction			
	2. Press <b>STOP</b>			
	3. Press <b>RUN</b>			

<sup>1)</sup> Only active for operation with standard devices of the 8200 vector or 8200 motec series

## 3.1.4 Changing and saving parameters

**Note!**

Your settings have an effect on the current parameters in the main memory. You must save your settings in a parameter set so that they are not lost when the mains are connected.

If you only need one parameter set, save your settings as parameter set 1, since parameter set 1 is loaded automatically after mains connection.

Step		Key sequence	Action
1.	Select the menu	⬅ ➡ ➡ ➡	Use the arrow keys to select the desired menu
2.	Change to the code level	➡	Display of the first code in the menu
3.	Select code or subcode	⬇ ⬆	Display of the current parameter value
4.	Change to the parameter level	PRG	
5.	When SHPRG is displayed, inhibit the controller	STOP <sup>1)</sup>	The drive coasts
6.	Change parameter		
	A	➡ ⬅	Move cursor below the digit to be changed
	B	⬇ ⬆	Change of digit
		SHIFT ⬇	Quick change of digit
		SHIFT ⬆	
7.	Accept the changed parameter		
	Display of SHPRG or SHPRG →	SHIFT PRG	Confirm change to accept the parameter Display "OK"
	Display →	-	The parameter has been accepted immediately
8.	Enable the controller, if required	RUN <sup>1)</sup>	The drive runs again
9.	Change to the code level		
	A	PRG	Display of the operating level
	B	PRG	Display of the code with changed parameter
10.	Change further parameters		Restart the "loop" with step 1. or 3.
11.	Save changed parameters		
	A	⬆ ⬇ ➡ ➡	Select the code C0003 "PAR SAVE" in the menu "Load/Store"
	B	PRG	Change to the parameter level Display "0" and "READY"
	C	⬆	Save as parameter set 1: ⇒ Set "1" "Save PS1"
			Save as parameter set 2: ⇒ Set "2" "Save PS2"
			Save as parameter set 3: ⇒ Set "3" "Save PS3"
			Save as parameter set 4: ⇒ Set "4" "Save PS4"
	D	SHIFT PRG	When "OK" is displayed, the settings are permanently saved in the selected parameter set.
12.	Change to the code level		
	A	PRG	Display of the operating level
	B	PRG	Display of C0003 "PAR SAVE"
13.	Set parameters for another parameter set		Restart the "loop" with step 1. or 3.

<sup>1)</sup> The function of the STOP key can be programmed:  
C0469 = 1: Controller inhibit  
C0469 = 2: Quick stop (Lenze setting)

## 3

**Parameter setting**

Parameter setting with the XT EMZ9371BC keypad  
Loading a parameter set

## 3.1.5

**Loading a parameter set**

The keypad serves to load a saved parameter set into the main memory when the controller is inhibited. After the controller is enabled, it operates with the new parameters.

**Danger!**

- ▶ When a new parameter set is loaded, the controller is reinitialised and acts as if it had been connected to the mains:
  - System configurations and terminal assignments can be changed. Make sure that your wiring and drive configuration comply with the settings of the parameter set.
- ▶ Only use terminal X5/28 as source for the controller inhibit! Otherwise the drive may start in an uncontrolled way when switching over to another parameter set.

**Note!**

- ▶ After switching on the supply voltage, the controller always loads parameter set 1 into the main memory.
- ▶ It is also possible to load other parameter sets into the main memory via the digital inputs or bus commands.

Step		Key sequence	Action
1.	Inhibit controller		Terminal X5/28 = LOW
2.	Load the saved parameter set into the main memory		
		A ▲ ▼ ▶ ◀	Select the code C0002 "PAR LOAD" in the menu "Load/Store"
		B PRG	Change to the parameter level The active parameter set is displayed, e. g. display "0" and "Load Default" If you want to restore the delivery status, proceed with D
	Select the parameter set to be loaded	C ▲	Load parameter set 1: ⇒ Set "1" "Load PS1" Load parameter set 2: ⇒ Set "2" "Load PS2" Load parameter set 3: ⇒ Set "3" "Load PS3" Load parameter set 4: ⇒ Set "4" "Load PS4"
		D SHIFT PRG	"RDY" goes off. The parameter set is loaded completely into the main memory if "RDY" is displayed again.
3.	Change to the code level		
		A PRG	Display of the operating level
		B PRG	Display of C0002 "PAR LOAD"
4.	Enable controller		Terminal X5/28 = HIGH The drive is running with the settings of the loaded parameter set

### 3.1.6 Transferring parameters to other standard devices

Parameter settings can be easily copied from one standard device to another by using the keypad.

For this purpose use the "Load/Store" menu



#### Danger!

During the parameter transfer from the keypad to the standard device the control terminals can adopt undefined states!

Therefore the plugs X5 and X6 must be disconnected from the standard device before the transfer takes place. This ensures that the controller is inhibited and all control terminals have the defined state "LOW".

### Copying parameter sets from the standard device into the keypad



#### Note!

After copying the parameter sets into the XT keypad (C0003 = 11), always the parameter set that was loaded last via C0002 is activated.

Like this the current parameters also remain active after copying:

- ▶ Save the current parameters in the parameter set before copying and load this parameter set in the controller via C0002.

Step	Key sequence	Action
1.	Connect the keypad to standard device 1	
2.	Inhibit controller	Terminal X5/28 = LOW The drive coasts.
3.	Select C0003 in the "Load/Store" menu	◀ ▶ ◀ ▶ ◀ ▶ ◀ ▶ Select code C0003 "PAR SAVE" in the "Load/Store" menu using the arrow keys.
4.	Change to the parameter level	PRG Display "0" and "READY"
5.	Copy all parameter set into the keypad	The settings saved in the keypad are overwritten. ▶ Set "11" "Save extern"
6.	Start copying	SHIF PRG The "RDY" status display goes off. As parameter value "BUSY" is displayed. If "BUSY" goes off after approx. one minute, all parameter sets were copied into the keypad. The "RDY" status display is lit.
7.	Change to the code level	A PRG B PRG Display of the operating level Display C0003 and "PAR SAVE"
8.	Enable controller	Terminal X5/28 = HIGH
9.	Remove keypad from standard device 1	

## Parameter setting

Parameter setting with the XT EMZ9371BC keypad  
Transferring parameters to other standard devices

### Copying parameter sets fom keypad into the standard device

Step	Key sequence	Action
1.		Connect the keypad to standard device 2
2.		Inhibit controller Terminal X5/28 = LOW The "IMP" status display is lit. The drive coasts
3.		Pull the plugs X5 and X6 All control terminals have the defined "LOW" status.
4.	◀ ▶ ◂ ◃	Select C0002 in the "Load/Store" menu Select code C0002 "PAR LOAD" in the "Load/Store" menu using the arrow keys.
5.	PRG	Change to the parameter level The active parameter set is shown, e. g. display "0" and "Load Default"
6.		Select the correct copy function The settings saved in the standard device are overwritten.
		<ul style="list-style-type: none"> <li>Copy all parameter sets available into the EEPROM of the standard device and save them permanently.</li> <li>The parameter set that was active before copying is overwritten.</li> <li>The parameters are not yet active after copying. Select parameter set and load it in the main memory. □ 22</li> </ul>
	◀	Set "20" "ext -> EEPROM"
		<ul style="list-style-type: none"> <li>Copy individual parameter sets into the main memory of the standard device.</li> </ul>
	◀	Copy parameter set 1 into the main memory: Set ⇒ "11" "Load ext PS1"
		Copy parameter set 2 into the main memory: Set ⇒ "12" "Load ext PS2"
		Copy parameter set 3 into the main memory: Set ⇒ "13" "Load ext PS3"
		Copy parameter set 4 into the main memory: Set ⇒ "14" "Load ext PS4"
7.	SHIFT PRG	Start copying The "RDY" status display goes off. As parameter value "BUSY" is displayed. If "BUSY" goes off, the parameter sets selected were copied into the standard device. The "RDY" status display is lit.
8.		Change to the code level
	A PRG	Display of the operating level
	B PRG	Display C0002 and "PAR LOAD"
9.	◀ ▶ ◂ ◃	<ul style="list-style-type: none"> <li>If the function "Copy all parameter sets into the EEPROM" (C0002 = 20) is selected, they might have to be loaded in the main memory manually.</li> <li>If the function "Copy individual parameter sets into the main memory" (C0002 = 1x) is selected, they might have to be saved permanently in the EEPROM manually.</li> </ul>
10.		Plug in plugs X5 and X6
11.		Enable controller Terminal X5/28 = HIGH The drive is running with the new settings.

## 3.1.7 Activating password protection

**Note!**

- ▶ If the password protection is activated (C0094 = 1 ... 9999), you only have free access to the user menu.
- ▶ To access the other menus, you must enter the password. By this, the password protection is annulled until you enter a new password.
- ▶ Please observe that the password-protected parameters can be overwritten as well when transferring the parameter sets to other standard devices. The password is not transferred.
- ▶ Do not forget your password! If you have forgotten your password, it can only be reset via a PC or a bus system!

**Activate password protection**

Step	Key sequence	Action
1. Select the "USER menu"	⬅ ➡ ⬆ ⬇	Change to the user menu using the arrow keys
2. Change to the code level	➡	Display of code C0051 "MCTRL-NACT"
3. Select C0094	⬆	Display of code C0094 "Password"
4. Change to the parameter level	PRG	Display "0" = no password protection
5. Set password		
	A ⬆	Select password (1 ... 9999)
	B SHIFT PRG	Confirm password
6. Change to the code level		
	A PRG	Display of the operating level
	B PRG	Display of C0094 and "Password"
7. Change to the "USER menu"	⬅ ⬆ ⬇	

The password protection is active now.

You can only quit the user menu if you re-enter the password and confirm it with SHIFT PRG.

**Remove password protection**

Step	Key sequence	Action
1. Change to the code level in the user menu	➡	
2. Select C0094	⬆	Display of code C0094 "Password"
3. Change to the parameter level	PRG	Display "9999" = password protection is active
4. Enter password		
	A ⬇	Set valid password
	B SHIFT PRG	Confirm The password protection is deactivated by entering the password once again.
5. Change to the code level		
	A PRG	Display of the operating level
	B PRG	Display of C0094 and "Password"

The password protection is deactivated now. All menus can be freely accessed again.

## 3

**Parameter setting**

Parameter setting with the XT EMZ9371BC keypad  
Diagnostics

## 3.1.8

**Diagnostics**

In the "Diagnostic" menu the two submenus "Actual info" and "History" contain all codes for

- ▶ monitoring the drive
- ▶ fault/error diagnosis

In the operating level, more status messages are displayed. If several status messages are active, the message with the highest priority is displayed.

Priority	Display	Meaning
1	GLOBAL DRIVE INIT	Initialisation or communication error between keypad and controller
2	XXX - TRIP	Active TRIP (contents of C0168/1)
3	XXX - MESSAGE	Active message (contents of C0168/1)
4	Special device states:	
		Switch-on inhibit
5	Source for controller inhibit (the value of C0004 is displayed simultaneously):	
	STP1	9300 servo: Terminal X5/28 ECSxS/P/M/A: Terminal X6/SI1
	STP3	Operating module or LECOM A/B/LI
	STP4	INTERBUS or PROFIBUS-DP
	STP5	9300 servo, ECSxA/E: System bus (CAN) ECSxS/P/M: MotionBus (CAN)
	STP6	C0040
6	Source for quick stop (QSP):	
	QSP-term-Ext	The MCTRL-QSP input of the MCTRL function block is on HIGH signal.
	QSP-C0135	Operating module or LECOM A/B/LI
	QSP-AIF	INTERBUS or PROFIBUS-DP
	QSP-CAN	9300 servo, ECSxA: System bus (CAN) ECSxS/P/M: MotionBus (CAN)
7	XXX - WARNING	Active warning (contents of C0168/1)
8	xxxx	Value below C0004

### 3.1.9 Menu structure

For simple, user-friendly operation, the codes are clearly arranged in function-related menus:

Main menu	Submenus	Description
Display	Display	
User-Menu		<b>Codes defined in C0517</b>
Code list		<b>All available codes</b>
	ALL	All available codes listed in ascending order (C0001 ... C7999)
	PS 1	Codes in parameter set 1 (C0001 ... C1999)
	PS 2	Codes in parameter set 2 (C2001 ... C3999)
	PS 3	Codes in parameter set 3 (C4001 ... C5999)
	PS 4	Codes in parameter set 4 (C6001 ... C7999)
Load/Store		<b>Parameter set management</b> Parameter set transfer, restore delivery status
Diagnostic		<b>Diagnostic</b>
	Actual info	Display codes to monitor the drive
	History	Fault analysis with history buffer
Short setup		<b>Quick configuration of predefined applications</b> <b>Configuration of the user menu</b> The predefined applications depend on the type of the standard device (frequency inverter, servo inverter, position controller, ...)
Main FB		<b>Configuration of the main function blocks</b>
	NSET	Setpoint processing
	NSET-JOG	Fixed setpoints
	NSET-RAMP1	Ramp function generator
	MCTRL	Motor control
	DFSET	Digital frequency processing
	DCTRL	Internal control
Terminal I/O		<b>Connection of inputs and outputs with internal signals</b>
	AIN1 X6.1/2	Analog input 1
	AIN2 X6.3/4	Analog input 2
	AOUT1 X6.62	Analog output 1
	AOUT2 X6.63	Analog output 2
	DIGIN	Digital inputs
	DIGOUT	Digital outputs
	DFIN	Digital frequency input
	DFOUT	Digital frequency output
	State bus	State bus (not with 9300 frequency inverter)
Controller		<b>Configuration of internal control parameters</b>
	Speed	Speed controller
	Current	Current controller or torque controller
	Phase	Phase controller (not with 9300 frequency inverter)
Motor/Feedb.		<b>Input of motor data, configuration of speed feedback</b>
	Motor adj	Motor data
	Feedback	Configuration of feedback systems
Monitoring		<b>Configuration of monitoring functions</b>

## 3

**Parameter setting**

Parameter setting with the XT EMZ9371BC keypad

Menu structure

Main menu	Submenus	Description
Display	Display	
LECOM/AIF		<b>Configuration of operation with communication modules</b>
	LECOM A/B	Serial interface
	AIF interface	Process data
	Status word	Display of status words
System bus		<b>Configuration of system bus (CAN)</b>
	Management	CAN communication parameters
	CAN-IN1	CAN object 1
	CAN-OUT1	
	CAN-IN2	CAN object 2
	CAN-OUT2	
	CAN-IN3	CAN object 3
	CAN-OUT3	
	Status word	Display of status words
	FDO	Free digital outputs
	Diagnostic	CAN diagnostic
FB config		<b>Configuration of function blocks</b>
Func blocks		<b>Parameterisation of function blocks</b> The submenus contain all available function blocks
FCODE		<b>Configuration of free codes</b>
Identify		<b>Identification</b>
	Drive	Software version of standard device
	Op Keypad	Software version of keypad

## 4 Troubleshooting and fault elimination

### 4.1 Display of operating data, diagnostics

#### 4.1.1 Display of operating data

##### Description

Important operating parameters are measured by the controller. They can be displayed with the keypad or PC.

Some operating data can be calibrated to be displayed or selected directly with the unit of the process quantity (e.g. pressure, temperature, speed).



##### Note!

The calibration always affects all specified codes simultaneously.

##### Codes for parameter setting

Code		Possible settings			IMPORTANT	
No.	Name	Lenze	Selection			
C0051	MCTRL-NACT		-36000	{1 rpm}	36000	Actual speed value, function block MCTRL <ul style="list-style-type: none"> <li>● Read only</li> </ul>
C0052	MCTRL-Umot		0	{1 V}	800	Motor voltage, function block MCTRL <ul style="list-style-type: none"> <li>● Read only</li> <li>● MCTRL-VACT = 100 % = C0090</li> </ul>
C0053	UG-VOLTAGE		0	{1 V}	900	DC-bus voltage, function block MCTRL <ul style="list-style-type: none"> <li>● Read only</li> <li>● MCTRL-DCVOLT = 100 % = 1000 V</li> </ul>
C0054	IMot		0.0	{0.1 A}	500.0	Current motor current, function block MCTRL <ul style="list-style-type: none"> <li>● Read only</li> <li>● MCTRL-IACT = 100 % = C0022</li> </ul>
C0061	Heatsink temp		0	{1 °C}	100	Heatsink temperature <ul style="list-style-type: none"> <li>● Read only</li> <li>● If the temperature of the heatsink &gt; 85 °C, the controller sets TRIP <i>DH</i></li> <li>● Early warning is possible via <i>DH4</i>, temperature is set in C0122</li> </ul>
C0063	Mot temp		0	{1 °C}	200	Motor temperature <ul style="list-style-type: none"> <li>● Read only</li> <li>● Monitoring of the motor temperature must be activated.</li> <li>● KTY at X8/5, X8/8: <ul style="list-style-type: none"> <li>– At 150 °C, TRIP <i>DH3</i> is set</li> <li>– Early warning is possible via <i>DH7</i>, temperature is set in C0121</li> </ul> </li> <li>● PTC, thermal contact at T1, T2: <ul style="list-style-type: none"> <li>– Release sets TRIP or warning <i>DH8</i></li> </ul> </li> </ul>

## 4 Troubleshooting and fault elimination

Display of operating data, diagnostics

Display of operating data

Code		Possible settings				IMPORTANT
No.	Name	Lenze	Selection			
C0064	Utilization		0	{1 %}	150	Device utilisation I×t <ul style="list-style-type: none"> <li>• Read only</li> <li>• Device utilisation during the last 180 s of operating time</li> <li>• C0064 &gt; 100 % releases warning 005</li> <li>• C0064 &gt; 140 % limits the output current of the controller to 67 % of the maximum current in C0022</li> </ul>
C0150	Status word		Bit00 – Bit01 IMP Bit02 – Bit03 – Bit04 – Bit05 – Bit06 n = 0 Bit07 CINH	Bit08 Status code Bit09 Status code Bit10 Status code Bit11 Status code Bit12 Warning Bit13 Message Bit14 – Bit15 –		Read only Decimal status word for networking via automation interface (AIF) <ul style="list-style-type: none"> <li>• Binary interpretation indicates the bit states</li> </ul>

**4.1.2 Diagnostics****Description**

Display codes for diagnostics

**Codes for parameter setting**

Code		Possible settings		IMPORTANT	
No.	Name	Lenze	Selection		
C0093	DRIVE IDENT			Controller identification	
			0	invalid	• Read only
			1	none	Damaged power section
			9321	9321VC	No power section
			9333	9333VC	Display of the controller used
C0099	S/W version		x.y	Software version	
			x	Main version	• Read only
			y	Subversion	

## 4 Troubleshooting and fault elimination

### Troubleshooting

#### Status display via LEDs at the controller

## 4.2 Troubleshooting

### Detecting breakdowns

A breakdown can be detected quickly via the LEDs at the controller or via the status information at the keypad.

### Analysing errors

Analyse the error using the history buffer. The list of fault messages gives you advice how to remove the fault. (📖 39)

### 4.2.1 Status display via LEDs at the controller

During operation the operating status of the controller is shown by 2 LEDs.

LED		Operating status	
Red ①	Green ②		
Off	On	Controller is enabled	
On	On	Mains is switched on and automatic start is inhibited	
Off	Blinking slowly	Controller is inhibited	
Off	On	Motor data identification is being performed	
Blinking quickly	Off	Undervoltage	
Blinking slowly	Off	Active fault	

## 4.2.2 Fault analysis with the history buffer

### Retracing faults

Faults can be retraced via the history buffer. Fault messages are stored in the 8 memory locations in the order of their appearance.

The memory locations can be retrieved via codes.

### Structure of the history buffer

Code			Memory location	Entry	Note
C0168/1	C0169/1	C0170/1	Memory location 1	Active fault	If the fault is no longer pending or has been acknowledged: <ul style="list-style-type: none"> <li>• The contents of the memory locations 1 ... 7 are shifted "up" to the next memory location.</li> <li>• The content of memory location 8 is deleted from the history buffer and cannot be retrieved anymore.</li> <li>• Memory location 1 is deleted (= no active fault).</li> </ul>
C0168/2	C0169/2	C0170/2	Memory location 2	Last fault	
C0168/3	C0169/3	C0170/3	Memory location 3	Last but one fault	
C0168/4	C0169/4	C0170/4	Memory location 4	Last but two fault	
C0168/5	C0169/5	C0170/5	Memory location 5	Last but three fault	
C0168/6	C0169/6	C0170/6	Memory location 6	Last but four fault	
C0168/7	C0169/7	C0170/7	Memory location 7	Last but five fault	
C0168/8	C0169/8	C0170/8	Memory location 8	Last but six fault	

### Explanations regarding the codes

C0168	<b>Fault indication and response</b> <ul style="list-style-type: none"> <li>• The entry is effected as a LECOM error number</li> <li>• If several faults with different responses occur at the same time:               <ul style="list-style-type: none"> <li>– Only the fault with the highest priority response is entered (1. TRIP, 2. message, 3. warning).</li> </ul> </li> <li>• If several faults with the same response (e.g. 2 messages) occur at the same time:               <ul style="list-style-type: none"> <li>– Only the fault which occurred first is entered.</li> </ul> </li> </ul>
C0169	<b>Time of fault occurrence</b> <ul style="list-style-type: none"> <li>• The reference time is provided by the power-on time meter (C0179).</li> <li>• If the same fault occurs several times in succession, only the time of the last occurrence is stored.</li> </ul>
C0170	<b>Fault frequency</b> <ul style="list-style-type: none"> <li>• Only the time of the last occurrence is stored.</li> </ul>

### Clear history buffer

Set C0167 = 1 to clear the history buffer.

## 4 Troubleshooting and fault elimination


Drive behaviour in the event of faults  
Fault analysis with the history buffer

### 4.3 Drive behaviour in the event of faults


The controller responds differently to the three possible fault types TRIP, message, or warning:

#### TRIP

**TRIP (display in keypad XT:  )**

- ▶ Switches the power outputs U, V, W to a high-resistance state until TRIP reset is executed.
- ▶ The fault indication is entered into the history buffer as "current fault" in C0168/1.
- ▶ The drive coasts without any control!
- ▶ After TRIP reset ( 43):
  - The drive travels along the ramps to its setpoint.
  - The fault indication is moved to C0168/2 as "last fault".

#### Messages

**Message (display in keypad XT:  )**

- ▶ Switches the power outputs U, V, W to a high-resistance state.
- ▶ The fault indication is entered into the history buffer as "current fault" in C0168/1.
- ▶ In case of a fault  $\leq 5$  s:
  - The drive coasts without any control as long as the message is active!
  - If the message is not active anymore, the drive travels to its setpoint with maximum torque.
- ▶ In case of a fault  $> 5$  s:
  - The drive coasts without any control as long as the message is active!
  - If the message is not active anymore, the drive travels to its setpoint along the adjusted ramps.
- ▶ If the message is not active anymore, the fault indication is moved to C0168/2 as "last fault".

#### Warnings

**"Heatsink overtemperature" (keypad XT: *DH*  )**

- ▶ The drive continues to travel in a controlled way!
- ▶ The warning signal goes off when the fault is not active anymore.

**"Error in motor phase" (keypad XT: *LPi*)**

**"PTC monitoring" (keypad XT: *DHSi*)**

- ▶ The drive continues to travel in a controlled way!
- ▶ The fault indication is entered into the history buffer as "current fault" in C0168/1.
- ▶ After TRIP reset, the fault indication is moved to C0168/2 as "last fault".

## 4.4 Fault elimination

### 4.4.1 Drive errors

Malfunction	Cause	Remedy
An asynchronous motor with feedback rotates in an uncontrolled manner and with low speed	<p>The motor phases are reversed so that the rotating field of the motor is not identical with the rotating field of the feedback system. The drive shows the following behaviour:</p> <ul style="list-style-type: none"> <li>• V/f characteristic control (C0006 = 5) <ul style="list-style-type: none"> <li>– The motor rotates faster than the speed setpoint by the value set in C0074 (influence of the speed controller, Lenze setting 10 % of <math>n_{max}</math>). After the controller is enabled, it does not stop at zero speed setpoint or quick stop (QSP).</li> <li>– The final motor current depends, among other things, on the set value of the <math>V_{min}</math> boost (C0016) and can rise to <math>I_{max}</math> (C0022). This may activate the fault message OC5.</li> </ul> </li> <li>• Vector control (C0006 = 1) <ul style="list-style-type: none"> <li>– The motor rotates slowly with maximum slip speed (depending on motor data and maximum current) and does not react to a speed setpoint. The direction of rotation, however, is determined by the sign of the speed setpoint.</li> <li>– The motor current rises up to <math>I_{max}</math> (C0022). This may activate the fault message OC5 with a time delay.</li> </ul> </li> </ul>	<ul style="list-style-type: none"> <li>• Check motor cable for correct phase relation.</li> <li>• If possible, operate the motor with deactivated feedback (C0025 = 1) and check the direction of rotation of the motor.</li> </ul>
Motor does not rotate although the controller is enabled (IMP is off) and a speed setpoint has been specified.	The two terminal strips X5 are reversed. Since X5/A1 and X5/28 face each other, the controller can be enabled if the control terminals are internally supplied. All other connections, however, are assigned incorrectly so that the motor cannot start.	<p>Check the position of the terminal strips:</p> <ul style="list-style-type: none"> <li>• If you look at the connection unit in reading direction, the left terminal strip X5 must be connected with the input signals and the right terminal strip X5 must be connected with the output signals.</li> </ul>
The monitoring of the motor phases (LP1) does not respond if a motor phase is interrupted, although C0597 = 0 or 2	The function block MLP1 is not entered into the processing table.	Enter the function block MLP1 into the processing table. The function block MLP1 requires 30 $\mu$ s of calculating time.
If during high speeds DC-injection braking (GSB) is activated, the fault OC1 (TRIP) or OU (TRIP) occurs	During DC-injection braking the controller sets pulse inhibit for a short time (DCTRL-IMP) to reduce the magnetisation in the motor before a DC voltage is injected into the motor. At high speeds (e. g. in case of mid-frequency motors) the residual voltage which develops from the residual magnetism and high speed can generate such a high motor current that OC1 or OU are activated.	<p>Prolong the duration of the pulse inhibit:</p> <ul style="list-style-type: none"> <li>• Connect the output signal DCTRL-IMP to the function block TRANSx and adjust the desired switch-off time there (usually 500 ms). If DCTRL-CINH1 is set to HIGH, the duration of the pulse inhibit is prolonged by the time adjusted.</li> </ul>

## 4 Troubleshooting and fault elimination

### Fault elimination Controller in clamp operation

#### 4.4.2 Controller in clamp operation

The clamp operation is a permissible operating mode. But since, however, pulse inhibit is set again and again, the controller cannot provide the optimum power.

If the output power is optimal, the output current mainly is right below the clamp threshold.

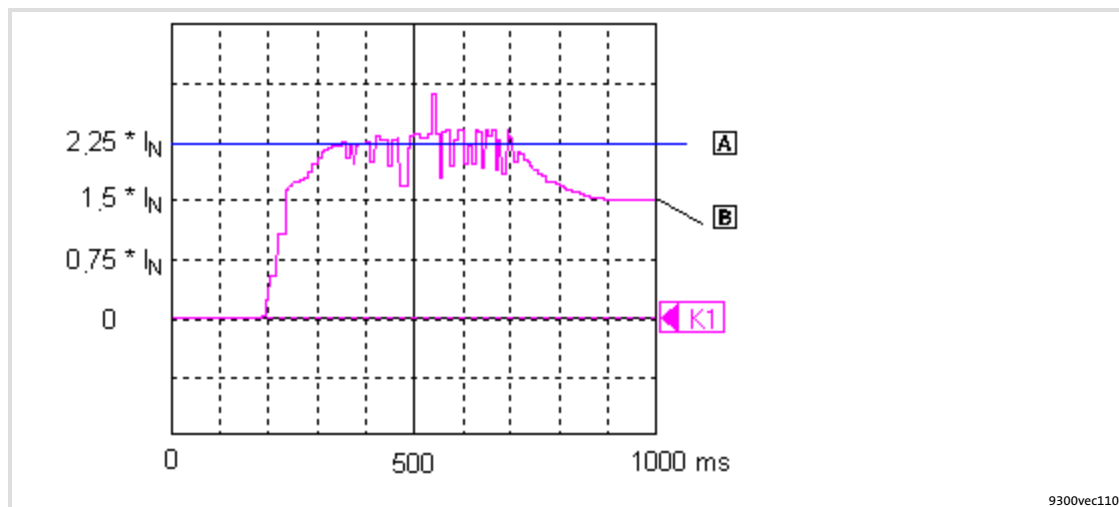


Fig. 4-1 Output current when starting a motor with high load (shown with the oscilloscope in GDC)

- A** Clamp threshold
- B** Output current

#### Function

1. When the output current reaches  $2.25 \times I_r$ , a software clamp is activated.
2. The controller sets pulse inhibit for a short time. The motor current decreases as a function of the inductance in the motor circuit.
  - An internal counter is increased by the value one.
3. After max.  $250 \mu\text{s}$  the pulse inhibit is deactivated.
4. If a software clamp reoccurs within 2 s, the internal counter is again increased by the value one. Otherwise the counter is set to zero.
  - If the counter reaches the value 4300, OC3 (TRIP) is activated.

### 4.4.3 Behaviour in case of overvoltage in the DC bus (OU message)

#### Description

If the DC-bus voltage ( $U_{DC}$ ) exceeds the switch-off threshold OU, the pulse inhibit is set. At the same time, an internal timing element starts for a delay time (C0912).

The pulse inhibit is deactivated if the voltage falls below the switch-on threshold OU and the delay time has elapsed.

Switching thresholds in case of overvoltage in the DC bus (OU):

Mains voltage range		C0173	Switch-off threshold OU	Switch-on threshold OU
< 400 V	Operation with / without brake chopper	0	770 V	755 V
400 V	Operation with / without brake chopper	1 *	770 V	755 V
460 V	Operation with / without brake chopper	2	770 V	755 V
480 V	Operation without brake chopper	3	770 V	755 V
480 V	Operation with brake chopper	4	800 V	785 V

\* Lenze setting

#### Codes for parameter setting

Code		Possible settings		IMPORTANT
No.	Name	Lenze	Selection	
C0912	OV delay time	→	{1 ms}	- Delay time of the pulse enable after an OU message → Depending on C0082, C0086, C0087, C0088, C0089, C0090, C0091, C0092 A change of one of the codes resets C0912 to the time of the selected motor ● The time is derived from the double rotor time constant

## Troubleshooting and fault elimination

### Fault elimination

#### Behaviour in case of overvoltage in the DC bus (OU message)

#### Adjustment

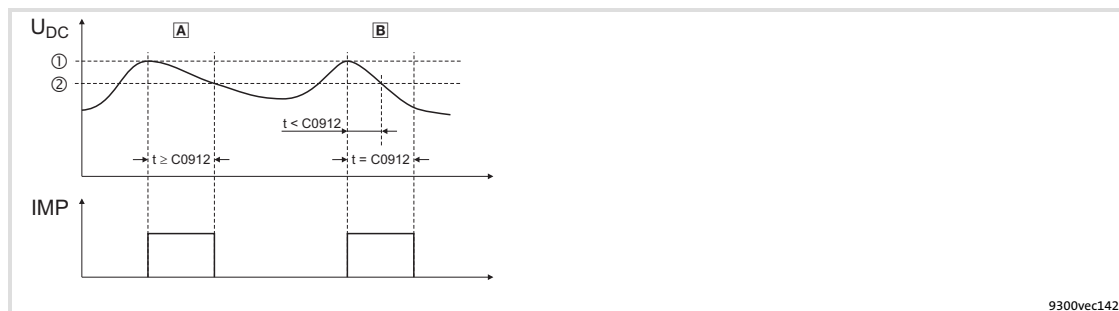


Fig. 4-2 Influence of the delay time (C0912)

① Switch-off threshold OU

② Switch-on threshold OU

**A** The period of time between exceeding the switch-off threshold OU and undershooting the switch-on threshold OU equals or is higher than the delay time set in C0912.

After undershooting the switch-on threshold OU, the pulse inhibit is deactivated.

**B** The period of time between exceeding the switch-off threshold OU and undershooting the switch-on threshold OU is lower than the delay time set in C0912.

The pulse inhibit is deactivated after the delay time in C0912 has elapsed.

- ▶ The delay time in [ms] is set under C0912. The Lenze setting can be changed by the factor 0.5 ... 2.

## 4.5 System error messages

## 4.5.1 General error messages

**Note!**

If the system error is retrieved via the system bus (CAN), the error messages are displayed as numbers (see column "Error message – No." of the below table).

Fault message		Description	Cause	Remedy
No.	Display			
---	---	No fault	-	-
0011	OC1	Overcurrent in motor cable ( $I_a > 2.25 \times I_N$ ; Hardware monitoring)	<p>In the event of a short circuit</p> <p>Capacitive charging current of the motor cable is too high</p> <p>Too short acceleration or deceleration times in proportion to the load (C0012, C0013, C0105)</p> <p>The drive is connected to the coasting machine. The coasting is caused by a short-time pulse inhibit, e.g. at</p> <ul style="list-style-type: none"> <li>• OU (overvoltage in the DC bus)</li> <li>• external or internal controller inhibit</li> </ul> <p>Encoder error</p> <ul style="list-style-type: none"> <li>• Tracks during encoder feedback of the motor speed are interchanged</li> </ul> <p>DC-injection braking at high speeds</p> <p>Missing mains phase</p>	<ul style="list-style-type: none"> <li>• Search for the cause of the short circuit.</li> <li>• Check the motor cable.</li> </ul> <p>Use motor cable which is shorter or of lower capacitance</p> <ul style="list-style-type: none"> <li>• Increase the gain (P component) of the <math>I_{max}</math> controller (C0075).</li> <li>• Reduce integral-action time (integral action component) of the <math>I_{max}</math> controller (C0076)</li> </ul> <ul style="list-style-type: none"> <li>• Activate flying restart circuit</li> </ul> <p>Check wiring of the encoder</p> <ul style="list-style-type: none"> <li>• See  35</li> </ul> <ul style="list-style-type: none"> <li>• Check the connections and the supply cable of the device</li> <li>• Check mains voltage</li> </ul>
0012	OC2	Motor cable earth fault	One of the motor phases has earth contact.	<ul style="list-style-type: none"> <li>• Search for cause of short circuit.</li> <li>• Check motor cable.</li> </ul>
0013	OC3	Overload during acceleration.	Too short acceleration or deceleration times in proportion to the load (C0012, C0013, C0105).	<ul style="list-style-type: none"> <li>• Increase the gain (P component) of the current controller (C0075).</li> <li>• Reduce the reset time (integral action component) of the <math>I_{max}</math> controller (C0076).</li> <li>• Increase ramp times.</li> <li>•  36, "controller in clamp operation (fault OC3)"</li> </ul>
0015	OC5	$I \times t$ overload	<ul style="list-style-type: none"> <li>• Frequent and too long acceleration with overcurrent</li> <li>• Continuous overload with <math>I_{motor} &gt; 1.05 \times I_{rx}</math>.</li> </ul>	Check drive dimensioning.

## 4 Troubleshooting and fault elimination

### System error messages

### General error messages

Fault message		Description	Cause	Remedy
No.	Display			
0016	OC6	$I^2xt$ overload	<ul style="list-style-type: none"> <li>Frequent and too long acceleration processes with motor overcurrent.</li> <li>Permanent motor overload with <math>I_{motor} &gt; I_{rmotor}</math></li> </ul>	Check drive dimensioning.
x018	OC8	$I^2xt$ overload advance warning	<ul style="list-style-type: none"> <li>Frequent and too long acceleration processes with motor overcurrent.</li> <li>Permanent motor overload with <math>I_{motor} &gt; I_{rmotor}</math></li> </ul>	Check drive dimensioning.
2020	OU	Overvoltage in the DC bus	Braking energy is too high. (DC-bus voltage is higher than set in C0173.)	<ul style="list-style-type: none"> <li>Use a braking unit or regenerative module.</li> <li>Check dimensioning of the brake resistor.</li> </ul>
1030	LU	Undervoltage in the DC bus	DC bus voltage is lower than specified in C0173.	<ul style="list-style-type: none"> <li>Check mains voltage</li> <li>Check supply cable</li> </ul>
x032	LP1	Motor phase failure	A current-carrying motor phase has failed.	<ul style="list-style-type: none"> <li>Check motor.</li> <li>Check motor cable.</li> <li>Switch off monitoring (C0597 = 3).</li> </ul>
			The current limit value is set too low.	<ul style="list-style-type: none"> <li>Set higher current limit value via C0599.</li> </ul>
0050	OH	Heatsink temperature > +90 °C	Ambient temperature $T_u > +40$ °C or > +50 °C	<ul style="list-style-type: none"> <li>Allow module to cool and ensure better ventilation.</li> <li>Check ambient temperature in the control cabinet.</li> </ul>
			Heatsink is very dirty.	Clean heatsink.
			Wrong mounting position	Change mounting position.
x053	OH3	Motor temperature > +150 °C threshold (temperature detection via resolver or incremental value encoder)	Motor is thermally overloaded due to: <ul style="list-style-type: none"> <li>Impermissible continuous current</li> <li>Frequent or too long acceleration processes</li> </ul>	<ul style="list-style-type: none"> <li>Check drive dimensioning.</li> <li>Switch off monitoring (C0583 = 3).</li> </ul>
			No PTC/temperature contact connected.	Correct wiring.
x054	OH4	Heatsink temperature > C0122	Ambient temperature $T_u > +40$ °C or > +50 °C	<ul style="list-style-type: none"> <li>Allow module to cool and ensure better ventilation.</li> <li>Check ambient temperature in the control cabinet.</li> <li>Switch off monitoring (C0582 = 3).</li> </ul>
			Heatsink is very dirty.	Clean heatsink
			Wrong mounting position	Change mounting position.
			The value specified under C0122 is set too low.	Enter a higher value under C0122.
x057	OH7	Motor temperature > C0121 (temperature detection via resolver or incremental value encoder)	Motor is thermally overloaded due to: <ul style="list-style-type: none"> <li>Impermissible continuous current</li> <li>Frequent or too long acceleration processes</li> </ul>	<ul style="list-style-type: none"> <li>Check drive dimensioning.</li> <li>Switch off monitoring (C0584 = 3).</li> </ul>
			No PTC/temperature contact connected.	Correct wiring.
			The value specified under C0121 is set too low.	Enter a higher value in C0121.

## Troubleshooting and fault elimination

4

System error messages  
General error messages

Fault message		Description	Cause	Remedy
No.	Display			
x058	OH8	Motor temperature via inputs T1 and T2 is too high.	Motor is thermally overloaded due to: <ul style="list-style-type: none"> <li>● Impermissible continuous current</li> <li>● Frequent or too long acceleration processes</li> </ul>	<ul style="list-style-type: none"> <li>● Check drive dimensioning.</li> <li>● Switch off monitoring (C0585 = 3).</li> </ul>
			Terminals T1 and T2 are not connected	Connect PTC/temperature contact.
x061	CE0	Automation interface (AIF) communication error	Faulty transfer of control commands via AIF.	<ul style="list-style-type: none"> <li>● Plug in the communication module/keypad XT firmly, screw down, if necessary.</li> <li>● Switch off monitoring (C0126 = 3).</li> </ul>
x062	CE1	Communication error on the process data input object CAN1_IN	CAN1_IN object receives faulty data or communication is interrupted.	<ul style="list-style-type: none"> <li>● Check wiring at X4.</li> <li>● Check sender.</li> <li>● Increase monitoring time under C0357/1, if necessary.</li> <li>● Switch off monitoring (C0591 = 3).</li> </ul>
x063	CE2	Communication error on the process data input object CAN2_IN	CAN2_IN object receives faulty data or communication is interrupted.	<ul style="list-style-type: none"> <li>● Check wiring at X4.</li> <li>● Check sender.</li> <li>● Increase monitoring time under C0357/2, if necessary.</li> <li>● Switch off monitoring (C0592 = 3).</li> </ul>
x064	CE3	Communication error on the process data input object CAN3_IN	CAN3_IN object receives faulty data or communication is interrupted.	<ul style="list-style-type: none"> <li>● Check wiring at X4.</li> <li>● Check sender.</li> <li>● Increase monitoring time under C0357/3, if necessary.</li> <li>● Switch off monitoring (C0593 = 3).</li> </ul>
x065	CE4	BUS-OFF state of system bus (CAN)	The controller has received too many faulty telegrams via the system bus (CAN) and has disconnected from the bus.	<ul style="list-style-type: none"> <li>● Check wiring at X4: Is the bus correctly terminated?</li> <li>● Check shield connection of the cables.</li> <li>● Check PE connection.</li> <li>● Check bus load, reduce the baud rate if necessary. (Observe the cable length!)</li> <li>● Switch off the monitoring (C0595 = 3).</li> </ul>
0071	CCr	System failure	Strong interference injection on the control cables	Screen control cables
			Ground or earth loops in the wiring	<ul style="list-style-type: none"> <li>● Check wiring</li> <li>● Check PE connection</li> </ul> <p><b>After troubleshooting: Deenergise the device completely (disconnect 24 V supply, discharge DC bus)!</b></p>
0072	PR1	Checksum error in parameter set 1 <b>CAUTION: The Lenze setting is loaded automatically!</b>	<ul style="list-style-type: none"> <li>● Fault when loading a parameter set.</li> <li>● Interruption while transmitting the parameter set via keypad.</li> </ul>	<ul style="list-style-type: none"> <li>● Set the required parameters and store them under C0003 = 1.</li> <li>● As to PLC devices, check the use of pointers.</li> </ul>
			The stored parameters are incompatible with the loaded software version.	Store the parameter set under C0003 = 1 first to allow for a faults reset.

## 4 Troubleshooting and fault elimination

### System error messages

### General error messages

Fault message		Description	Cause	Remedy
No.	Display			
0073	PR2	Checksum error in parameter set 2 <b>PLEASE NOTE: The Lenze setting is loaded automatically!</b>	<ul style="list-style-type: none"> <li>● Fault while loading a parameter set.</li> <li>● Interruption during the transfer of the parameter set via keypad.</li> </ul>	<ul style="list-style-type: none"> <li>● Set the required parameters and save them with C0003 = 2.</li> </ul>
			The parameters saved do not comply with the software version loaded.	In order to be able to acknowledge the error, first save the parameter set with C0003 = 2.
0074	PEr	Program error	Error in the program flow	Send the parameter set (on floppy disk/CD-ROM) with a detailed description of the problem to Lenze. <b>After troubleshooting: Deenergise the device completely (disconnect 24 V supply, discharge DC bus)!</b>
0075	PR0	Error in parameter set.	The operating system software has been updated.	Storage of the Lenze setting C0003 = 1. <b>After troubleshooting: Deenergise the device completely (disconnect 24 V supply, discharge DC bus)!</b>
0077	PR3	Checksum error in parameter set 3 <b>PLEASE NOTE: The Lenze setting is loaded automatically!</b>	<ul style="list-style-type: none"> <li>● Fault while loading a parameter set.</li> <li>● Interruption during the transfer of the parameter set via keypad.</li> </ul>	<ul style="list-style-type: none"> <li>● Set the required parameters and save them with C0003 = 3.</li> </ul>
			The parameters saved do not comply with the software version loaded.	In order to be able to acknowledge the error, first save the parameter set with C0003 = 3.
0078	PR4	Checksum error in parameter set 4 <b>PLEASE NOTE: The Lenze setting is loaded automatically!</b>	<ul style="list-style-type: none"> <li>● Fault while loading a parameter set.</li> <li>● Interruption during the transfer of the parameter set via keypad.</li> </ul>	<ul style="list-style-type: none"> <li>● Set the required parameters and save them with C0003 = 4.</li> </ul>
			The parameters saved do not comply with the software version loaded.	In order to be able to acknowledge the error, first save the parameter set with C0003 = 4.
0079	PI	Fault during parameter initialisation	<ul style="list-style-type: none"> <li>● An error has been detected during the parameter set transfer between two devices.</li> <li>● The parameter set does not match the controller, e.g. if data has been transferred from a higher-power controller to a lower-power controller.</li> </ul>	<ul style="list-style-type: none"> <li>● Correct parameter set.</li> <li>● Send parameter set (on floppy disk/CD-ROM) and a detailed description of the problem to Lenze.</li> </ul>
x083	Sd3	Encoder error at X9	Cable interrupted.	Check cable for open circuit.
			Pin X9/8 not connected.	Apply 5 V to pin X9/8 or switch off monitoring (C0587 = 3).
x085	Sd5	Encoder error at X6/1 and X6/2 (C0034 = 1)	Current signal at X6/1 X6/2 < 2mA.	<ul style="list-style-type: none"> <li>● Check cable for open circuit.</li> <li>● Check current signal encoder.</li> <li>● Switch off monitoring (C0598 = 3).</li> </ul>
x086	Sd6	Motor temperature sensor error (X7 or X8)	Encoder for detecting the motor temperature at X7 or X8 indicates undefined values.	<ul style="list-style-type: none"> <li>● Check cable for firm connection.</li> <li>● Switch off the monitoring (C0594 = 3).</li> </ul>
x091	EEr	External monitoring has been triggered via DCTRL.	A digital signal assigned to the TRIP-SET function has been activated.	<ul style="list-style-type: none"> <li>● Check external encoder.</li> <li>● Switch off the monitoring (C0581 = 3).</li> </ul>
0105	H05	Internal fault (memory)		Contact Lenze.



Fault message		Description	Cause	Remedy
No.	Display			
0107	H07	Internal fault (power stage)	During initialisation of the controller, an incorrect power stage was detected.	Contact Lenze.
x110	H10	Heatsink temperature sensor error	Sensor for detecting the heatsink temperature indicates undefined values.	<ul style="list-style-type: none"> <li>Contact Lenze.</li> <li>Switch off the monitoring (C0588 = 3).</li> </ul>
x111	H11	Temperature sensor error: Temperature inside the controller	Sensor for detecting the internal temperature indicates undefined values.	<ul style="list-style-type: none"> <li>Contact Lenze.</li> <li>Switch off the monitoring (C0588 = 3).</li> </ul>
0140	ID1	Error during motor data identification.	No motor connected.	Check motor connection.
			Stator resistance too high.	Check entered motor data.
			Controller inhibited externally.	Enable controller and repeat motor data identification. The controller enable must be pending continuously until the end of the identification process.
0141	ID2	Error during motor data identification.	Motor too small.	<ul style="list-style-type: none"> <li>Check entered motor data. For parameterisation with Global Drive Control, use the input assistant for motor data.</li> <li>The measurements for the inverter error characteristic and the stator resistance are correct (save measured values in C0003). For the operating mode V/f characteristic control the motor data identification can be completed.</li> </ul>
			Controller inhibited externally.	Enable controller and repeat motor data identification. The controller enable must be pending continuously until the end of the identification process.
x200	NMAX	Maximum system speed (C0596) has been exceeded.	<ul style="list-style-type: none"> <li>Active load (e.g. for hoists) is too high.</li> <li>Drive is not speed-controlled, torque is excessively limited.</li> </ul>	<ul style="list-style-type: none"> <li>Check drive dimensioning.</li> <li>Increase torque limit, if necessary.</li> <li>Switch off monitoring (C0607 = 3).</li> </ul>

Representation of the error number:

x 0 = TRIP, 1 = message, 2 = warning

E. g. "2091": An external monitoring function has triggered EEr warning

#### 4.5.2 Resetting system error messages

Response	Measures for resetting the fault message
TRIP	<p> <b>Note!</b> If a TRIP source is still active, the pending TRIP cannot be reset.</p> <p>Resetting the TRIP can be effected by:</p> <ul style="list-style-type: none"> <li>Pressing the keypad XT EMZ9371 BC ⇒ <b>STOP</b>. Then press <b>RUN</b> to re-enable the controller.</li> <li>Setting code C0043 = 0.</li> <li>Control word C0135, bit 11</li> <li>Control word AIF</li> <li>Control word of system bus (CAN)</li> </ul> <p>After resetting the TRIP, the drive remains at standstill.</p>
Message	<p> <b>Danger!</b> After elimination of the fault, the fault message is cancelled automatically and the drive restarts automatically.</p>
Warning	After elimination of the fault, the fault message is cancelled automatically.



© 03/2010



Lenze Automation GmbH  
Grünstraße 36  
D-40667 Meerbusch  
Germany



+49 (0)21 32 / 99 04-0



+49 (0)21 32 / 7 21 90



Lenze@Lenze.de



www.Lenze.com

Service

Lenze Service GmbH  
Breslauer Straße 3  
D-32699 Extertal  
Germany



00 80 00 / 24 4 68 77 (24 h helpline)



+49 (0)51 54 / 82-11 12



Service@Lenze.de

EDKVF93-01 ■ 13330574 ■ EN ■ 2.0 ■ TD14

10 9 8 7 6 5 4 3 2 1