

# L-force Drives



Montageanleitung

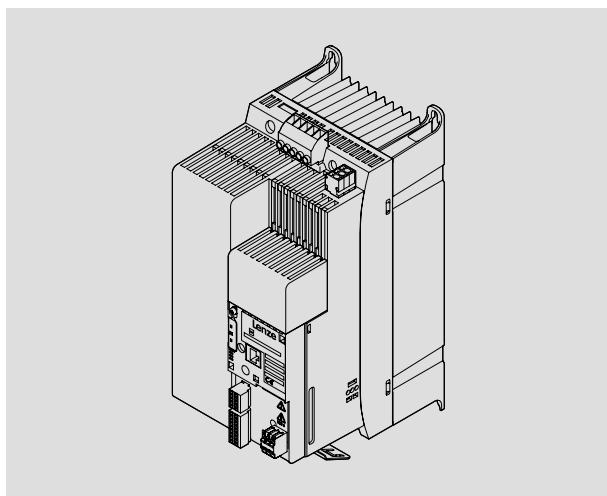
Mounting Instructions

Instructions de montage

Instrucciones para el montaje

Istruzioni per il montaggio

**8400** 3.0 ... 22 kW



**E84AVSCExxx StateLine C**

**Frequenzumrichter**

*Frequency Inverter*

**Convertisseur de fréquence**

*Convertidor de frecuencia*

**Inverter di frequenza**



## Warnings!

Operation of this equipment requires detailed installation and operation instructions provided in the Hardware manual intended for use with this product. This information is provided on the CD-ROM included in the container this device was packaged in. It should be retained with this device at all times. A hard copy of this information may be ordered by phone or e-mail, printed on the back of this document.



## Gefahr!

### Gefährliche elektrische Spannung

- ▶ Die Leistungsanschlüsse X100 und X105 führen bis zu 3 Minuten nach Netz-Ausschalten gefährliche elektrische Spannung.

### Mögliche Folgen:

- ▶ Tod oder schwere Verletzungen beim Berühren der Leistungsanschlüsse.

### Schutzmaßnahmen:

- ▶ Vor Arbeiten am Gerät Netzspannung ausschalten und mindestens 3 Minuten warten.
- ▶ Prüfen, ob alle Leistungsanschlüsse spannungsfrei sind.

**Beachten Sie auch weitere wichtige Informationen zur Geräte- und Sicherheitstechnik auf der beiliegenden CD-ROM!**



## Danger!

### Dangerous voltage

- ▶ The power terminals X100 and X105 carry dangerous voltages for up to 3 minutes after mains disconnection.

### Possible consequences:

- ▶ Death or severe injury if the power terminals are touched.

### Protective measures:

- ▶ Switch off the mains voltage and wait at least 3 minutes before starting to work on the device.
- ▶ Check that all power terminals are deenergised.

**Please also observe more important information on device and safety technology provided on the enclosed CD-ROM!**



## Danger !

### Tension électrique dangereuse

- ▶ Les raccordements de puissance X100 et X105 sont susceptibles de véhiculer une tension dangereuse jusqu'à 3 minutes après une coupure réseau.

### Risques encourus :

- ▶ Mort ou blessures graves en cas de contact avec les raccordements de puissance

### Mesures de protection :

- ▶ Avant toute manipulation de l'appareil, couper la tension réseau et attendre 3 minutes au minimum.
- ▶ S'assurer que tous les raccordements de puissance sont hors tension.

**Veillez également tenir compte des consignes importantes sur la technologie des appareils et les fonctions de sécurité comprises sur le CD-ROM joint!**



## ¡Peligro!

### Voltaje eléctrico peligroso

- ▶ Las conexiones de potencia X100 y X105 siguen vivas hasta 3 minutos después de la desconexión de red.

### Posibles consecuencias:

- ▶ Muerte o serias lesiones al tocar las conexiones de potencia.

### Medidas de protección:

- ▶ Antes de trabajar en el equipo, desconectar la alimentación de red y esperar por lo menos 3 minutos.
- ▶ Comprobar, si todas las conexiones de potencia están libres de voltaje.

**Observe también la información importante sobre aspectos relativos a la técnica del dispositivo y de seguridad incluida en el CD-ROM adjunto!**



## Pericolo!

### Tensione elettrica pericolosa

- ▶ I collegamenti di potenza X100 e X105 presentano una tensione elettrica pericolosa fino a 3 minuti dopo la disinserzione della rete.

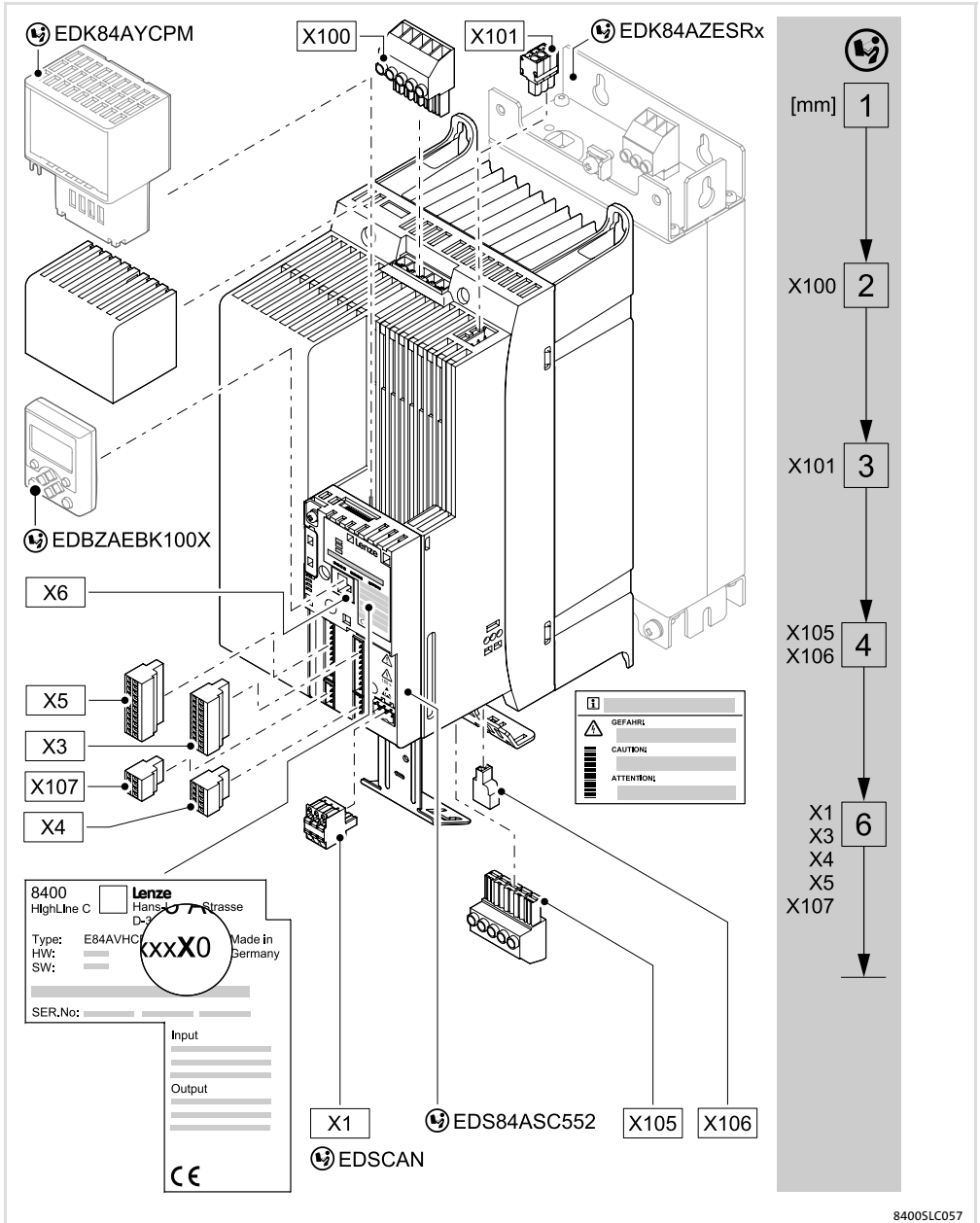
### Possibili conseguenze:

- ▶ Morte o gravi lesioni in caso di contatto con i collegamenti di potenza.

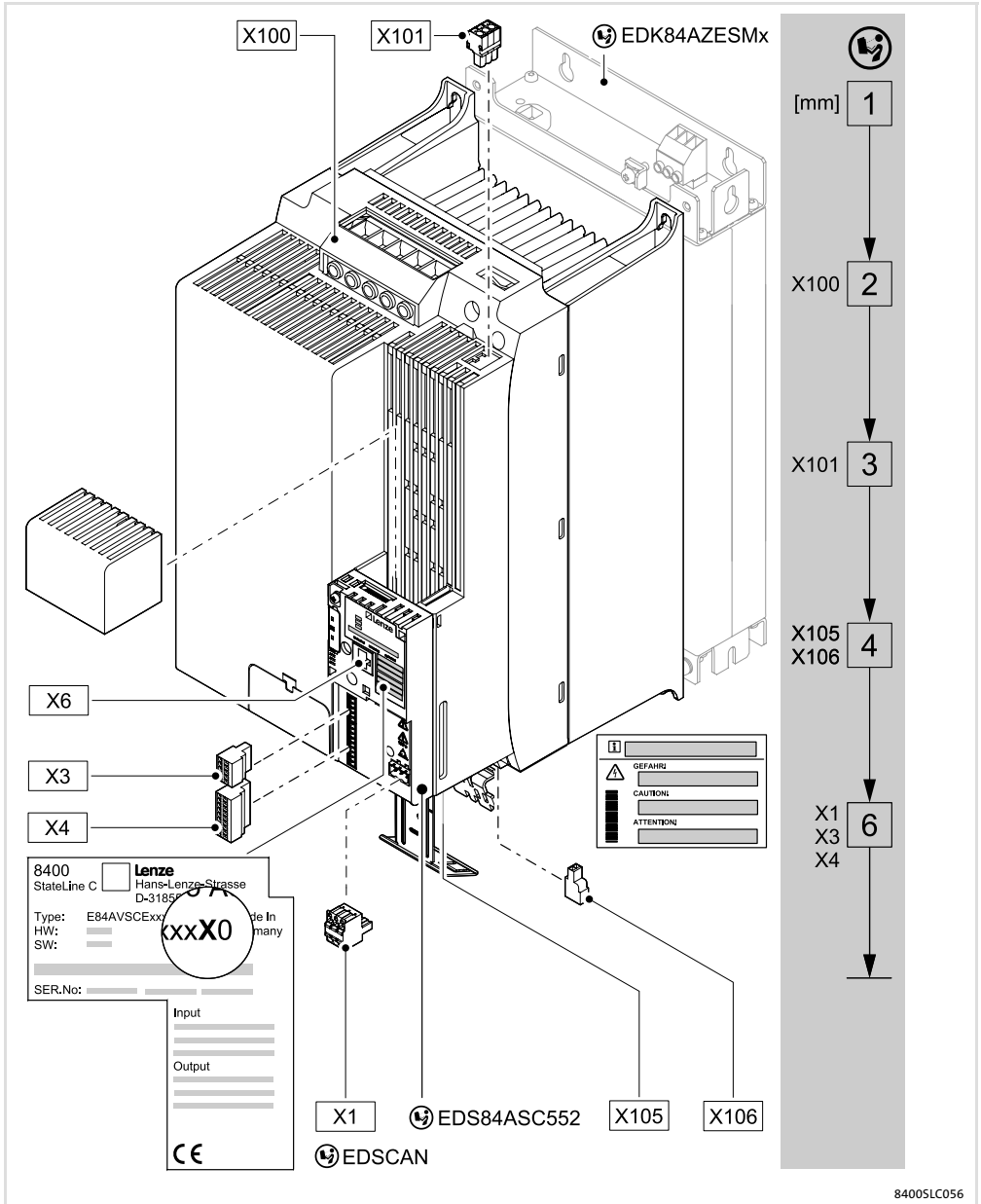
### Misure di protezione:

- ▶ Attendere almeno 3 minuti prima di eseguire qualsiasi intervento sui collegamenti di potenza.
- ▶ Controllare tutti i collegamenti di potenza per accertare l'assenza di tensione.

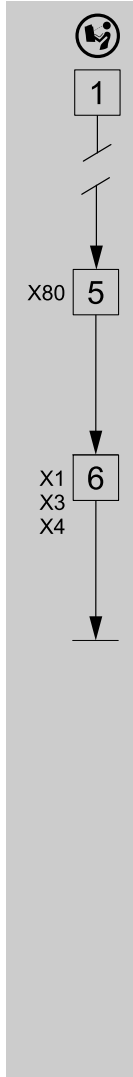
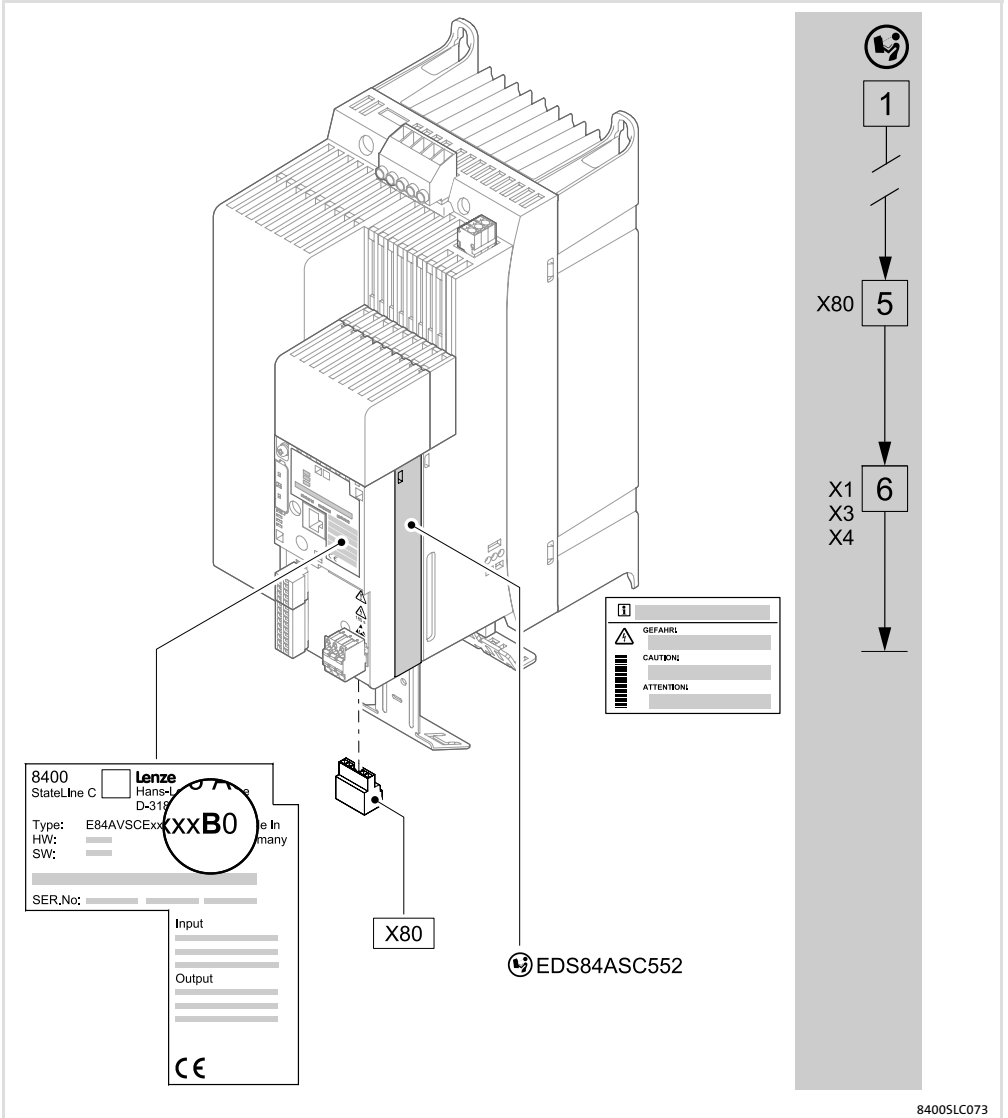
**Osservare anche le ulteriori informazioni importanti relative a installazione e sicurezza incluse nel CD-ROM allegato!**



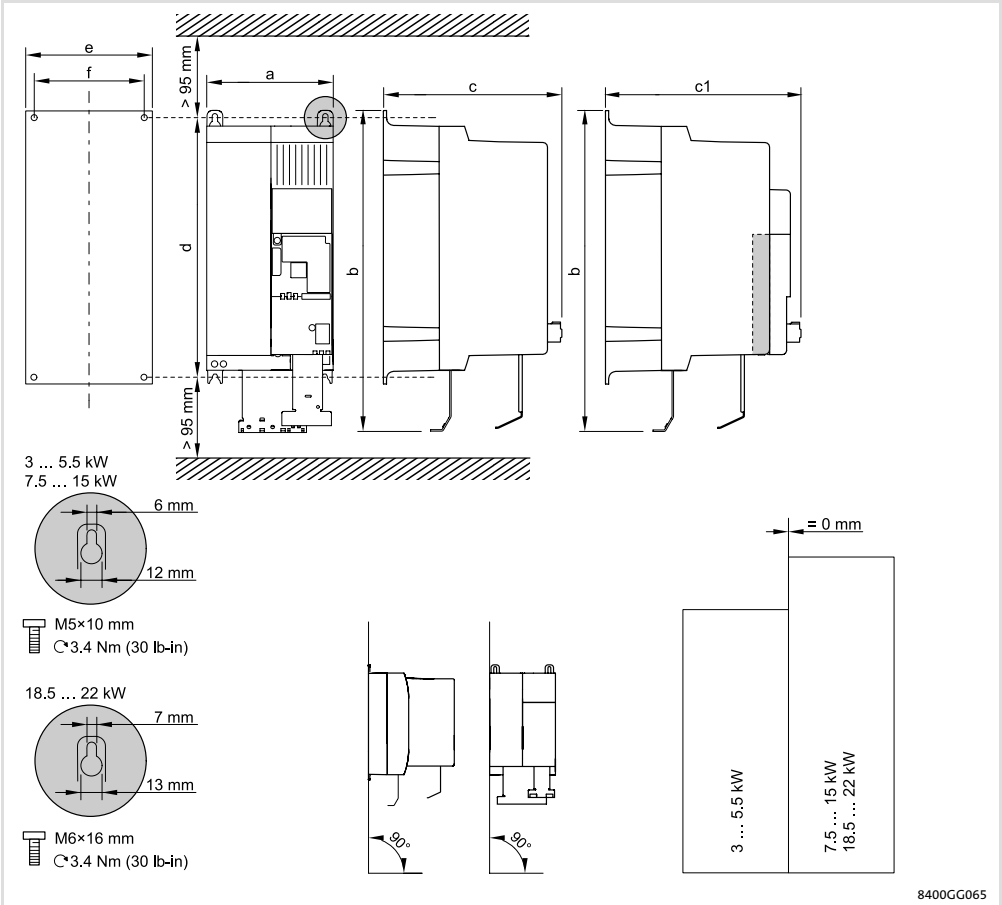
8400SLC057




8400SLC056

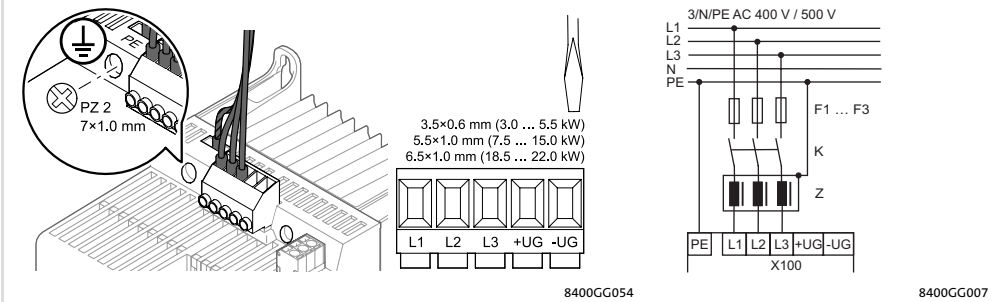


8400SLC073

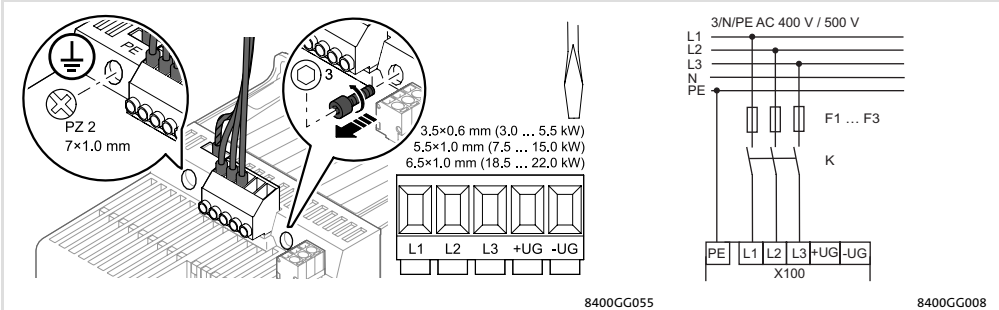


		a	b	c	c1	d	e	f	
	[kW]	[mm]	[mm]	[mm]	[mm]	[mm]	[mm]	[mm]	[kg]
E84AVSCE3024 E84AVSCE4024 E84AVSCE5524	3 ... 5.5	140	360	199	219	285	140	120	4.4
E84AVSCE7524 E84AVSCE1134 E84AVSCE1534	7.5 ... 15	140	416	199	219	340	140	120	5.8
E84AVSCE1834 E84AVSCE2234	18.5 ... 22	205	430	250	270	340	205	180	12.0

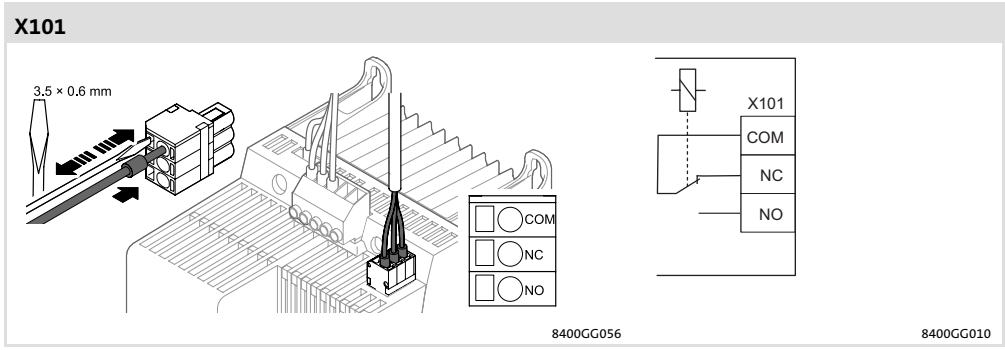
**X100 - TN, TT**



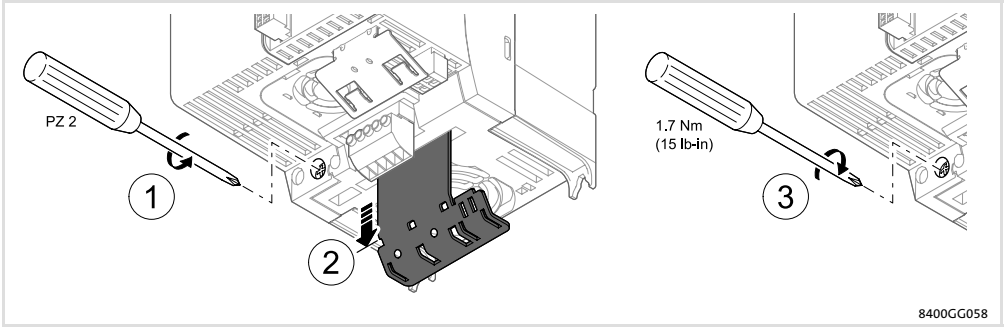
**X100 - IT**



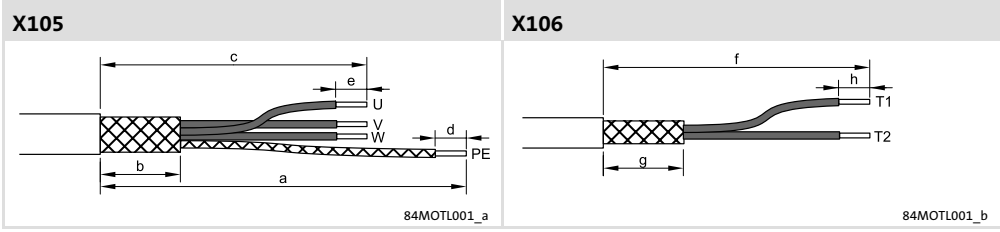
	F						L1, L2, L3			PE		
	EN 60204				UL		[mm <sup>2</sup> ] [AWG]	[mm]	[Nm] [lb-in]	[mm <sup>2</sup> ] [AWG]	[mm]	[Nm] [lb-in]
	[A]		[A]		[A]	[A]						
E84AVSCE3024	10	C10	16	C16	15	15	1 ... 6 18 ... 10	14	0.5 4.4	2.5 ... 16 12 ... 6	14	3.4 30
E84AVSCE4024	16	C16	16	C16	20	20						
E84AVSCE5524	20	C20	25	C25	20	20						
E84AVSCE7524	20	C20	32	C32	20	25	1 ... 16 18 ... 6	14	1.2 10.6	2.5 ... 16 12 ... 6	14	3.4 30
E84AVSCE1134	32	C32	32	C32	30	40						
E84AVSCE1534	32	C32	-	-	40	-						
E84AVSCE1834	50	C50	-	-	-	-	1.5 ... 25 16 ... 2	14	3.5 31	2.5 ... 25 12 ... 2	16	4.0 35
E84AVSCE2234	63	C63	-	-	-	-						



	COM, NC, NO	
	[mm <sup>2</sup> ] [AWG]	[mm]
E84AVSCE3024 E84AVSCE4024 E84AVSCE5524	0.2 ... 1.5 24 ... 16	10
E84AVSCE7524 E84AVSCE1134 E84AVSCE1534	0.2 ... 1.5 24 ... 16	10
E84AVSCE1834 E84AVSCE2234	0.2 ... 1.5 24 ... 16	10



8400GG058

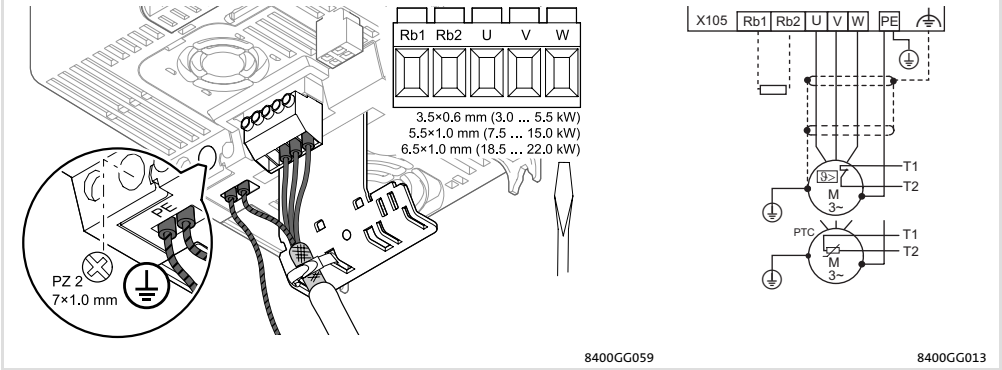


84MOTL001\_a

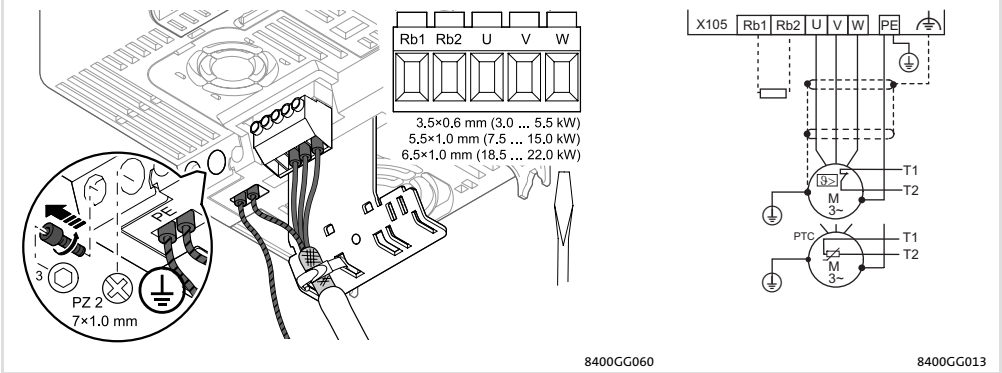
84MOTL001\_b

	U, V, W				PE				T1, T2				
	b	c	e			a	d			f	g	h	
	[mm]	[mm]	[mm]	[mm <sup>2</sup> ] [AWG]	[Nm] [lb-in]	[mm]	[mm]	[mm <sup>2</sup> ] [AWG]	[Nm] [lb-in]	[mm]	[mm]	[mm]	[mm <sup>2</sup> ] [AWG]
E84AVSCE3024	25	70	14	1 ... 6	0.5	125	14	2.5 ... 16	3.4	105	25	10	0.2 ... 1.5
E84AVSCE4024				18 ... 10	4.4			12 ... 6	30				24 ... 16
E84AVSCE5524													
E84AVSCE7524	25	80	14	1 ... 16	1.2	120	14	2.5 ... 16	3.4	115	25	10	0.2 ... 1.5
E84AVSCE1134				18 ... 6	10.6			12 ... 6	30				24 ... 16
E84AVSCE1534													
E84AVSCE1834	30	110	16	1.5 ... 25	3.5	195	16	2.5 ... 25	4.0	160	30	10	0.2 ... 1.5
E84AVSCE2234				16 ... 2	31			12 ... 2	35				24 ... 16

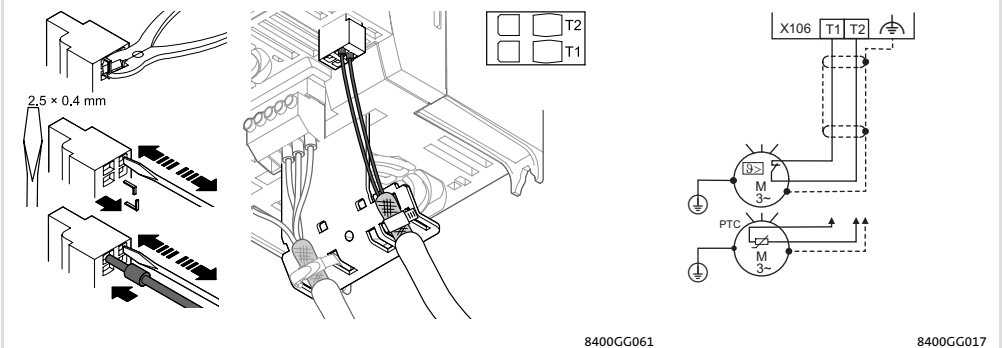
X105 - TN, TT

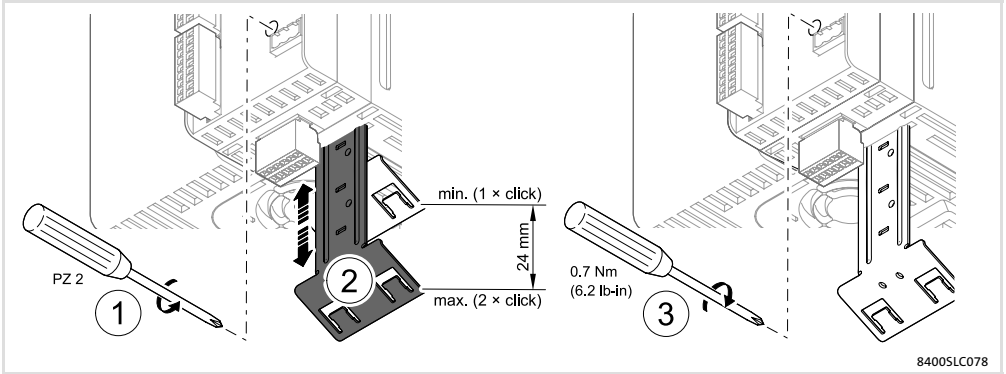


X105 - IT

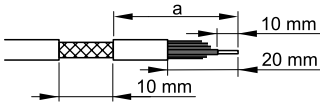


X106





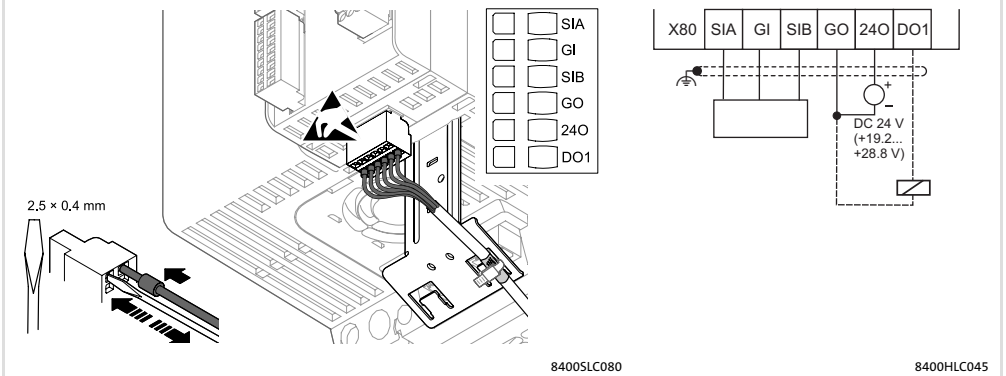
X80

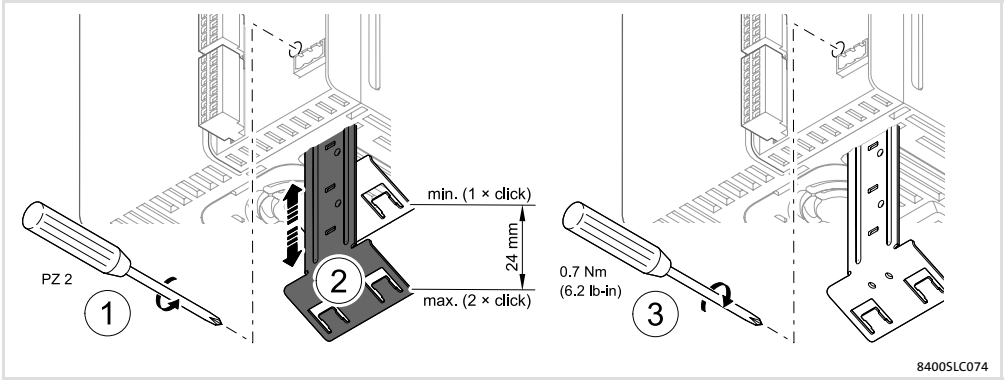


X80

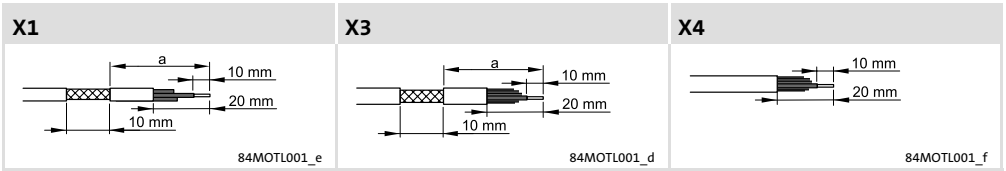
min.	max.	
a	a	
[mm]	[mm]	[mm <sup>2</sup> ] [AWG]
60	75	0.2 ... 1.5 24 ... 16

X80





84005LC074

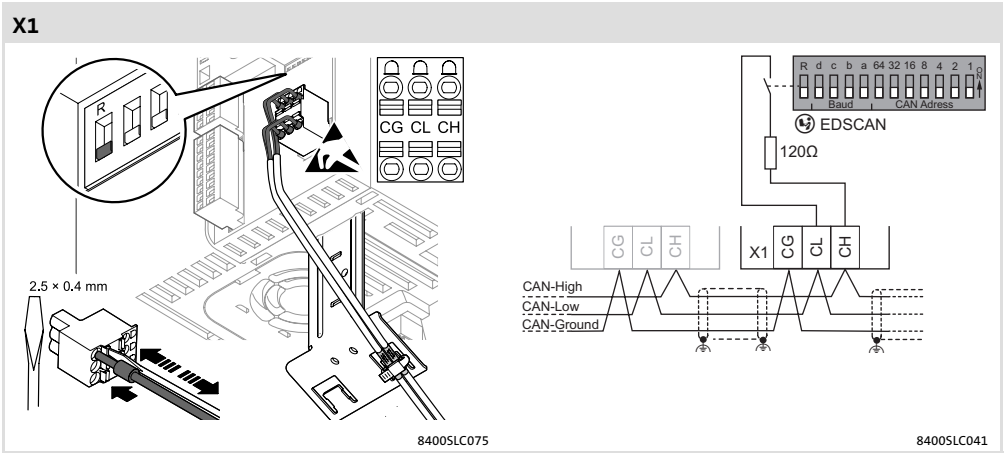


84MOTL001\_e

84MOTL001\_d

84MOTL001\_f

X1			X3			X4
min.	max.		min.	max.		
a	a		a	a		
[mm]	[mm]	[mm <sup>2</sup> ] [AWG]	[mm]	[mm]	[mm <sup>2</sup> ] [AWG]	[mm <sup>2</sup> ] [AWG]
110	135	0.2 ... 1.5 24 ... 16	150	175	0.2 ... 1.5 24 ... 16	0.2 ... 1.5 24 ... 16



84005LC075

84005LC041

**X3**

AR  
A1U  
A1I  
GA  
O1U

2.5 × 0.4 mm

GND  
+10 V / 10 mA

X3 O1U GA A1I A1U AR

0 ... 10 V  
2 mA

0 ... 10 V  
1k ... 10k

8400SLC076 8400SLC043

**X4**

24E  
24I  
RFR  
DI1  
DI2  
DI3  
DI4  
DO1  
GIO

2.5 × 0.4 mm

GND-IO  
24 V int.  
50 mA  
3.3k  
3.3k  
3.3k  
3.3k  
3.3k  
50 mA

X4 GIO DO1 DI4 DI3 DI2 DI1 RFR 24I 24E

S1

+ DC 24 V  
(+19.2...  
+28.8 V)

8400SLC077 8400SLC045





© 12/2009



Lenze Drives GmbH  
Postfach 10 13 52  
D-31763 Hameln  
Germany



+49 (0)51 54 / 82-0



+49 (0)51 54 / 82-28 00



Lenze@Lenze.de



www.Lenze.com

Service Lenze Service GmbH  
Breslauer Straße 3  
D-32699 Extertal  
Germany



00 80 00 / 24 4 68 77 (24 h helpline)



+49 (0)51 54 / 82-11 12



Service@Lenze.de