

EDK84VSCE222
13317338



L-force *Drives*

Montageanleitung

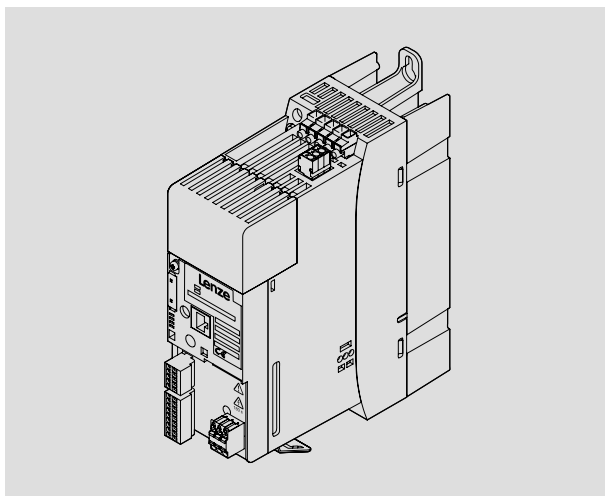
Mounting Instructions

Instructions de montage

Instrucciones para el montaje

Istruzioni per il montaggio

8400 0.25 ... 2.2 kW



E84AVSCExxx StateLine C

Frequenzumrichter

Frequency Inverter

Convertisseur de fréquence

Convertidor de frecuencia

Inverter di frequenza

Lenze



Warnings!

Operation of this equipment requires detailed installation and operation instructions provided in the Hardware manual intended for use with this product. This information is provided on the CD-ROM included in the container this device was packaged in. It should be retained with this device at all times. A hard copy of this information may be ordered by phone or e-mail, printed on the back of this document.



Gefahr!

Gefährliche elektrische Spannung

- ▶ Die Leistungsanschlüsse X100 und X105 führen bis zu 3 Minuten nach Netz-Ausschalten gefährliche elektrische Spannung.

Mögliche Folgen:

- ▶ Tod oder schwere Verletzungen beim Berühren der Leistungsanschlüsse.

Schutzmaßnahmen:

- ▶ Vor Arbeiten am Gerät Netzspannung ausschalten und mindestens 3 Minuten warten.
- ▶ Prüfen, ob alle Leistungsanschlüsse spannungsfrei sind.

Beachten Sie auch weitere wichtige Informationen zur Geräte- und Sicherheitstechnik auf der beiliegenden CD-ROM!



Danger!

Dangerous voltage

- ▶ The power terminals X100 and X105 carry dangerous voltages for up to 3 minutes after mains disconnection.

Possible consequences:

- ▶ Death or severe injury if the power terminals are touched.

Protective measures:

- ▶ Switch off the mains voltage and wait at least 3 minutes before starting to work on the device.
- ▶ Check that all power terminals are deenergised.

Please also observe more important information on device and safety technology provided on the enclosed CD-ROM!



Danger !

Tension électrique dangereuse

- ▶ Les raccordements de puissance X100 et X105 sont susceptibles de véhiculer une tension dangereuse jusqu'à 3 minutes après une coupure réseau.

Risques encourus :

- ▶ Mort ou blessures graves en cas de contact avec les raccordements de puissance

Mesures de protection :

- ▶ Avant toute manipulation de l'appareil, couper la tension réseau et attendre 3 minutes au minimum.
- ▶ S'assurer que tous les raccordements de puissance sont hors tension.

Veillez également tenir compte des consignes importantes sur la technologie des appareils et les fonctions de sécurité comprises sur le CD-ROM joint!



¡Peligro!

Voltaje eléctrico peligroso

- ▶ Las conexiones de potencia X100 y X105 siguen vivas hasta 3 minutos después de la desconexión de red.

Posibles consecuencias:

- ▶ Muerte o serias lesiones al tocar las conexiones de potencia.

Medidas de protección:

- ▶ Antes de trabajar en el equipo, desconectar la alimentación de red y esperar por lo menos 3 minutos.
- ▶ Comprobar, si todas las conexiones de potencia están libres de voltaje.

Observe también la información importante sobre aspectos relativos a la técnica del dispositivo y de seguridad incluida en el CD-ROM adjunto!



Pericolo!

Tensione elettrica pericolosa

- ▶ I collegamenti di potenza X100 e X105 presentano una tensione elettrica pericolosa fino a 3 minuti dopo la disinserzione della rete.

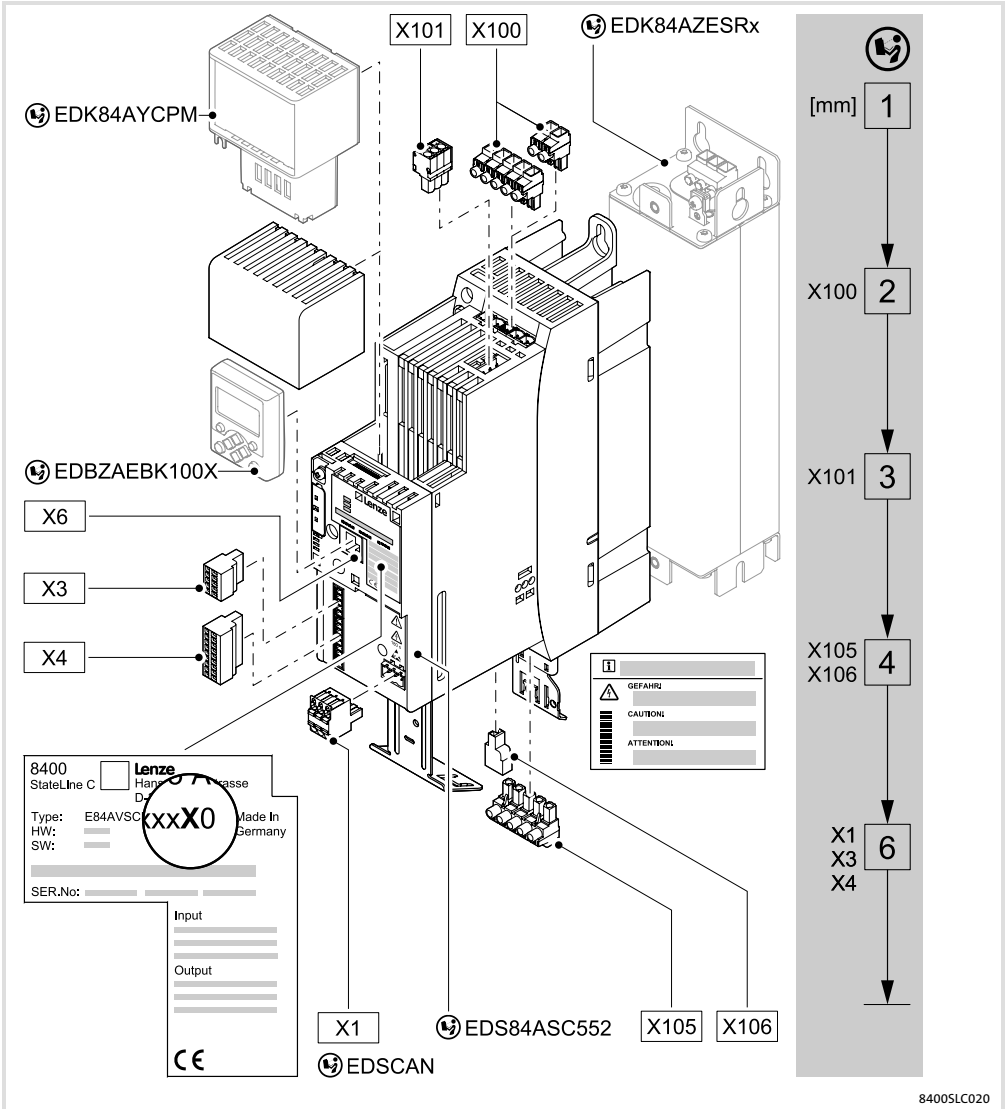
Possibili conseguenze:

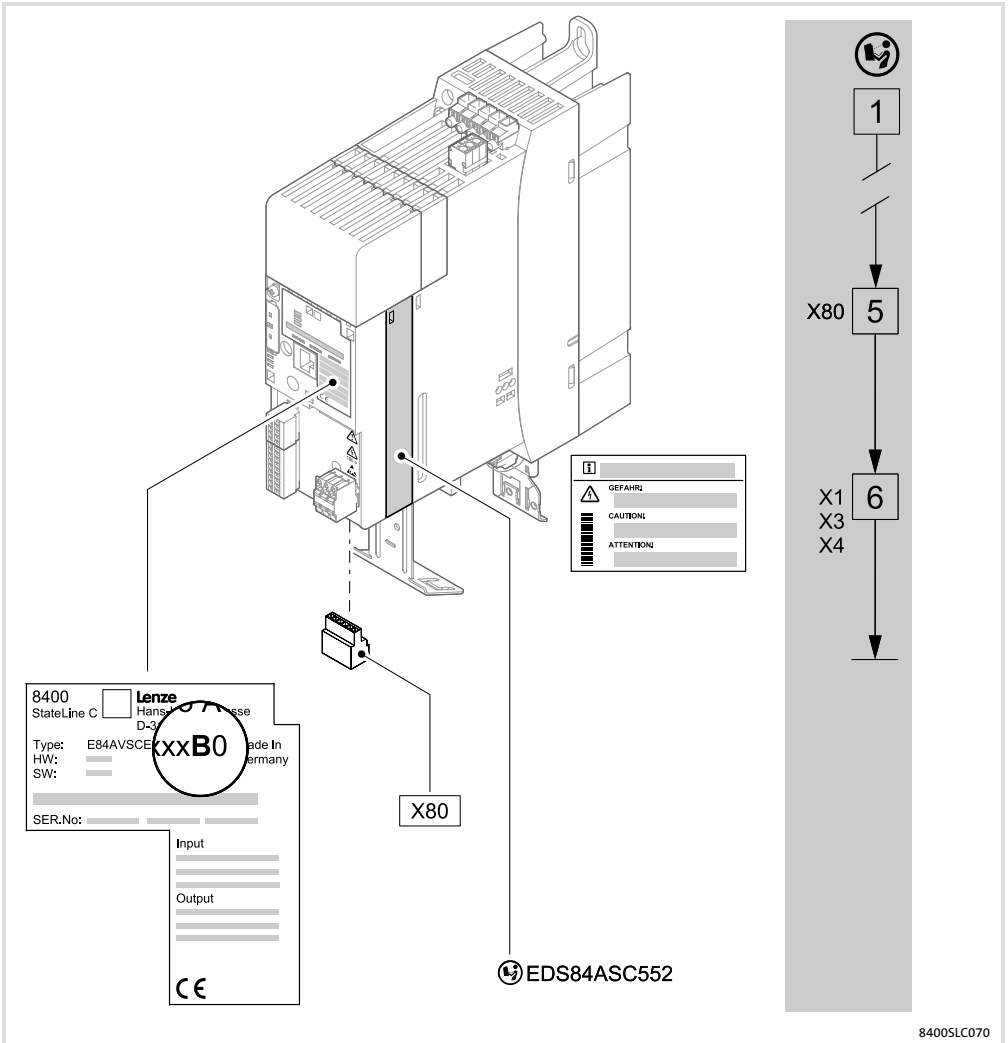
- ▶ Morte o gravi lesioni in caso di contatto con i collegamenti di potenza.

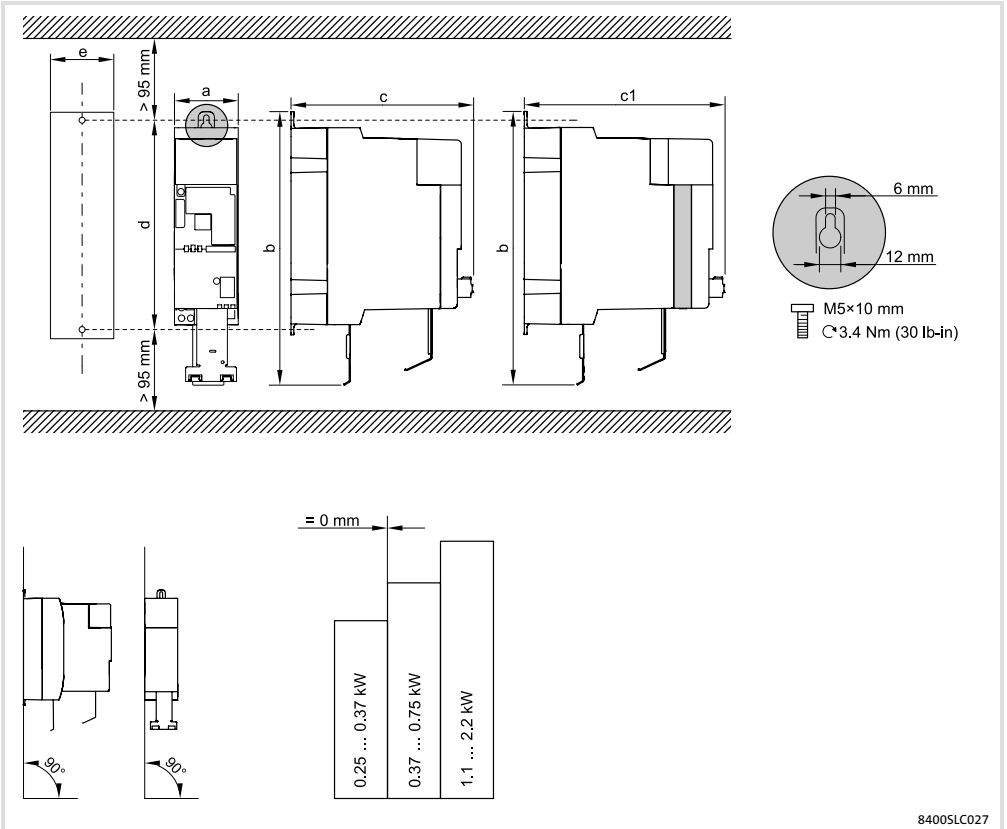
Misure di protezione:

- ▶ Attendere almeno 3 minuti prima di eseguire qualsiasi intervento sui collegamenti di potenza.
- ▶ Controllare tutti i collegamenti di potenza per accertare l'assenza di tensione.


Osservare anche le ulteriori informazioni importanti relative a installazione e sicurezza incluse nel CD-ROM allegato!



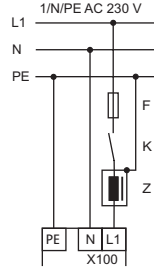
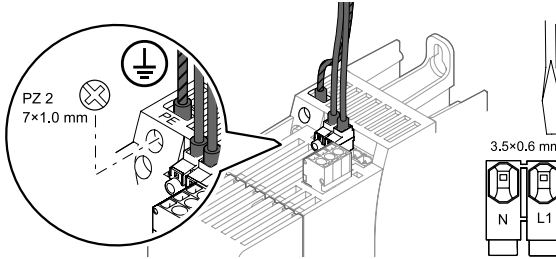




84005LC027

		a	b	c	c1	d	e	
	[kW]	[mm]	[mm]	[mm]	[mm]	[mm]	[mm]	[kg]
E84AVSCE2512 E84AVSCE3712	0.25 ... 0.37	70	235	199	219	180	70	1.3
E84AVSCE551x E84AVSCE751x E84AVSCE3714	0.37 ... 0.75	70	285	199	219	230	70	1.8
E84AVSCE112x E84AVSCE152x E84AVSCE222x	1.1 ... 2.2	70	340	199	219	285	70	2.1

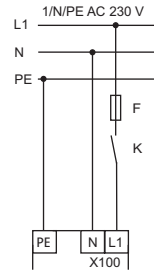
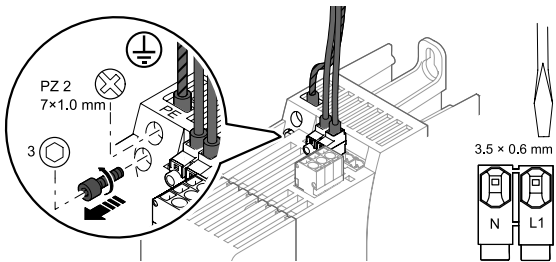
X100 - TN, TT



8400GG001

8400GG003

X100 - IT

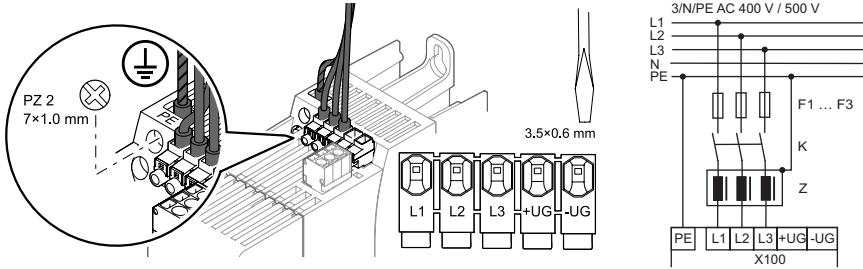


8400GG002

8400GG004

	F						L1, N			PE		
	EN 60204		UL		UL		[mm ²] [AWG]	[mm]	[Nm] [lb-in]	[mm ²] [AWG]	[mm]	[Nm] [lb-in]
	[A]		[A]		[A]	[A]						
E84AVSCE2512	6	C6	6	C6	6	6	7	0.5 4.4	1 ... 6 18 ... 10	10	1.7 15	
E84AVSCE3712	6	C6	6	C6	10	10						
E84AVSCE5512	10	C10	10	C10	10	10						
E84AVSCE7512	10	C10	10	C10	15	15						
E84AVSCE1122	16	C16	16	C16	20	20	8					
E84AVSCE1522	16	C16	20	C20	25	25						
E84AVSCE2222	20	C20	25	C25	30	30						

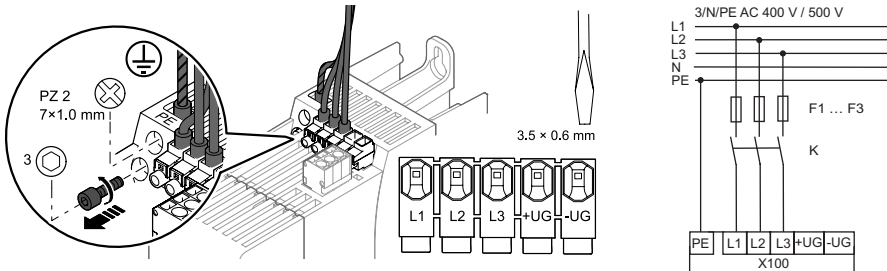
X100 - TN, TT



8400GG005

8400GG007

X100 - IT

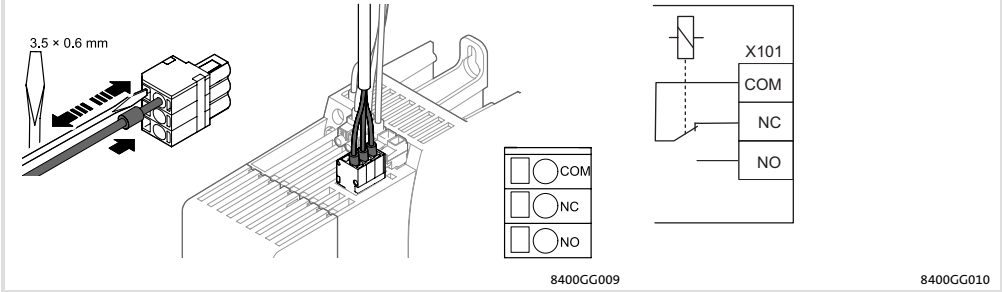


8400GG006

8400GG008

	F						L1, L2, L3			PE		
	EN 60204				UL		[mm ²] [AWG]	[mm]	[Nm] [lb-in]	[mm ²] [AWG]	[mm]	[Nm] [lb-in]
	—		/		—							
	[A]		[A]		[A]							
E84AVSCE3714	6	C6	6	C6	6	6	1 ... 2.5 18 ... 12	7	0.5 4.4	1 ... 6 18 ... 10	10	1.7 15
E84AVSCE5514	6	C6	6	C6	6	6						
E84AVSCE7514	6	C6	6	C6	6	6						
E84AVSCE1124	6	C6	10	C10	10	10						
E84AVSCE1524	6	C6	10	C10	10	10						
E84AVSCE2224	10	C10	10	C10	10	10						

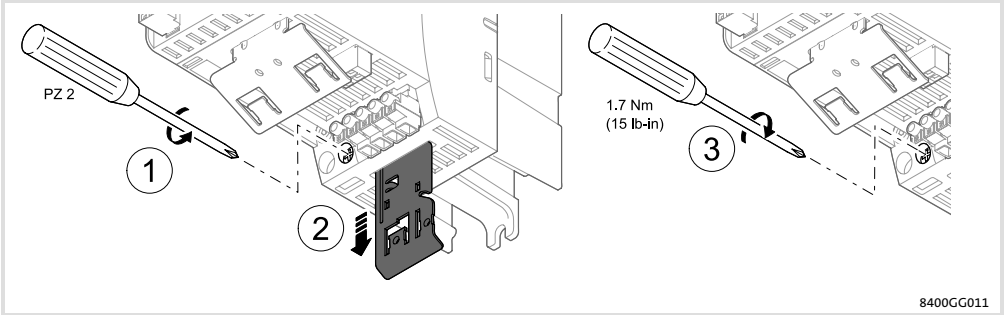
X101



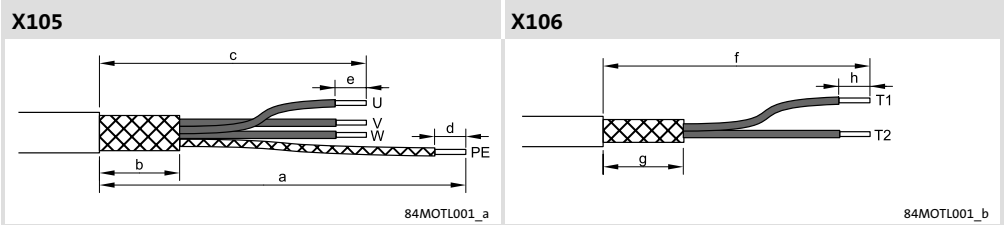
8400GG009

8400GG010

	COM, NC, NO	
	[mm ²] [AWG]	[mm]
E84AVSCE2512		
E84AVSCE371x		
E84AVSCE551x		
E84AVSCE751x	0.2 ... 1.5	10
E84AVSCE112x	24 ... 16	
E84AVSCE152x		
E84AVSCE222x		



8400GG011

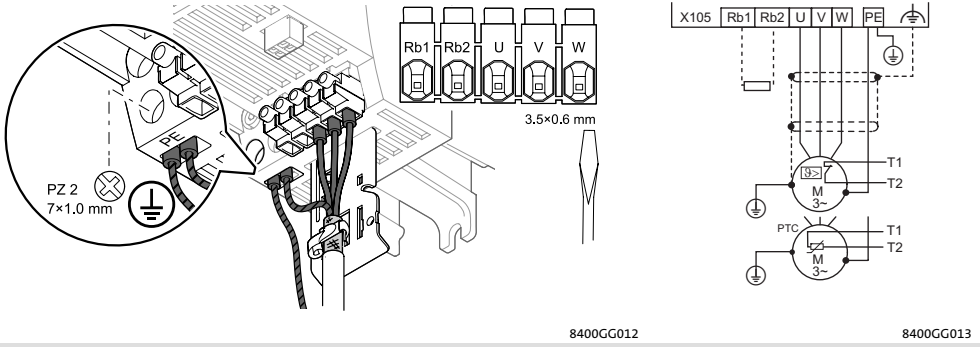


84MOTL001_a

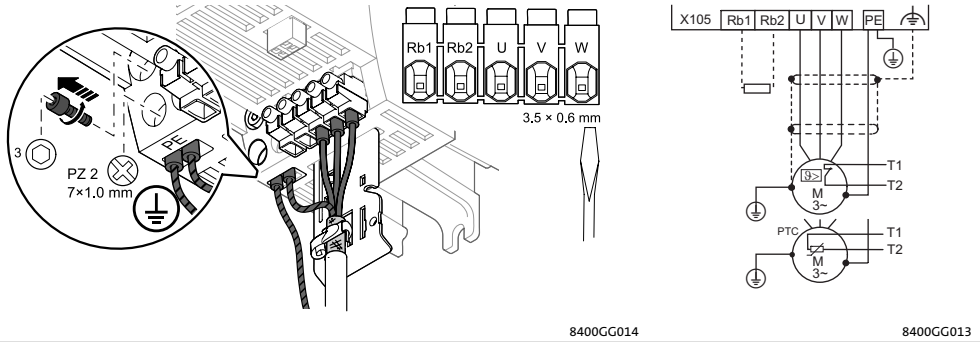
84MOTL001_b

	U, V, W					PE				T1, T2			
	b	c	e			a	d			f	g	h	
	[mm]	[mm]	[mm]	[mm ²] [AWG]	[Nm] [lb-in]	[mm]	[mm]	[mm ²] [AWG]	[Nm] [lb-in]	[mm]	[mm]	[mm]	[mm ²] [AWG]
E84AVSCE2512 E84AVSCE371x	25	65	7	1 ... 2.5 18 ... 12	0.5 4.4	90	9	1 ... 6 18 ... 10	1.7 15	95	25	10	0.2 ... 1.5 24 ... 16
E84AVSCE551x E84AVSCE751x E84AVSCE112x E84AVSCE152x E84AVSCE222x	30	65	7	1 ... 2.5 18 ... 12	0.5 4.4	90	9	1 ... 6 18 ... 10	1.7 15	95	30	10	0.2 ... 1.5 24 ... 16

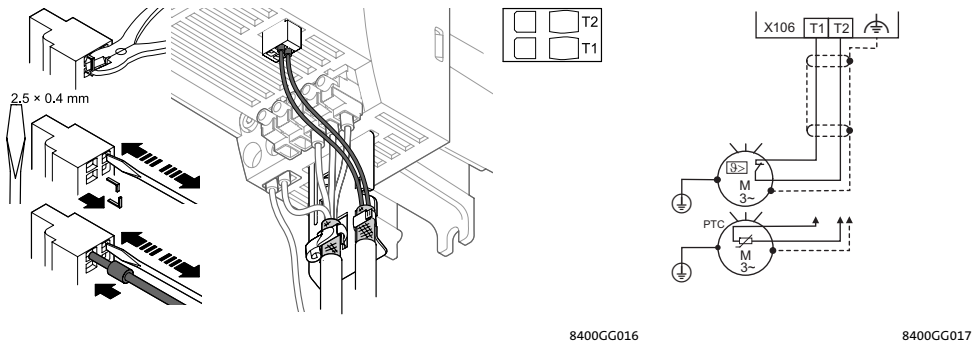
X105 - TN, TT

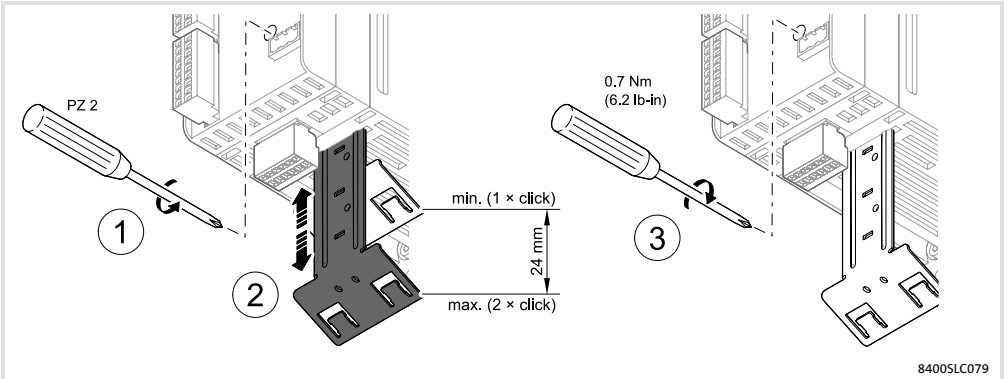


X105 - IT



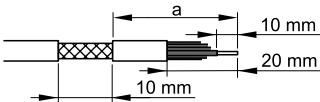
X106





8400SLC079

X80

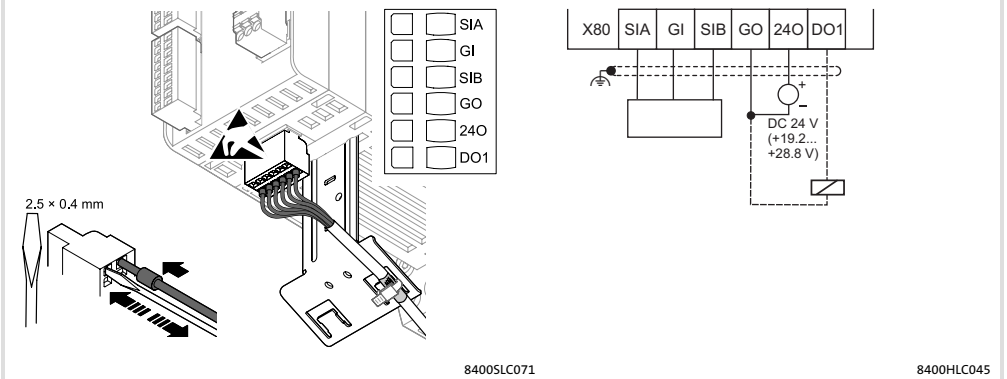


84MOTL001_d

X80

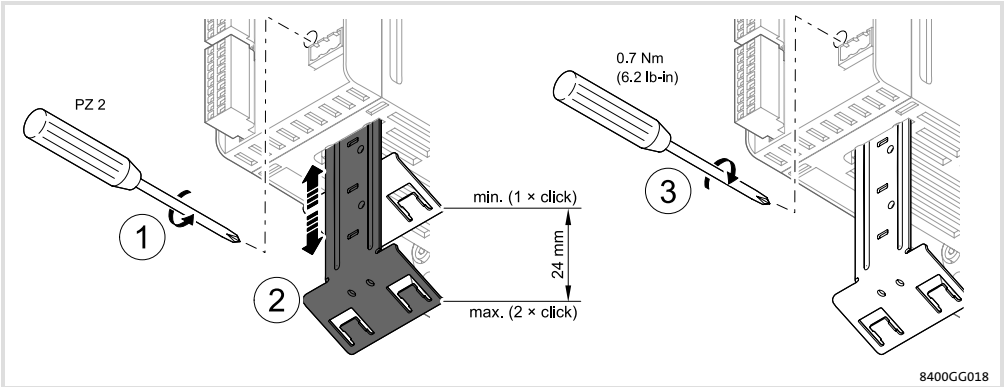
min.	max.	
a	a	
[mm]	[mm]	[mm ²] [AWG]
60	75	0.2 ... 1.5 24 ... 16

X80

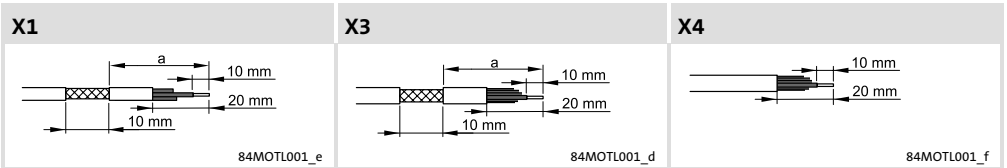


8400SLC071

8400HLC045



8400GG018

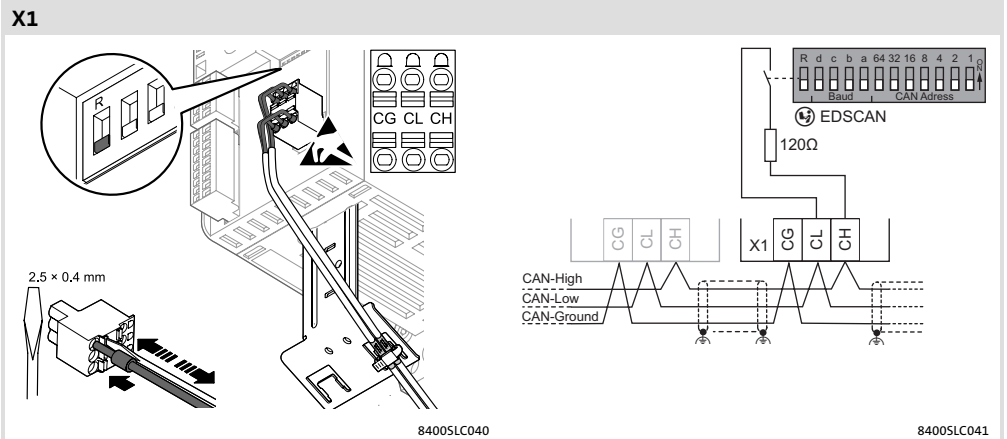


84MOTL001_e

84MOTL001_d

84MOTL001_f

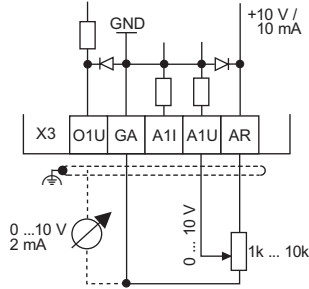
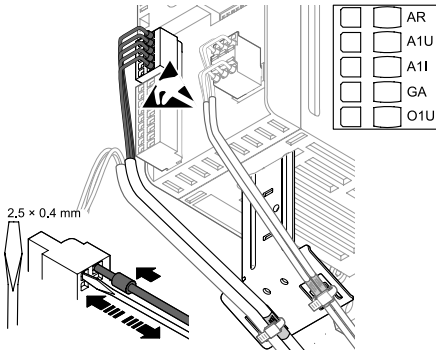
X1			X3			X4
min.	max.		min.	max.		
a	a		a	a		
[mm]	[mm]	[mm ²] [AWG]	[mm]	[mm]	[mm ²] [AWG]	[mm ²] [AWG]
110	135	0.2 ... 1.5 24 ... 16	150	175	0.2 ... 1.5 24 ... 16	0.2 ... 1.5 24 ... 16



84005LC040

84005LC041

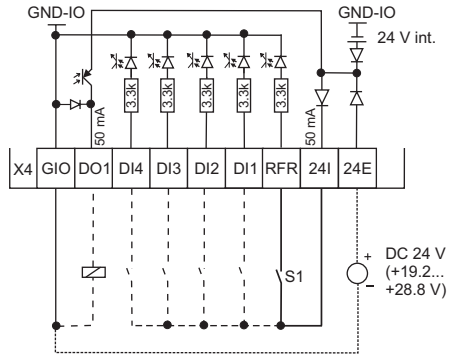
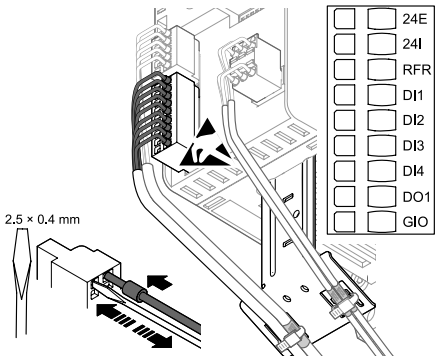
X3



84005LC042

84005LC043

X4



84005LC044

84005LC045



© 12/2009



Lenze Drives GmbH
Postfach 10 13 52
D-31763 Hameln
Germany



+49 (0)51 54 / 82-0



+49 (0)51 54 / 82-28 00



Lenze@Lenze.de



www.Lenze.com

Service Lenze Service GmbH
Breslauer Straße 3
D-32699 Extertal
Germany



00 80 00 / 24 4 68 77 (24 h helpline)



+49 (0)51 54 / 82-11 12



Service@Lenze.de

EDK84V5CE222 ■ 13317338 ■ DE/EN/FR/ES/IT ■ 5.1 ■ TD23

10 9 8 7 6 5 4 3 2 1