

BETRIEBSANLEITUNG

INSTRUCTION MANUAL



KEB COMBIVERT

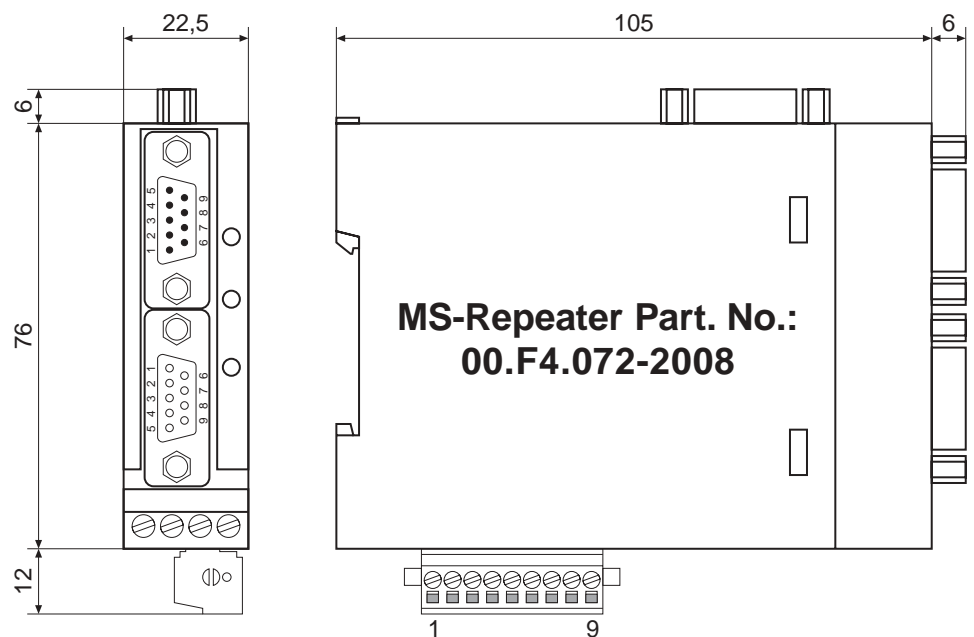
MS-Repeater

1. Application

The MS-Repeater (Part. No.: 00.F4.072-2008) is for connection and amplification of incremental encoder signals during master-slave-operation. Additionally the arriving encoder signals from the master are controlled and when there is an open-circuit an error message ist produced.

For a trouble-free operation with master-slave-applications the MS-Repeater is necessary for the second slave.

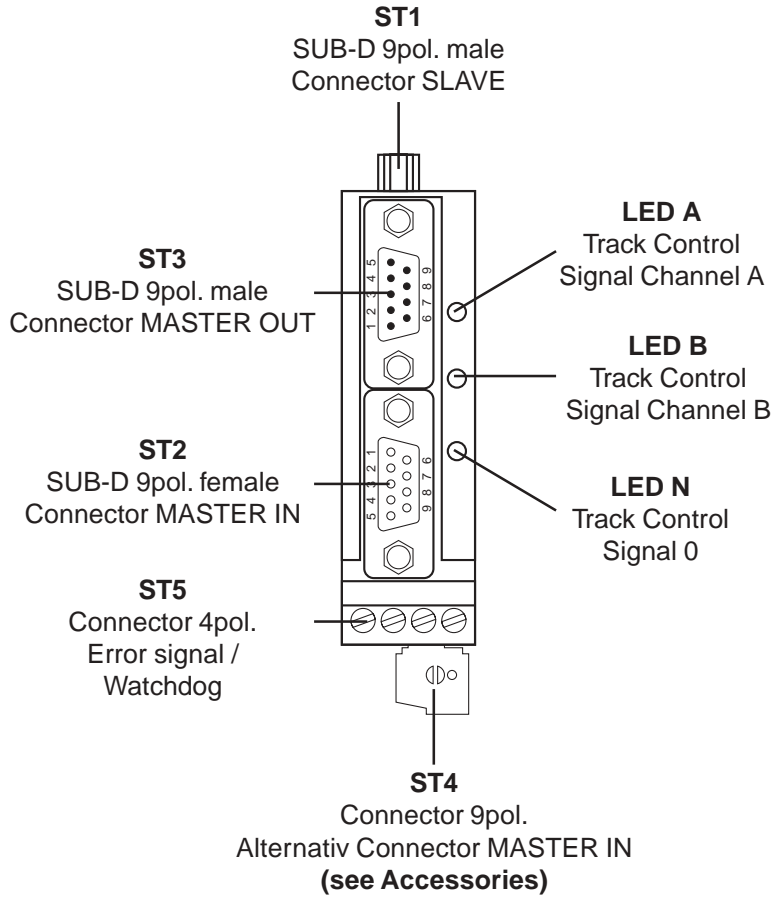
2. Dimensions



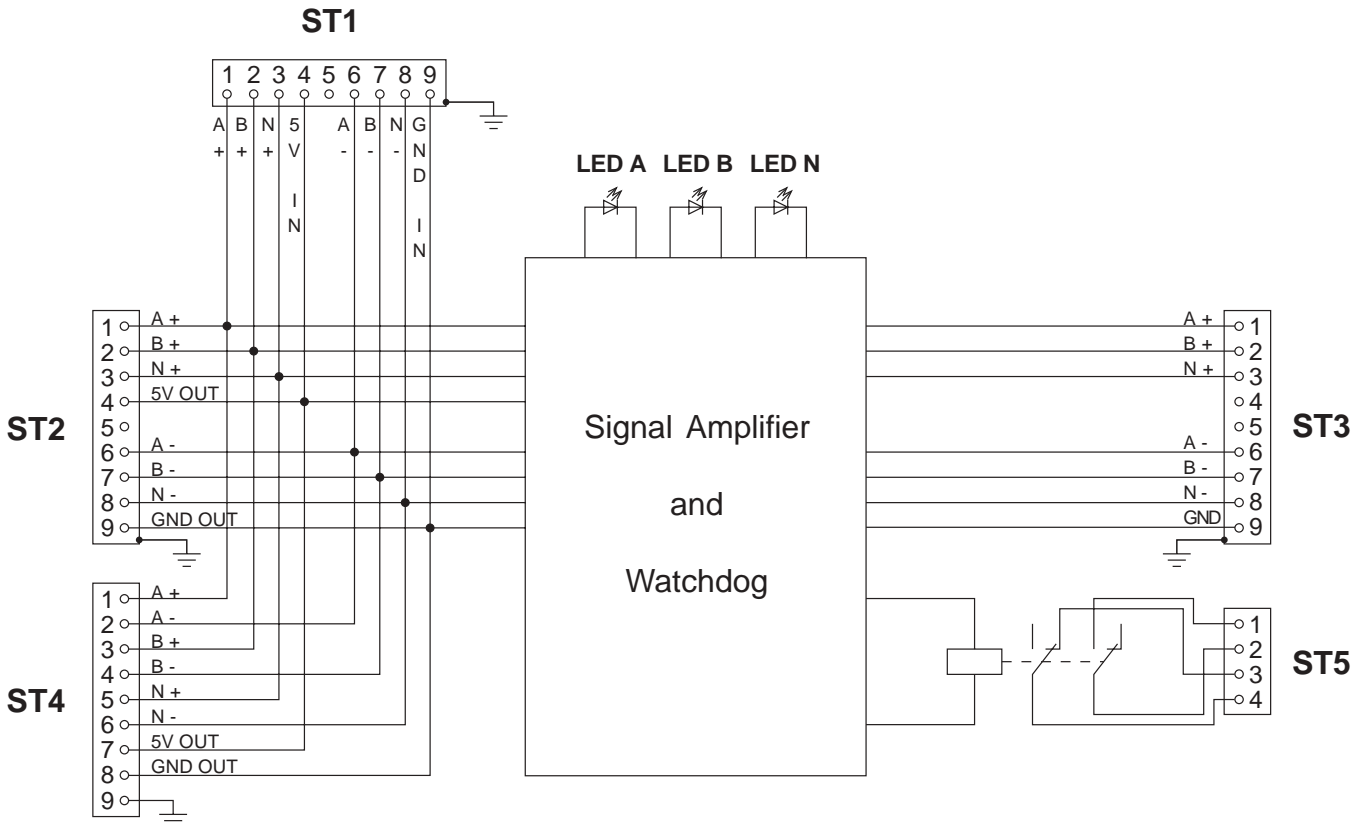
3. Technical Data

- planned for top-hat rail installation (top-hat rail 35 mm)
- 5V voltage supply via ST1 Slave-connection
- Relay contacts (ST5): potential-free contacts NC contact/NO contact
max. switching voltage 30 V DC with
max. switched current 1 A
- Input-signals: RS422 max. 200 kHz
- Output-signals: RS422 not closed
- Line length: Master signal - MS Repeater - Slave 1
max. 100 m
MS Repeater OUT - MS Repeater IN - Slave n
max. 100 m

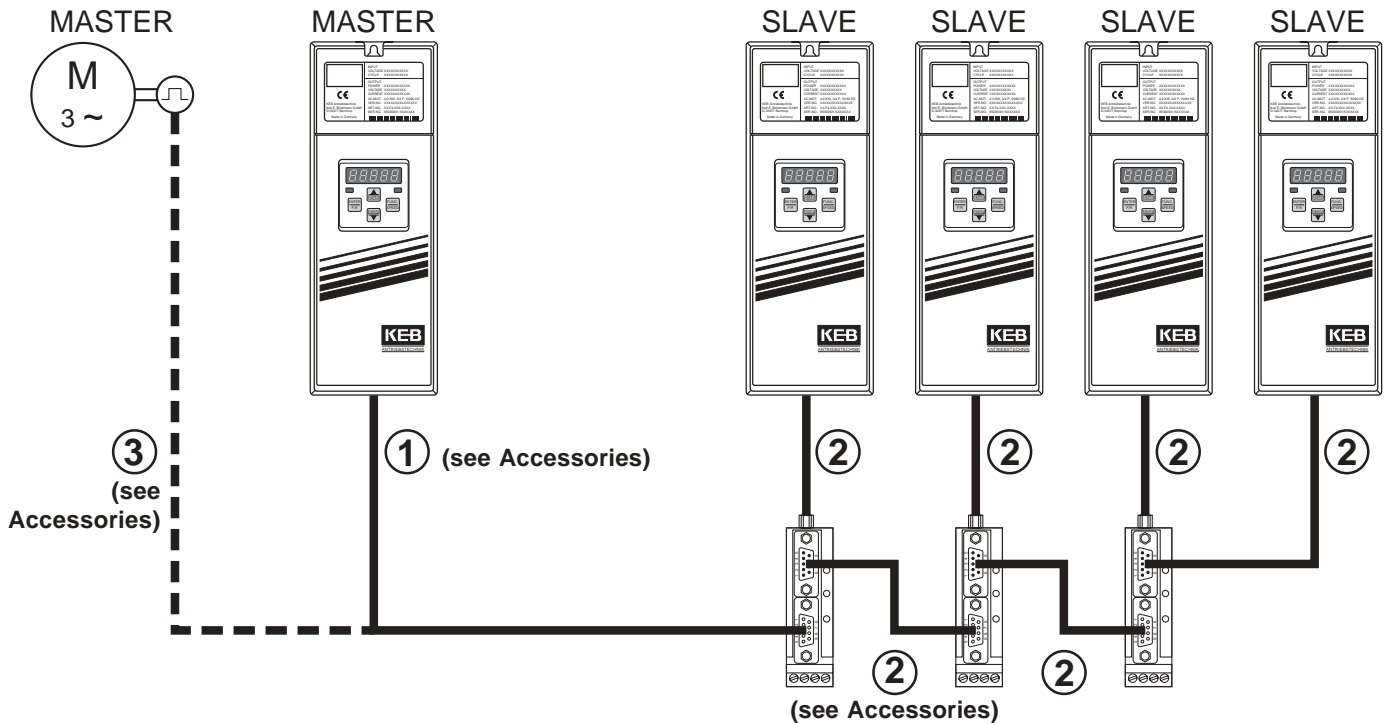
4. Description



5. Connection



6. Example of Connection



7. Accessories - cables in different length

Cable ① : KEB COMBIVERT Encoder-Output - MS Repeater MASTER IN
 Art. Nr.: **00.F4.509-0001** (without supplement)
 Cable length 01 = 1 m

Cable ② : MS Repeater MASTER OUT - MS Repeater MASTER IN
 MS Repeater MASTER OUT - Slave (with supplement 5V)
 Art. Nr.: **00.F4.409-0001**
 Canle length 0P25 = 0,25 m
 0P50 = 0,5 m
 0001 = 1,0 m

Cable ③ : Inkremental encoder - MS Repeater MASTER IN
 Art. Nr.: **00.F4.209-0005**
 Cable length 0005 = 5 m
 0010 = 10 m
 0015 = 15 m
 0020 = 20 m

- ST4 Connector 9pol. for alternation Connection MASTER IN
 Art. Nr.: 00.90.501-0775



Karl E. Brinkmann GmbH

Försterweg 36 - 38 • D - 32683 Barntrup
Telefon 00 49 / 52 63 / 4 01 - 0 • Fax 00 49 / 52 63 / 4 01 - 1 16
Internet: www.keb.de • E-mail: info@keb.de

KEB Antriebstechnik GmbH & Co. KG

Wildbacher Str. 5 • D - 08289 Schneeberg
Telefon 0049 / 37 72 / 67 - 0 • Telefax 0049 / 37 72 / 67 - 2 81
E-mail: info@keb-combidrive.de

KEB Antriebstechnik Austria GmbH

Ritzstraße 8 • A - 4614 Marchtrenk
Tel.: 0043 / 7243 / 53586 - 0 • FAX: 0043 / 7243 / 53586 - 21
Kostelni 32/1226 • CZ - 370 04 České Budejovice
Tel.: 00420 / 38 / 731 92 23 • FAX: 00420 / 38 / 733 06 97
E-mail: info@keb.at

KEB Antriebstechnik

Herenveld 2 • B - 9500 Geraadsbergen
Tel.: 0032 / 5443 / 7860 • FAX: 0032 / 5443 / 7898
E-mail: koen.detaeye@keb.de

KEB China

Xianxia Road 299 • CHN - 200051 Shanghai
Tel.: 0086 / 21 / 62350922 • FAX: 0086 / 21 / 62350015
Internet: www.keb-cn.com • E-mail: info@keb-cn.com

Société Française KEB

Z.I. de la Croix St. Nicolas • 14, rue Gustave Eiffel
F - 94510 LA QUEUE EN BRIE
Tél.: 0033 / 1 / 49620101 • FAX: 0033 / 1 / 45767495
E-mail: sfkeb.4@wanadoo.fr

KEB (UK) Ltd.

6 Chieftain Buisiness Park, Morris Close
Park Farm, Wellingborough, GB - Northants, NN8 6 XF
Tel.: 0044 / 1933 / 402220 • FAX: 0044 / 1933 / 400724
Internet: www.keb-uk.co.uk • E-mail: info@keb-uk.co.uk

KEB Italia S.r.l.

Via Newton, 2 • I - 20019 Settimo Milanese (Milano)
Tel.: 0039 / 02 / 33500782 • FAX: 0039 / 02 / 33500790
Internet: www.keb.it • E-mail: kebitalia@keb.it

KEB - YAMAKYU Ltd.

15 - 16, 2 - Chome, Takanawa Minato-ku
J - Tokyo 108 -0074
Tel.: 0081 / 33 / 445-8515 • FAX: 0081 / 33 / 445-8215
E-mail: kebjt001@d4.dion.ne.jp

KEB Portugal

Lugar de Salgueiros - Pavilhao A, Mouquim
P - 4760 V. N. de Famalicao
Tel.: 00351 / 252 / 371 318 • FAX: 00351 / 252 / 371 320
E-mail: keb.portugal@netc.pt

KEB Taiwan Ltd.

1F, No.19-5, Shi Chou Rd., Tounan Town
R.O.C. - Yin-Lin Hsian / Taiwan
Tel.: 00886 / 5 / 5964242 • FAX: 00886 / 5 / 5964240
E-mail: keb_taiwan@mail.apol.com.tw

KEBCO Inc.

1335 Mendota Heights Road
USA - Mendota Heights, MN 55120
Tel.: 001 / 651 / 4546162 • FAX: 001 / 651 / 4546198
Internet: www.kebco.com • E-mail: info@kebco.com