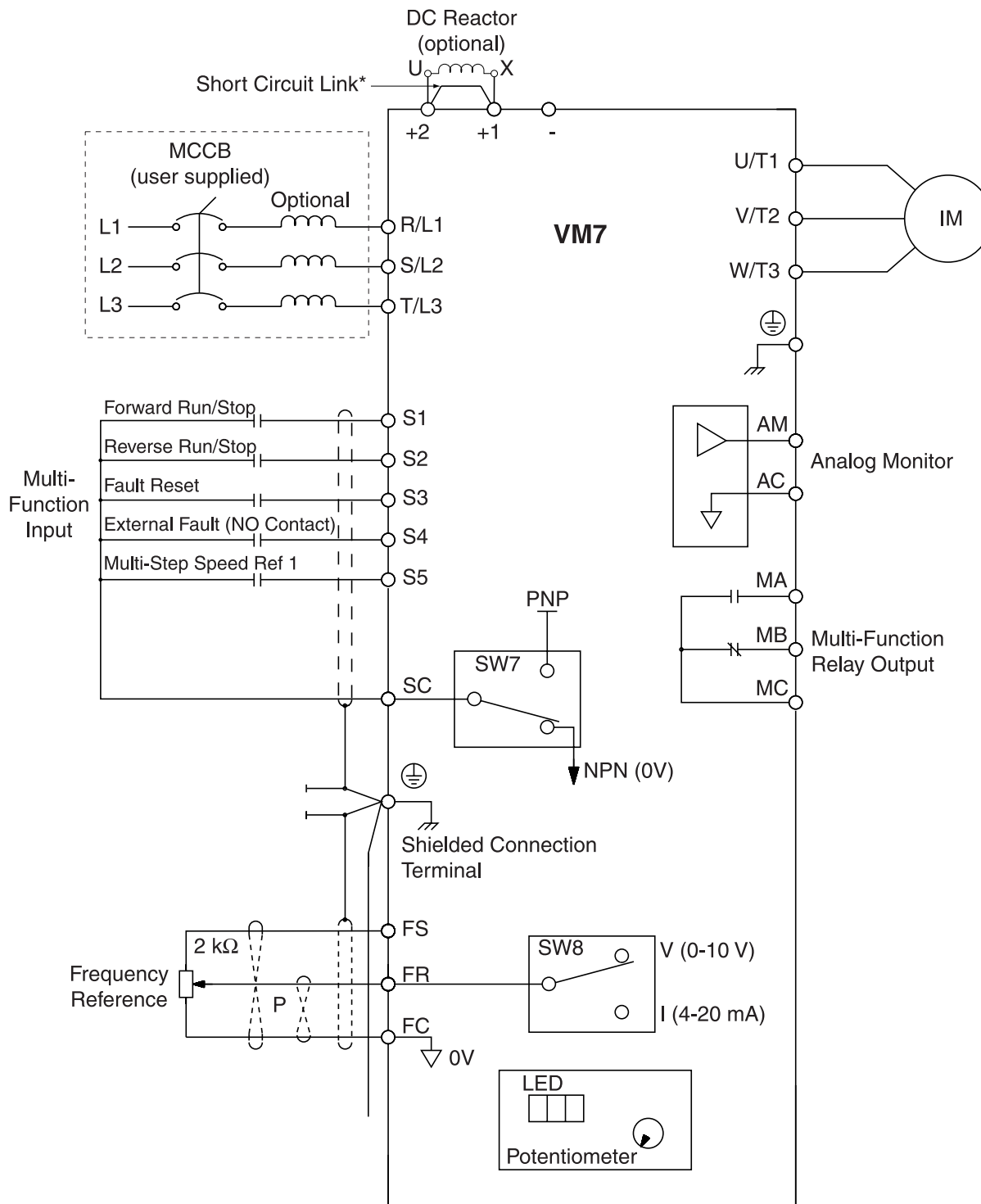


VM7



* Short circuit link should be removed when connecting an optional DC reactor.

VM7