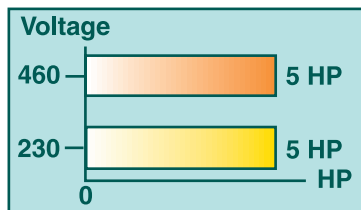


VM7

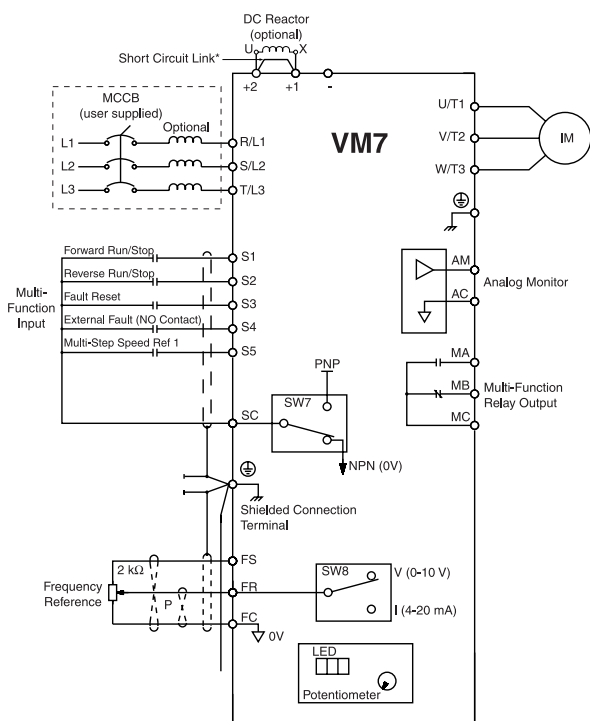
Micro AC Drive

- Speed Pot on Cover
- Optional RS-485 (Modbus)
- Triple Marked (UL, cUL, CE)
- Contactor Style Mounting
- MTBF Greater Than 83 Years
- Saflink Compatible
- 250% Peak Current Trip Level
- 8 Digital Speeds
- Quick Start Keypad
- DC Braking
- 50°C (122°F) Ambient Rating



The New Standard in Micro Inverters

TERMINAL LAYOUT



* Short circuit link should be removed when connecting an optional DC reactor.

Introducing the **VM7**, our newest inverter. The **VM7** was designed to threaten the existence of electromechanical starters and single-phase DC controls! It wires like a starter, mounts like a starter and is sized comparably to a starter. But underneath it all, it is a powerful, reliable variable frequency drive!

The **VM7** was designed to include an integral Quick Start keypad and cover mounted speed pot. This makes programming and set-up simple. You can use discrete wiring for terminal strip control or use an optional RS-485 serial link. The **VM7** includes a cUL approved electronic overload function so you don't need to include electromechanical overloads. The **VM7** includes reversing as a standard function. The **VM7** gives you smooth accel/decel ramps to soften the wear on the mechanical system. Let's not forget, the **VM7** offers variable speed control of your machine and process.

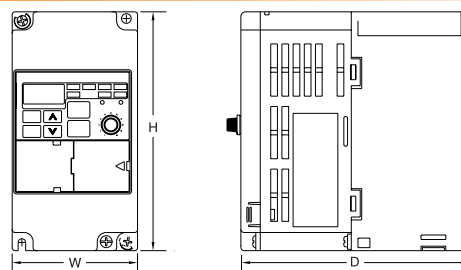
The **VM7** also includes the powerful software features you've come to expect from **Saftronics**. We offer programmable I/O, comprehensive self-diagnostics and our industry-leading Saflink software package. We have slip compensation, speed search, 8 digital preset speeds (plus jog), and fully programmable volts/Hz characteristics. You won't find a better all around value anywhere.

The **VM7** was designed and manufactured to world-class standards to provide a long, useful lifetime. The MTBF has been calculated at 83 years! Why take a risk with some unknown supplier when you can go with a name you can trust? With Saftronics, you can rest assured our 24/7 staff is always there to help. We even offer bi-lingual customer service and technical support for our Spanish speaking customers.

SPECIFICATIONS

ITEM	RATINGS
Control Method	V/Hz
Input Voltage Rating	200/230 Vac; 380/460 Vac; 50/60 Hz; 3-phase; 1-phase available with 30% derate
Input Voltage Tolerance	+10%, -15%
Frequency Control Range	0.1 to 400 Hz
Frequency Accuracy	Digital: ± 0.01% (-10 to +50°C) Analog: ± 0.5% (25 ±10°C)
Speed Commands	0-10 Vdc, 4-20 mA, cover-mounted speed pot
Overload Capacity	150% for 1 minute: 250% instantaneous
Braking	DC Injection
Protective Functions	Motor Overload, Peak Overcurrent, Inverter Overload, Ground Fault, Over Temperature, Fan Loss, Stall (Trip) Prevention
Programmable I/O	5 Digital Inputs, 1 NO/NC Contact Output
Serial Communications	RS-485, Modbus with option card
Ambient Temperature	-10 to +50°C (-50 to 122°F) (non-freezing)

DIMENSIONS



VOLT	HP	AMPS	PART NUMBER VM7-	DIMENSIONS (in inches)			WEIGHT (lbs)
				H	W	D	
230 Vac	0.13	0.8	20P1	5.04	2.68	2.76	1.32
	0.25	1.6	20P2				
	0.5 / 0.75	3	20P4				
	1	5	20P7				
	2	8	21P5				
	3	11	22P2				
460 Vac	5	17.5	23P7	5.04	4.25	6.06	3.31
	0.5	1.2	40P2				
	0.75 / 1	1.8	40P4				
	1.5 / 2	3.4	40P7				
	3	4.8	41P5				
	3	5.5	42P2				
	5	9.2	43P7	5.04	5.51	6.34	4.63