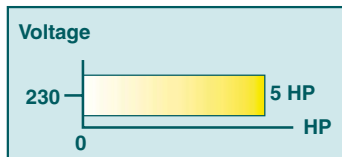


# VM10

## Micro AC Drive

- Speed Pot on Cover
- Optional RS-485 (Modbus)
- Triple Marked (UL, cUL, CE)
- Soft-Switching IGBT Technology
- Contactor Style Mounting
- 250% Peak Current Trip Level
- Programmable I/O
- PID Function Standard
- DC Injection Braking
- 50°C (122°F) Ambient Rating
- DIN - Rail Mounting Option
- Saflink compatible



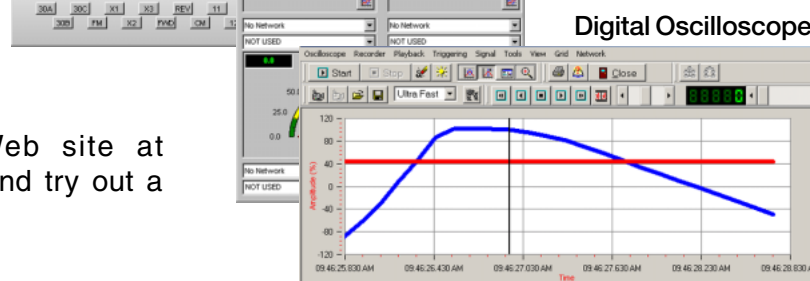
**SAFLINK** is an innovative tool designed for easier programming and trouble-shooting of Saftronics drives.



Visual Programming



Virtual Monitor Panel



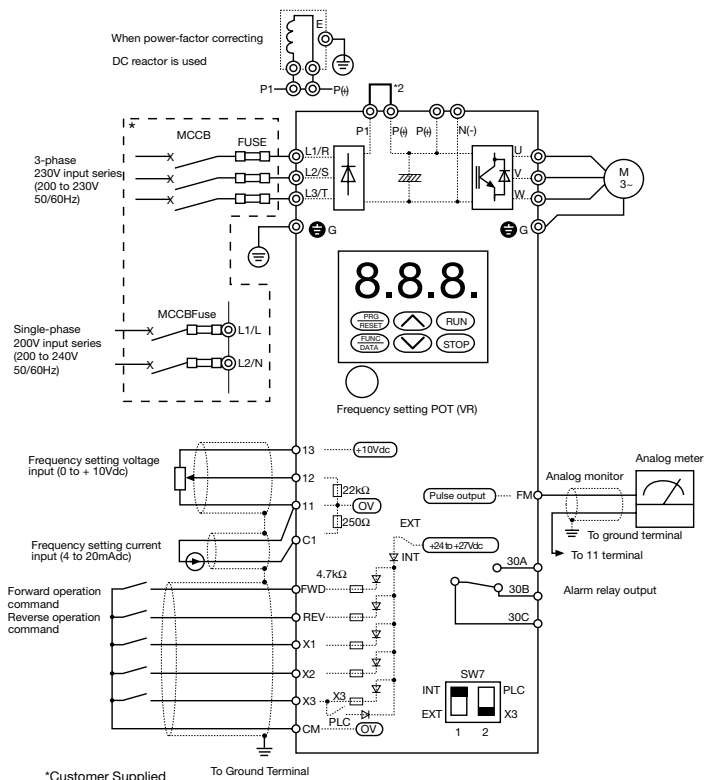
Digital Oscilloscope

Please visit our Web site at [www.saftronics.com](http://www.saftronics.com) and try out a demo version.



# The New Standard in Micro Inverters

## TERMINAL LAYOUT



Introducing the **VM10**, our newest inverter. The **VM10** was designed to incorporate the latest hardware and software technologies for further enhancement of our popular VM7 series inverter. The most significant enhancement is the implementation of the latest IGBT and microprocessor technology to incorporate a Soft-Switching type output. Soft-Switching technology allows for longer motor runs without the need for an output filter, reduces motor heating, reduces motor stress and overall EMI/RFI noise associated with non soft-switching inverters, making the VM10 the perfect micro inverter for any application.

The **VM10** was designed to include an integral keypad and cover mounted speed pot. This makes programming and set-up simple. You can use discrete wiring for terminal strip control or use an optional RS-485 serial link. The **VM10** includes a cUL approved electronic overload function so you don't need to include electromechanical overloads. The **VM10** includes reversing as a standard function. The **VM10** gives you smooth accel/decel ramps to soften the wear on the mechanical system.

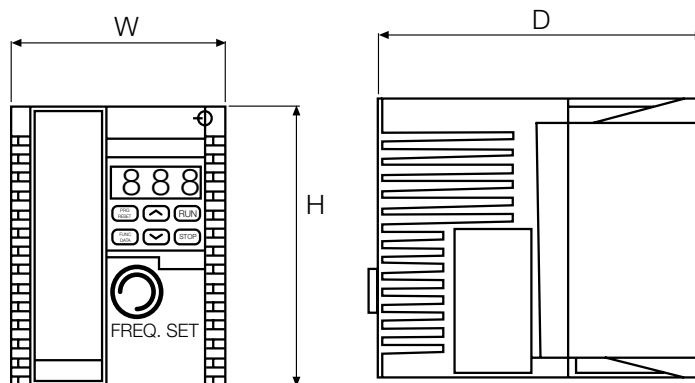
The **VM10** also includes the powerful software features you've come to expect from **Safronics**. We offer programmable I/O, comprehensive self-diagnostics and our industry-leading Saflink software package. We have PID function, momentary power ride thru, 4 event fault history log, DC injection braking, and fully programmable volts/Hz characteristics. You won't find a better all around value anywhere.

The **VM10** was designed and manufactured to world-class standards to provide a long, useful lifetime. Why take a risk with some unknown supplier when you can go with a name you can trust? With Safronics, you can rest assured our 24/7 staff is always there to help. We even offer bi-lingual customer service and technical support for our Spanish speaking customers.

## SPECIFICATIONS

ITEM	RATINGS
Control Method	V/Hz
Input Voltage Rating	200/230 Vac; 50/60 Hz; 3-phase; 1-phase available with 50% derate
Input Voltage Tolerance	+10%, -15%
Frequency Control Range	0.1 to 120 Hz
Frequency Accuracy	Digital: ± 0.01% (-10 to +50°C) Analog: ± 0.5% (25 ±10°C)
Speed Commands	0-10 Vdc, 4-20 mA, cover-mounted speed pot
Overload Capacity	150% for 1 minute; 250% instantaneous
Braking	DC Injection
Protective Functions	Motor Overload, Peak Overcurrent, Inverter Overload, Ground Fault, Over Temperature, Fan Loss, Stall (Trip) Prevention
Programmable I/O	5 Digital Inputs, 1 NO/NC Contact Output
Serial Communications	RS-485, Modbus with option card
Ambient Temperature	-10° C to +50° C (-50° F to 122° F) (non-freezing)
Enclosure	IP20 Protected Chassis

## DIMENSIONS



VOLT	HP	AMPS	PART NUMBER VM10-	DIMENSIONS (in inches)			WEIGHT (lbs)
				H	W	D	
230 Vac	0.5	2.5	2F50-9	4.72	3.15	3.82	1.5
	1	4.0	2001-9	4.72	3.15	4.80	1.8
	2	7.0	2002-9	5.12	4.33	5.55	3.3
	3	10.0	2003-9	5.12	4.33	5.55	3.3
	5	16.5	2005-9	7.09	5.51	5.47	4.9