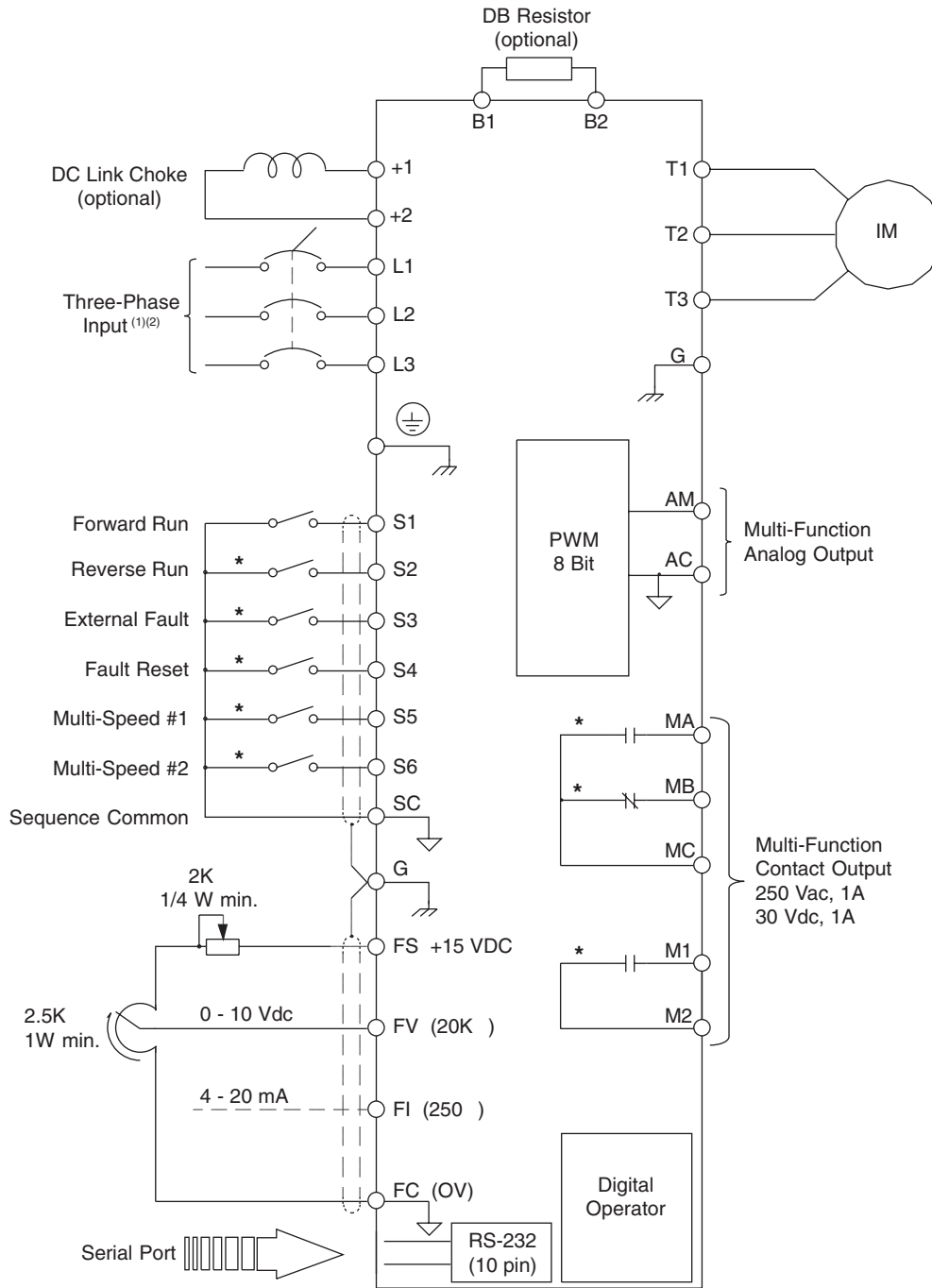


GP5

GP5



*** Programmable Input/Output Functions**

- (1) 12 Pulse input and input link reactor are standard on models 2018-2075 and 4022-4160 (30 HP - 200 HP) and optional on 23P7-2015 and 43P7-4015 (0.75 HP - 25 HP).
- (2) 12 Pulse input is not available on models with built-in dynamic braking transistors.
- (3) Internal dynamic braking electronics on some models only.