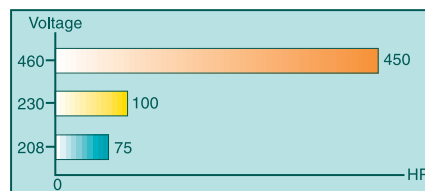


GP5

General Purpose AC Drive

- “Heavy Duty” Rated (150% OL / 1 Minute)
- V/Hz with Auto Torque Boost
- English Keypad
- Saflink Compatible
- DC Link Choke or 12-Pulse Ready*
- Triple Marked (UL, cUL, CE)
- 2 Second Control Power Ride-Thru
- Serial Communication (RS232 Modbus, others optional)
- Built-In DB Transistors*
- 0-10 Vdc or 4-20 mA Reference Inputs
- Programmable I/O
- Overtorque Detection
- Elapsed Time Meter
- PID Control
- Optional 2 Channel 10 Bit Analog Output (3 channels total)



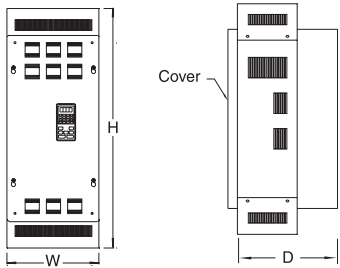
*Rating Dependent



GP5: The Choice for General Purpose Applications

RATINGS / DIMENSIONS

VOLT	HP	AMPS	MODEL GP5-	PART NUMBER	STYLE	DIMENSIONS (in inches)			WEIGHT (lbs)	VOLT	HP	AMPS	MODEL GP5-	PART NUMBER	STYLE	DIMENSIONS (in inches)			WEIGHT (lbs)												
						W	H	D								W	H	D													
230 V	0.75	3.2	20P4	E7001-01G	NEMA 1	5.5	11	6.3	6.5	460 V	0.75	1.9	40P4	E7001-22G	NEMA 1	5.6	11	6.3	6.5												
	1 / 1.5	6	20P7	E7001-02G							1 / 2	3.6	40P7	E7001-23G																	
	2	8	21P5	E7001-03G							3	5.1	41P5	E7001-24G																	
	3	11	22P2	E7001-04G		5.5	11	7.1	10		3	6.6	42P2	E7001-51G		5.6	11	7.1	10												
	5	17.5	23P7	E7001-05G		7.9	11.8	8.1	12		5	8.5	43P7	E7001-26G		7.5	11.7	44P0	E7001-25G	7.9	11.8	8.1	13								
	7.5	25	25P5	E7001-06G		9.9	15	8.9	24		10	14.8	45P5	E7001-27G		9.8	15	8.9	24	15	21	47P5	E7001-28G								
	10	33	27P5	E7001-07G		20					28.6	4011	E7001-29G	25						34	4015	E7001-30G									
	15	49	2011	E7001-08G		13	26.6	11.2	71		30	42	4022	E7001-32G		13	24	11.2	68	40	52	4030	E7001-33G	13	30.9	11.2	106				
	20	64	2015	E7001-09G		NEMA 1 CHASSIS	16.9	38.8	13.8		148	40	64	4037		E7001-34G	13	33.5	11.2	106	50	64	4045	E7001-35G	13	33.5	11.2	106			
	25 / 30	83	2022	E7001-11G		NEMA 1 CHASSIS	16.7	26.6	13.8		134	60	77	4045		E7001-35G	18.1	44.5	13.8	187	75	102	4055	E7001-37G	NEMA 1 CHASSIS	18.1	44.5	13.8	187		
	40	104	2030	E7001-12G		NEMA 1 CHASSIS	16.9	38.8	13.8		150	75	102	4055		E7001-37G	NEMA 1 CHASSIS	17.9	32.3	13.8	174	100	144	4075	E7001-39G	NEMA 1 CHASSIS	18.1	44.5	13.8	190	
	50	128	2037	E7001-14G		NEMA 1 CHASSIS	16.7	26.6	13.8		137	100	144	4075		E7001-39G	NEMA 1 CHASSIS	17.9	32.3	13.8	176	125 / 150	182	4110	E7001-41G	NEMA 1 CHASSIS	22.8	50.8	14.8	320	
	60	154	2045	E7001-16G		NEMA 1 CHASSIS	16.9	38.8	13.8		150	200	242	4160		E7001-43G	NEMA 1 CHASSIS	22.8	50.8	15.8	342	250	304	4185	E7001-46G	CHASSIS	37.4	57.1	17.1	794	
	75	198	2055	E7001-18G		NEMA 1 CHASSIS	18.9	43.7	13.8		192	300	404	4220		E7001-48G	CHASSIS	37.4	57.1	17.1	794	400 / 450	540	4300	E7001-50G	CHASSIS	37.8	63	17.9	926	
	100	250	2075	E7001-20G		NEMA 1 CHASSIS	18.7	31.5	13.8		176	400 / 450	540	4300		E7001-50G	CHASSIS	37.8	63	17.9	926										

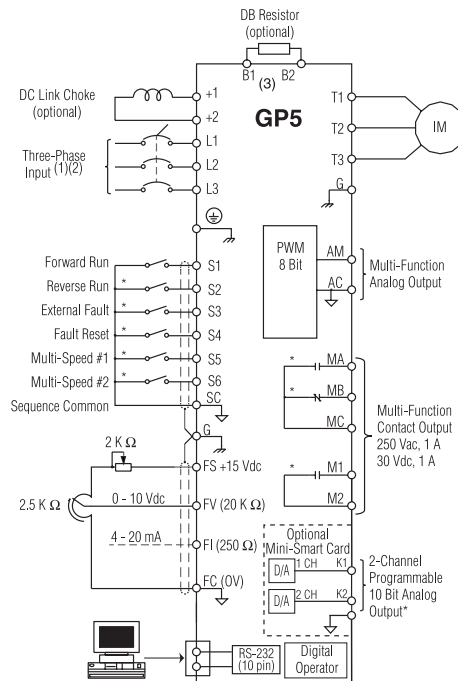


Specifications subject to change without notice.

SPECIFICATIONS

ITEM	RATINGS
Rated Output Frequency	0.1 to 400 Hz
Overload Capacity	150% rated output current for 1 minute
Voltage Fluctuation	+ 10% , - 15%
Frequency Fluctuation	±5%
Control Method	Sine wave PWM with full-range, automatic torque boost
Frequency Control Range	0.1 to 400 Hz
Frequency Accuracy	Digital command: 0.01%, Analog command: 0.1%
Frequency Setting	0 to + 10 Vdc (20 kΩ), 4 - 20 mA (250 Ω)
Accel/Decel Time	0.1 to 3600.0 second (Accel/Decel time setting independently: 0.1 sec.)
Braking Torque	Approximately 20% standard (100% optional)
Number of V/f Patterns	15 preset V/f patterns and 1 custom
Fuse Protection	Motor coasts to a stop at blown fuse
Overload	Motor coasts to a stop after 1 minute at 150% of rated output current
Ground Fault	Provided by electronic circuit
Power Charge Indication	Charge LED stays on until voltage drops below 50 Vdc
Input Phase Loss	Single-phase protection (can be disabled)
Location	Indoor (protected from corrosive gases and dust)
Storage Temperature	-4 to 140°F (-20 to 60°C)
Operating Temperature	+14 to 104°F (-10 to 40°C) for NEMA 1 not frozen, +14 to 113°F (-10 to 45°C) for open chassis

TERMINAL LAYOUT



*Programmable Input/Output Functions. Factory settings shown.
 (1) 12 Pulse input and input link reactor are standard on models 2022-2075 and 4022-4160 (30 HP - 200 HP) and optional link reactor on 20P4-2015 and 40P4-4015 (0.75 - 25 HP)
 (2) 12 Pulse input is not available on models with built-in dynamic braking transistors.
 (3) Internal dynamic braking electronics on some models only.