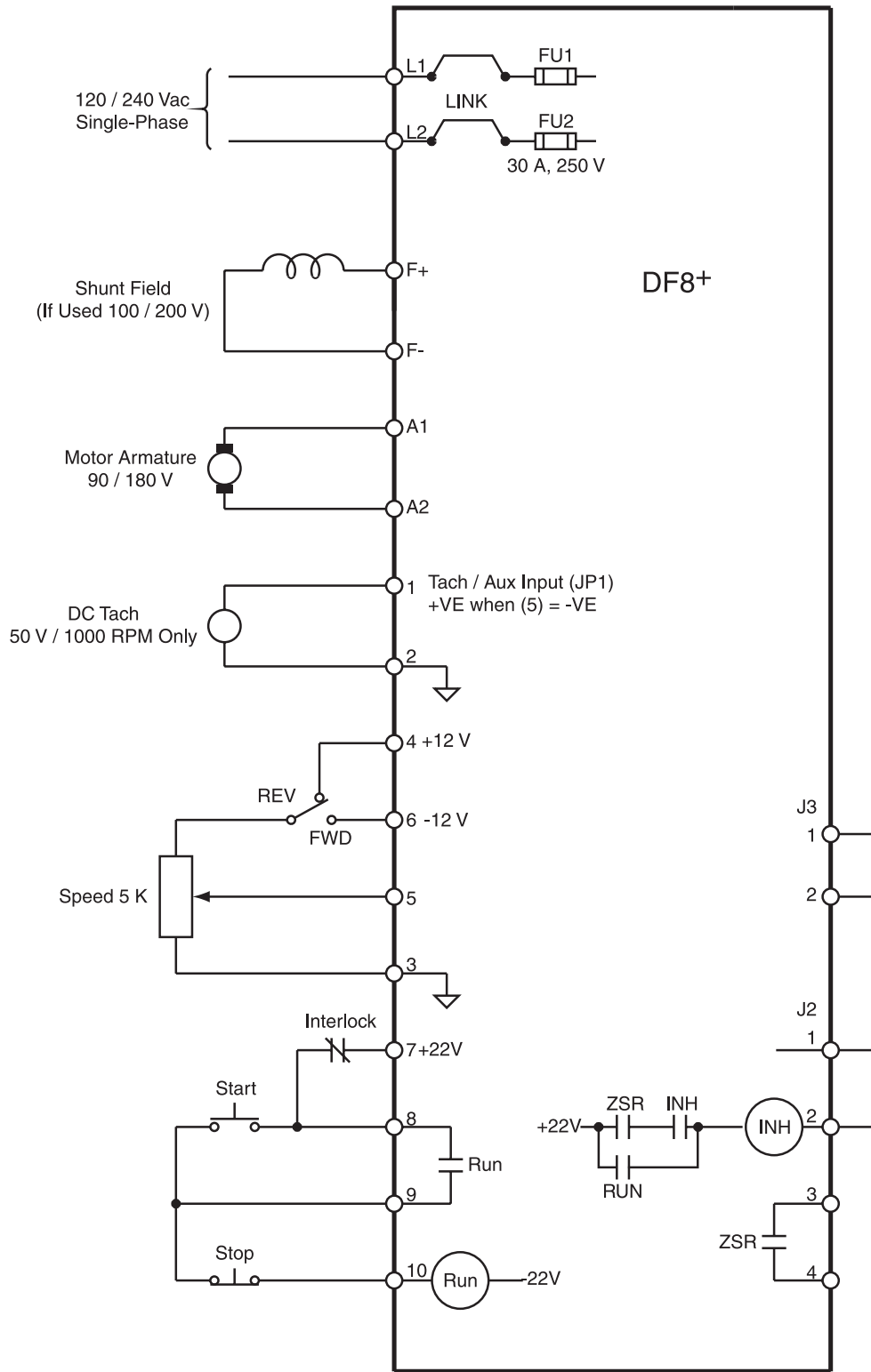


# DG2+ / DF8+ Drive Specifications

## Wiring Diagram



**DG2+ / DF8+**