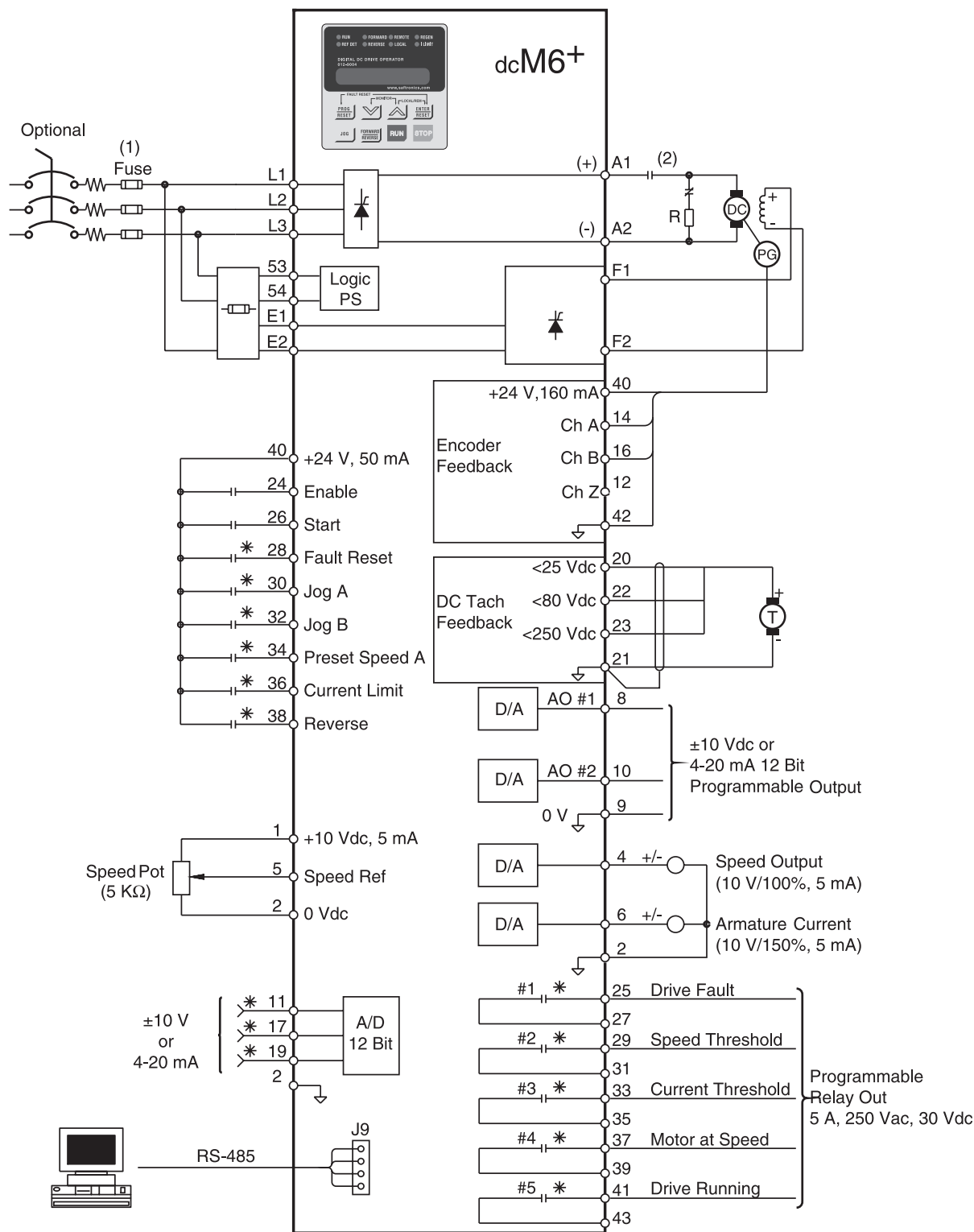


"M" Series Specifications

Wiring Diagram

dcM6+



* Programmable I/O. Factory default shown.

(1) Input Fuses provided on ≥ 350 A.

(2) DB Contactors standard on Rapidpak up to 100 HP (240 Vac), 200 HP (480 Vac).

See options for chassis, panel and NEMA-12 units.