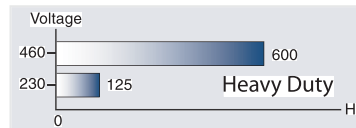
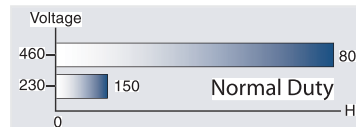


GP10 General Purpose Open Loop Vector AC Drive

DRIVES FOR EVERY INDUSTRY

- Dual Rating
 - Normal Duty Rated (110% OL / 1 Minute)
 - Heavy Duty Rated (150% OL / 1 Minute)
- Two control methods
 - Open Loop (Sensorless) Vector
 - Volts / Hertz
- Motor Auto Tuning for optimum performance
 - Full Dynamic Tuning (spinning motor)
 - Static Tuning (loaded motor, not spinning)
 - On-Line Tuning (continuous tuning while running)
- Keypad: Graphic Back-lit LCD combined with digital LED, Copy Function, 5 lines x 13 characters
- Uniform programming parameters with VG10
- Soft Switching Technology to eliminate output filters
- -10°C to 50°C (+14°F to 122°F)
- PID Control
- Smart Speed Search
- Two Second Control Power Ride Through
- Serial Communication (RS485 Modbus Standard; LonWorks, DeviceNet, Metasys N2, Profibus-DP, Canbus and Interbus-S optional)
- Dynamic Braking built in - 15HP and below Normal Duty, 10HP Heavy Duty
- +/- 0-10 Vdc or 4-20 mA reference inputs
- Programmable I/O
- Overtorque detection
- Dual Motor parameter table
- NEMA 1, 12 or 4, Open Chassis
- Saflink compatible



DIGITAL OPERATOR



MONITOR PANEL



STATUS & FAULT DIAGNOSES



SAFLINK™ is an innovative tool designed for easier programming and troubleshooting of Safronics drives.

Please visit our Web site at www.saftronics.com and try out a demo -version.

SAFRONICS
www.saftronics.com

5580 Enterprise Parkway
Fort Myers, FL 33905
Phone (239) 693-7200
Fax (239) 693-2431
www.saftronics.com

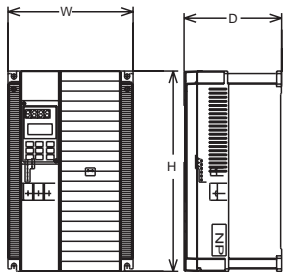
GP10

The Choice for General Purpose Applications

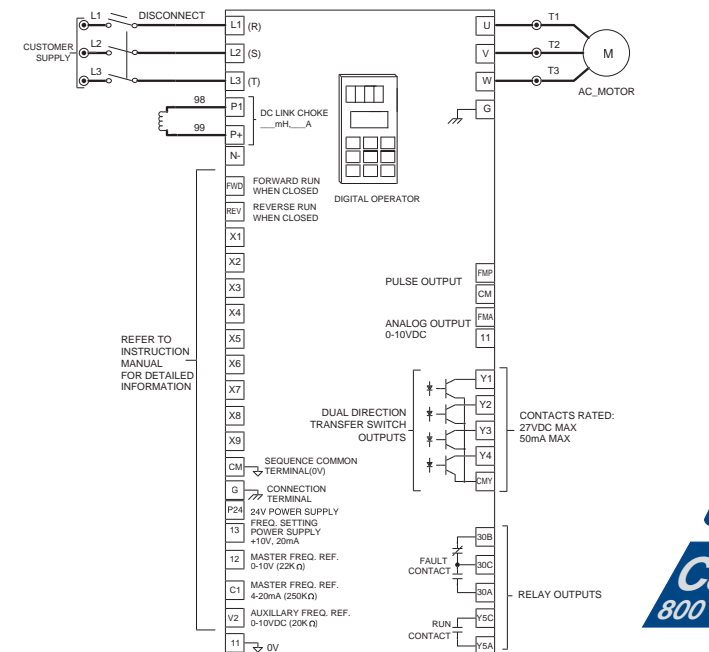
RATINGS & DIMENSIONS

NORMAL DUTY															
VOLT	HP	AMPS	PART NUMBER GP10-	DIMENSIONS (in inches)			WEIGHT (lbs)	VOLT	HP	AMPS	PART NUMBER GP10-	DIMENSIONS (in inches)			WEIGHT (lbs)
				W	H	D						W	H	D	
230 V	0.25	1.5	2F25-1	4.33	10.24	5.12	4.8	460 V	0.5	1.5	4F50-1	4.33	10.24	5.12	4.8
	0.5	3	2F50-1	4.33	10.24	5.12	4.8		1	2.5	4001-1	4.33	10.24	5.71	5.5
	1	5	2001-1	4.33	10.24	5.71	5.5		2	3.7	4002-1	5.91	10.24	5.71	8.4
	2	8	2002-1	5.91	10.24	5.71	8.4		3	5.5	4003-1	5.91	10.24	5.71	8.4
	3	11	2003-1	5.91	10.24	5.71	8.4		5	9	4005-1	5.91	10.24	5.71	8.4
	5	17	2005-1	5.91	10.24	5.71	8.4		7.5	12.5	4007-1	8.66	10.24	7.68	13.4
	7.5	22	2007-1	8.66	10.24	7.68	12.6		10	16.5	4010-1	8.66	10.24	7.68	13.4
	10	29	2010-1	8.66	10.24	7.68	12.6		15	23	4015-1	8.66	10.24	7.68	13.4
	15	42	2015-1	8.66	10.24	7.68	12.6		20	30	4020-1	9.84	15.75	7.68	22.0
	20	55	2020-1	9.84	15.75	7.68	22		25	37	4025-1	9.84	15.75	7.68	22.0
	25	67	2025-1	9.84	15.75	7.68	22		30	44	4030-1	9.84	15.75	7.68	23.1
	30	78	2030-1	9.84	15.75	7.68	23.1		40	60	4040-1	13.5	29.7	10.0	70
	40	115	2040-1	13.5	29.7	10.0	70		50	75	4050-1	13.5	29.7	10.0	70
	50	145	2050-1	13.5	29.7	10.0	70		60	91	4060-1	14.9	29.7	10.6	82
	60	180	2060-1	14.9	33.1	10.6	86		75	112	4075-1	14.9	34.6	10.6	95
75	215	2075-1	14.9	38	10.6	106	100	150	4100-1	14.9	34.6	10.6	97		
100	283	2100-1	14.9	38	10.6	110	125	176	4125-1	14.9	38	10.6	115		
125	346	2125-1	21	41.3	11.2	172	150	210	4150-1	21	38	12.4	174		
150	415	2150-1	26.9	50.4	14.2	282	200	253	4200-1	21	38	12.4	174		
							250	304	4250-1	21	53.1	14.2	245		
							300	377	4300-1	21	53.1	14.2	245		
							350	415	4350-1	26.9	55.1	14.2	337		
							400	485	4400-1	26.9	55.1	14.2	337		
							450	520	4450-1	26.9	55.1	14.2	337		
							500	585	4500-1	26.9	57.1	17.7	562		
							600	740	4600-1	26.9	57.1	17.7	562		
							700	840	4700-1	34.6	57.1	17.7	804		
							800	960	4800-1	34.6	57.1	17.7	804		

HEAVY DUTY															
VOLT	HP	AMPS	PART NUMBER GP10-	DIMENSIONS (in inches)			WEIGHT (lbs)	VOLT	HP	AMPS	PART NUMBER GP10-	DIMENSIONS (in inches)			WEIGHT (lbs)
				W	H	D						W	H	D	
230 V	0.25	1.5	2F25-1	4.33	10.24	5.12	4.8	460 V	0.5	1.5	4F50-1	4.33	10.24	5.12	4.8
	0.5	3	2F50-1	4.33	10.24	5.71	4.8		1	2.5	4001-1	4.33	10.24	5.71	5.5
	1	5	2001-1	5.91	10.24	5.71	5.5		2	3.7	4002-1	5.91	10.24	5.71	8.4
	2	8	2002-1	5.91	10.24	5.71	8.4		3	5.5	4003-1	5.91	10.24	5.71	8.4
	3	11	2003-1	5.91	10.24	5.71	8.4		5	9	4005-1	5.91	10.24	5.71	8.4
	5	17	2005-1	5.91	10.24	5.71	8.4		7.5	13	4010-1	8.66	10.24	7.68	13.4
	7.5	25	2010-1	8.66	10.24	7.68	12.6		10	18	4015-1	8.66	10.24	7.68	13.4
	10	33	2015-1	8.66	10.24	7.68	12.6		15	24	4020-1	9.84	10.24	7.68	22.0
	15	46	2020-1	9.84	15.75	7.68	22		20	30	4025-1	9.84	15.75	7.68	22.0
	20	59	2025-1	9.84	15.75	7.68	22		25	39	4030-1	9.84	15.75	7.68	23.1
	25	74	2030-1	9.84	15.75	10.0	23.1		30	45	4040-1	13.5	29.7	10.0	70
	30	87	2040-1	13.5	29.7	10.0	70		40	60	4050-1	13.5	29.7	10.0	70
	40	115	2050-1	13.5	29.7	10.6	70		50	75	4060-1	14.9	29.7	10.6	82
	50	145	2060-1	14.9	33.1	10.6	86		60	91	4075-1	14.9	34.6	10.6	95
	60	180	2075-1	14.9	38	10.6	106		75	112	4100-1	14.9	34.6	10.6	97
75	215	2100-1	14.9	38	10.6	110	100	150	4125-1	14.9	38	10.6	115		
100	283	2125-1	21	41.3	11.2	172	125	176	4150-1	21	38	12.4	174		
125	346	2150-1	26.9	50.4	14.2	282	150	210	4200-1	21	38	12.4	174		
							200	253	4250-1	21	53.1	14.2	245		
							250	304	4300-1	21	53.1	14.2	245		
							300	377	4350-1	26.9	55.1	14.2	337		
							350	415	4400-1	26.9	55.1	14.2	337		
							400	485	4450-1	26.9	55.1	14.2	337		
							450	520	4500-1	26.9	57.1	17.7	562		
							500	585	4600-1	26.9	57.1	17.7	562		
							600	740	4700-1	34.6	57.1	17.7	804		
							700	840	4800-1	34.6	57.1	17.7	804		



TERMINAL LAYOUT



SPECIFICATIONS

ITEM	RATINGS
Output Rating	3-Phase, 200-230 V, 50/60 Hz, 380-480 V, 50/60 Hz
Voltage Fluctuation	+10%, -15%
Frequency Fluctuation	±5%
Control Method	Sinusoidal PWM Control (V/F, Dynamic Torque Vector)
Frequency Control Range	Variable torque 0.1 to 120 Hz, Constant Torque 0.1- to 120 Hz
Accel/Decel Time	0.1 to 3600.0 seconds - Independent
Braking Torque	1/4 - 30 HP = 20%, 40 HP and higher = 15%
Overload	Normal Duty - 110% 1 Minute Heavy Duty - 150% 1 Minute
Carrier Frequency	0.75 - 15 kHz - 75 HP or less 0.75 - 10 kHz - 100 HP or more
Keypad	Backlit LCD / English Language, LED Monitor Display with Copy Function
Ambient Temperature	-10°C to 50°C (+14°F to 122°F)
Storage Temperature	-25°C to 65°C (-13°F to 149°F)
Starting Torque	200%, 30 Hp (ND) 25 HP (HD) and below, 180% 40 Hp (ND) 30 HP (HD) and above @ 1 Hz
Fuse Protection	Motor coasts to a stop at blown fuse
Ground Fault	Provided by electronic circuit
Power Charge	Charge LED stays on until voltage drops below 25 Vdc
Speed Control Accuracy	±0.2%

**24/7
Emergency
Support**

**Call
800 533-0031**

To maintain maximum uptime and performance, Safronics offers a 24 hour / 7 day per week toll free emergency support. The Safronics technical support team is available for trouble shooting assistance as well as weekend and holiday shipment of repair parts.

P/N: 027-GP10B1
Rev: 06/2005