



www.saftronics.com

**dcM6+ & dcM12+
NEMA 1/12 Remote Keypad
Interface Kit**

Saftronics, Inc.

5580 Enterprise Pkwy., Ft. Myers, FL 33905

Telephone: (941) 693-7200

Fax: (941) 693-2431

www.saftronics.com

KIT NO. 012-9006

DOC. NO. 027-5017

SAFETY FIRST !

LETHAL VOLTAGES MAY BE PRESENT!

PLEASE READ THIS INSTRUCTION MANUAL THOROUGHLY BEFORE ATTEMPTING ANY INSTALLATION, OPERATION, MAINTENANCE OR INSPECTION. FAILURE TO FOLLOW THE RECOMMENDED PROCEDURES OR CAUTIONS IN THIS MANUAL COULD RESULT IN INJURY TO PERSONNEL AND/OR DAMAGE TO EQUIPMENT.

CAUTION !

1. CHECK THE NAME WRITTEN ON THE PRODUCTS AND INSURE THAT THE PROPER PART HAS BEEN RECEIVED.
2. THOROUGHLY INSPECT THE PART(S) FOR ANY DAMAGE DUE TO SHIPMENT OR HANDLING.
3. THE PART(S) MAY CONTAIN CMOS CHIPS AND CAN BE DAMAGED BY STATIC ELECTRICITY. HANDLING SHOULD BE IN ACCORDANCE WITH INDUSTRY STANDARDS.
4. BEFORE INSTALLING THE PART(S) TURN OFF ALL POWER TO THE EQUIPMENT. ***LETHAL VOLTAGES ARE PRESENT !***
5. DO NOT CONNECT OR DISCONNECT WIRING WHILE POWER IS **ON**
6. FOLLOW GOOD STANDARD WIRING PRACTICES AND ANY APPLICABLE CODES THAT MAY APPLY.

OVERVIEW

Please carefully read this manual in its entirety before attempting the installation. The dcM6/12+ remote keypad interface kit allows remote keypad operation of up to 1000 feet via customer supplied standard telephone cable.

KIT INCLUDES

- (1) P/N 034-5403 Interface Module
- (1) P/N 012-1601 AC adapter (120 VAC to 5.0 VDC @ 600 mA)
- (1) P/N 018-5002-16 Interconnecting cable w/ RJ45 plug
- (1) P/N 003-1175 Outer mounting bracket
- (1) P/N 003-1176 Inner mounting bracket
- (1) P/N 003-1177 Rubber gasket
- (1) P/N 003-1178 Protective cover
- (4) # 8-32 x 1 in. Screw
- (4) # 8-32 Nut
- (8) # 8 Lockwasher

NOTE: THE STANDARD 8 CONDUCTOR TELEPHONE INTERCONNECTING CABLE (UP TO 1000 FEET) BETWEEN THE REMOTE KEYPAD LOCATION AND THE CONTROLLER MUST BE SUPPLIED BY THE CUSTOMER AND REQUIRES A RJ45 PLUG AT EACH END.

INSTALLATION PROCEDURE

REFERRING TO FIGURES 1 & 2A - 2D

- 1 - Power down the Controller and carefully remove the keypad by inserting a small bladed screwdriver as per the instructions on the keypad. Remove the other end of the short interconnecting cable from the keypad and discard.
- 2 - In the remote panel (customer provided) make the panel cut-out in accordance with Fig. 2A and assemble the keypad with the mounting hardware provided.
- 3 - Mount the Interface Module and make connections as per Fig. 1 using the provided interconnecting cable. (NOTE: The interconnecting cable is 16 in. long so the proximity of the parts must be within that range.)
- 4 - Cut off the DC connector on the AC adapter and then connect the DC output to the keypad as shown using a customer provided terminal block. Ensure that the correct polarity of the adapter is applied as shown in Fig. 1 and then plug the adapter into a 120 VAC outlet.
- 5 - Make the interconnection between the Remote Interface Module and the dcM6/12+ Controller with the customer provided cable and power up the Controller.

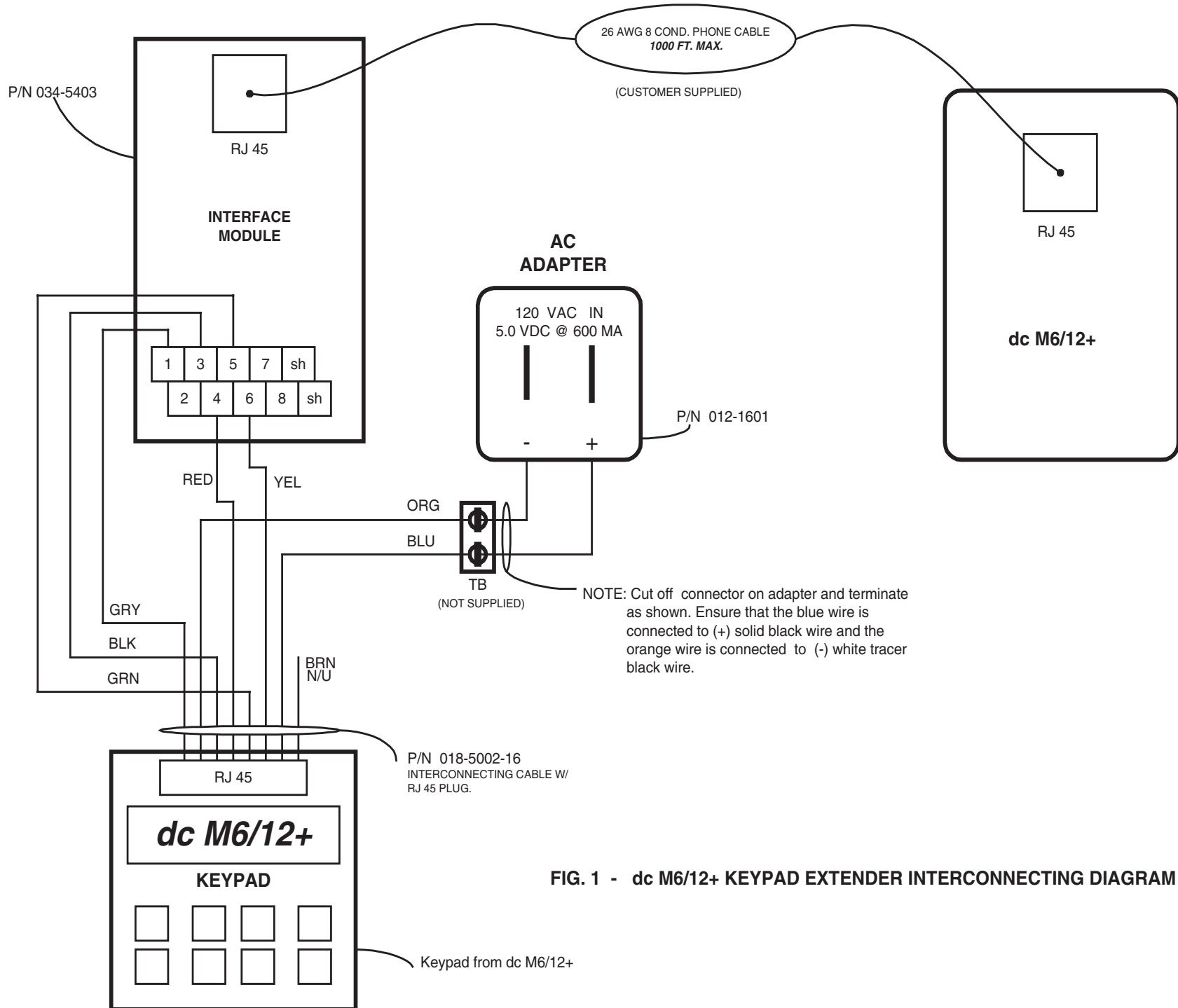


FIG. 1 - dc M6/12+ KEYPAD EXTENDER INTERCONNECTING DIAGRAM

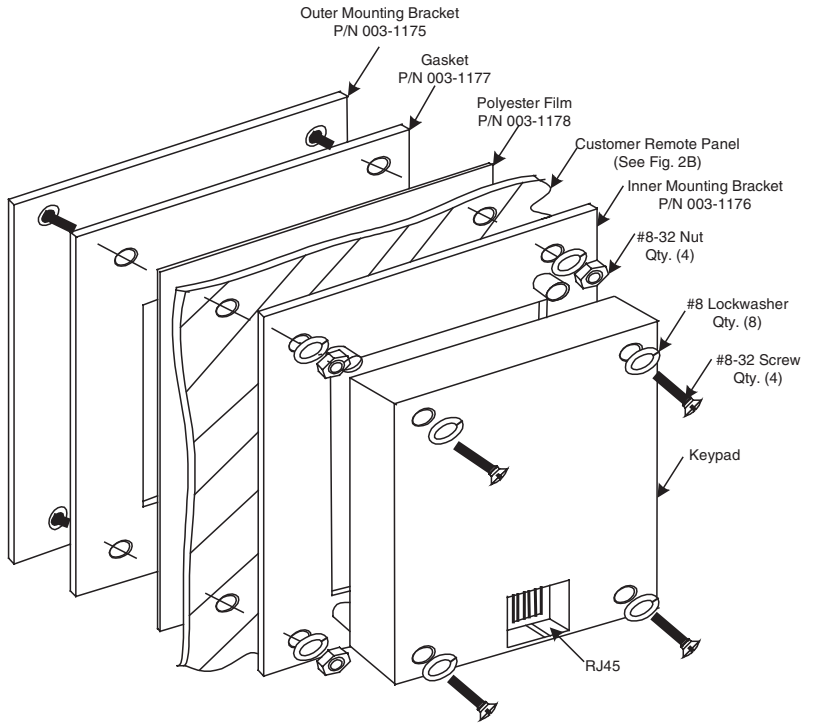


Fig. 2A KEYPAD PANEL MOUNTING

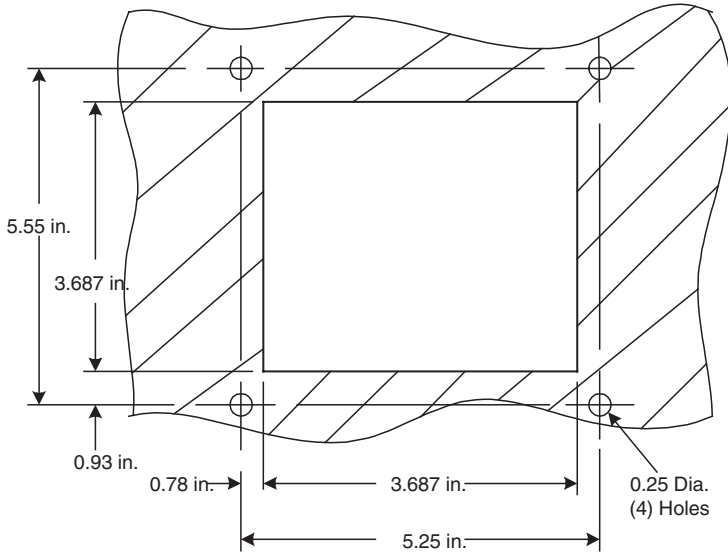


Fig. 2B PANEL CUT OUT

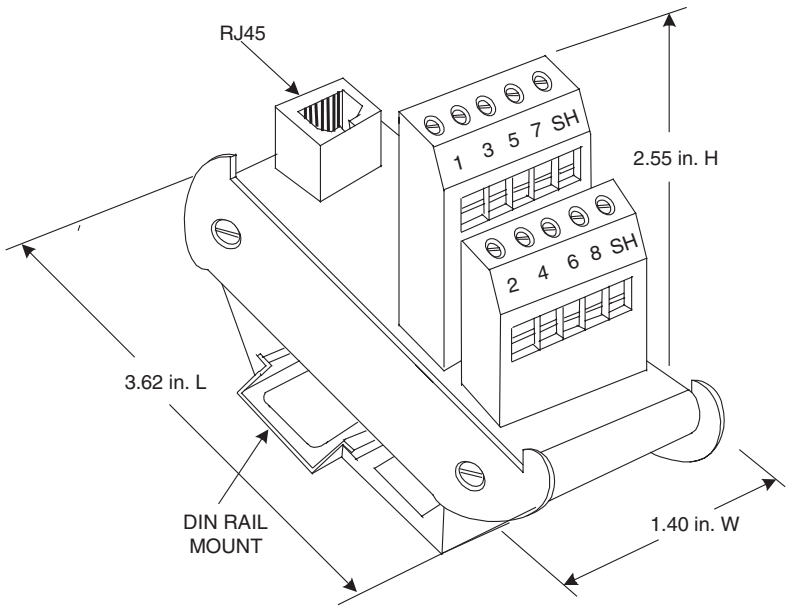


Fig. 2C INTERFACE MODULE (034-5403)

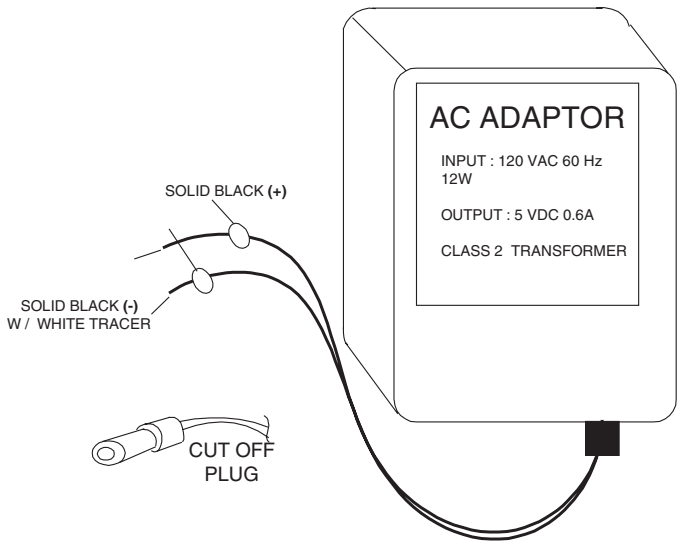


Fig. 2D AC ADAPTOR (012-1601)

FIG. 2A - 2D dcM6/12+ KEYPAD EXTENDER KIT

WARNING!

Saftronics manufactures component parts that can be used in a wide variety of industrial applications. The selection and application of *Saftronics* products remains the responsibility of the equipment designer or end user. *Saftronics* accepts no responsibility for how it's products may be incorporated into the final design.

Under no circumstances should any *Saftronics* product be incorporated into any product or design as the exclusive or sole safety control. Without exception, all controls should be designed to dynamically fault detect and fail safe under all circumstances. All products designed to incorporate a component part manufactured by *Saftronics*, must be supplied to the end user with appropriate warnings and instructions as to the safe use and operation. Any warnings provided by *Saftronics* must be passed through to the end user.

Saftronics offers an express warranty only as to the quality of it's products to conform to the catalog specifications. **NO OTHER WARRANTY, EXPRESS OR IMPLIED, IS OFFERED.** *Saftronics* assumes no liability for any personal injury, property damage, losses or claims, arising out of the misapplication of it's products.