



www.saftronics.com

PC10 120V Input Card Manual

Saftronics, Inc.

5580 Enterprise Pkwy., Ft. Myers, FL 33905

Telephone: (239) 693-7200

Fax: (239) 693-2431

www.saftronics.com

KIT NO. 100-0160-01

DOC. NO. 027-2133

SAFETY FIRST !

LETHAL VOLTAGES MAY BE PRESENT!

PLEASE READ THIS INSTRUCTION MANUAL THOROUGHLY BEFORE ATTEMPTING ANY INSTALLATION, OPERATION, MAINTENANCE OR INSPECTION. FAILURE TO FOLLOW THE RECOMMENDED PROCEDURES OR CAUTIONS IN THIS MANUAL COULD RESULT IN INJURY TO PERSONNEL AND/OR DAMAGE TO EQUIPMENT.

CAUTION !

1. CHECK THE NAME WRITTEN ON THE PRODUCTS AND INSURE THAT THE PROPER PART HAS BEEN RECEIVED.
2. THOROUGHLY INSPECT THE PART(S) FOR ANY DAMAGE DUE TO SHIPMENT OR HANDLING.
3. THE PART(S) MAY CONTAIN CMOS CHIPS AND CAN BE DAMAGED BY STATIC ELECTRICITY. HANDLING SHOULD BE IN ACCORDANCE WITH INDUSTRY STANDARDS.
4. BEFORE INSTALLING THE PART(S) TURN OFF ALL POWER TO THE EQUIPMENT AND INSURE THE CHANGE INDICATOR LAMP ON THE INVERTER IS **OFF. *LETHAL VOLTAGES ARE PRESENT !***
5. DO NOT CONNECT OR DISCONNECT WIRING WHILE POWER IS **ON!**
6. FOLLOW GOOD STANDARD WIRING PRACTICES AND ANY APPLICABLE CODES THAT MAY APPLY.

Description

The **100-0160-01** 120V INPUT CARD, provides for (5) 120V isolated control inputs for the PC10 Inverter. It has "hard pins" to assemble directly to the PC10's control terminals and screw type output terminals.

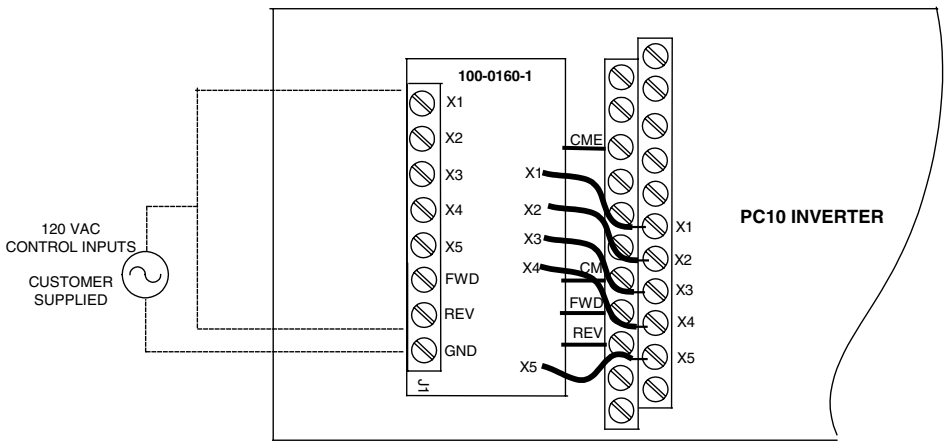
Specifications

Input Isolation - 5Kvac
Input Resistance - 23kohms

Installation

Turn off all power to the equipment being worked on before attempting any installation. Referring to the figure below and in accordance with the PC10 instruction manual, remove the protective cover. Insert the “hard pins” into terminals **CME**, **CM**, **FWD**, and **REV** of the PC10’s control terminals and tighten. Connect the pig-tail leads to terminals **X1** thru **X5** and then connect to the input screw terminals in accordance with the application requirements. Replace the cover. This completes the installation.

After applying power, parameters E01 to E05 corresponding to X1 to X5 can be programmed in accordance with the application requirements. Refer to the PC10 manual Sec. 5-2 for further details.



WARNING!

Saftronics manufactures component parts that can be used in a wide variety of industrial applications. The selection and application of *Saftronics* products remains the responsibility of the equipment designer or end user. *Saftronics* accepts no responsibility for how it's products may be incorporated into the final design.

Under no circumstances should any *Saftronics* product be incorporated into any product or design as the exclusive or sole safety control. Without exception, all controls should be designed to dynamically fault detect and fail safe under all circumstances. All products designed to incorporate a component part manufactured by *Saftronics*, must be supplied to the end user with appropriate warnings and instructions as to the safe use and operation. Any warnings provided by *Saftronics* must be passed through to the end user.

Saftronics offers an express warranty only as to the quality of it's products to conform to the catalog specifications. **NO OTHER WARRANTY, EXPRESS OR IMPLIED, IS OFFERED.** *Saftronics* assumes no liability for any personal injury, property damage, losses or claims, arising out of the mis-application of it's products.