

Autonics

**MEASURE COUNTER
FM/LM SERIES**

M A N U A L



Thank you very much for selecting Autonics products.
For your safety, please read the following before using.

Caution for your safety

- Please keep these instructions and review them before using this unit.
- Please observe the cautions that follow:
 - Warning** Serious injury may result if instructions are not followed.
 - Caution** Product may be damaged, or injury may result if instructions are not followed.
- The following is an explanation of the symbols used in the operation manual.
 - Warning**: Injury or danger may occur under special conditions.

Warning

- In case of using this unit with machineries (Nuclear power control, medical equipment, vehicle, train, airplane, combustion apparatus, entertainment or safety device etc), it requires installing fail-safe device, or contact us for information required. It may result in serious damage, fire or human injury.
- This unit must be mounted on Panel. It may give an electric shock.
- Do not connect terminals when it is power on. It may give an electric shock.
- Do not disassemble and modify this unit, when it requires. If needs, please contact us. It may give an electric shock and cause a fire.

Caution

- This unit shall not be used outdoors. It might shorten the life cycle of the product or give an electric shock.
- When wire connection, No.20AWG(0.50mm²) should be used and screw bolt on terminal block with 0.74N·m to 0.90N·m strength. It may result in malfunction or fire due to contact failure.
- Please observe specification rating. It might shorten the life cycle of the product and cause a fire.
- Do not use the load beyond rated switching capacity of Relay contact. It may cause insulation failure, contact melt, contact failure, relay broken, fire etc.
- In cleaning the unit, do not use water or an organic solvents. It might cause an electric shock or fire that will result in damage to the product.
- Do not use this unit at place where there are flammable or explosive gas, humidity, direct ray of the sun, radiant heat, vibration, impact etc. It may cause explosion.
- Do not inflow dust or wire dregs into inside of this unit. It may cause a fire or mechanical trouble.

What is measure counter?

It can be set an integer(n) of multiplier or an interger(n) of divisor per one pulse input.

Multi mode
The multi mode has the function of displaying a value obtained by multiplying the measured value by the setting value (multiplier) of SW3.

Divide mode
The divide mode has the function of displaying the value added each 1 whenever the measured value is the same as the setting value (divisor) of SW3.

Count input × Setting value (SW3) = Display value
1 × 4 = 4

Count input = Display value / Setting value (SW3)
5 / 5 = 1

Input operation mode

Input mode	SW1	Counting chart	
		Voltage input type	No-voltage input type
Up/Down-A Command input	ON		
Up/Down-B Individual input	ON		
Up/Down-C Phase difference input	ON		
Up Input	ON		
Up/Down-D Command input	ON		
Up/Down-E Individual input	ON		
Up/Down-F Phase difference input	ON		
Down Input	ON		

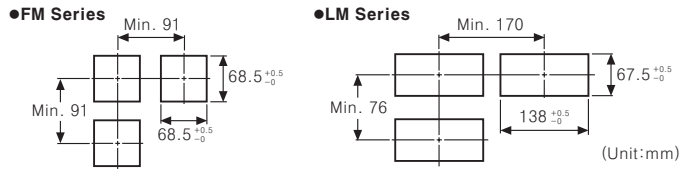
*A: Over Min. signal width, B: Over 1/2 of Min. signal width.
Counting miss by one(±1) is occurred if the signal width of A or B is less than min. signal width.

*The above specification are changeable without notice anytime.

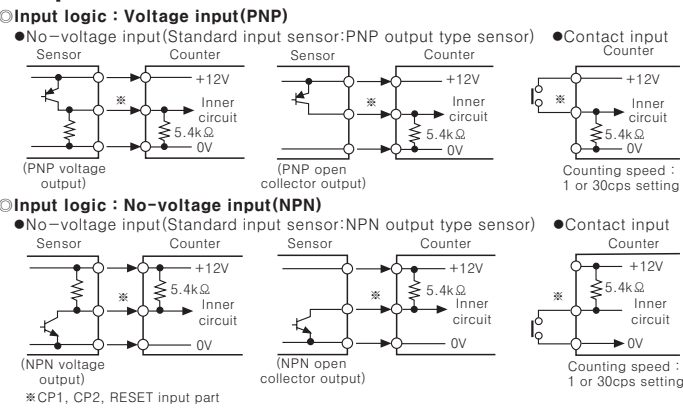
Specifications

Series	FM		LM	
	4	6	4	6
Digit	4	6	4	6
Model	Single preset: F4AM Double preset: F4AM-2P Indication type: F4BM	Single preset: F6AM Double preset: F6AM-2P Indication type: F6BM	Single preset: L4AM-2P Double preset: L6AM-2P Indication type: L4BM	Single preset: L6AM-2P Double preset: L6BM Indication type: L6BM
Power supply	AC power: 100~240VAC 50/60Hz AC/DC power: 12~24VAC 50/60Hz, 12~24VDC			
Allowable voltage range	90 to 110% of rated voltage			
Power consumption	AC power: Indication: Approx. 4.7VA, Single preset: Approx. 5.6VA, Double preset: Approx. 6.4VA(240VAC 50/60Hz) AC/DC power: Indication: Approx. 5.1VA, Single preset: Approx. 6V, Double preset: Approx. 6.5VA(24VAC 50/60Hz) Indication: Approx. 2.7W, Single preset: Approx. 3.3W, Double preset: Approx. 3.8W(24VDC)			
Max. counting speed	Selectable 1cps/30cps/2kcps/5kcps by inner DIP switch			
Min. Reset input width	20ms			
Input	CP1, CP2 input: Input logic is selectable [Voltage input] Input impedance: 5.4kΩ, "H" level: 5~30VDC, "L" level: 0~2VDC [No-voltage input] Short-circuit impedance: Max. 1kΩ, Residual voltage: Max. 2VDC, Open-circuit impedance: Min. 100kΩ RESET input: Input impedance: 5.4kΩ, "H" level: 5~30VDC, "L" level: 0~2VDC			
One-shot output time	Single preset: 0.5sec, Double preset: 0.05~5sec			
Control output	Contact Type: Single preset type: SPDT(1c), Double preset type: SPST(1a), Double preset type: SPST(1a) Capacity: 250VAC 3A resistive load Solid-state Type: Single preset type: NPN open collector, Double preset type: 1st output NPN open collector, 2nd output NPN open collector Capacity: 30VDC Max. 100mA Max.			
Memory retention	10 years (EEPROM)			
External power supply	12VDC ±10% 50mA Max.			
Ambient temperature	-10 ~ 55°C (at non-freezing status)			
Storage temperature	-25 ~ 65°C (at non-freezing status)			
Ambient humidity	35 ~ 85%RH			

Panel cut-out



Input connection



Input logic selection

*Please be sure to turn power OFF before changing input logic.

FM Series

- No-voltage input (NPN) selection
- Voltage input (PNP) selection

LM Series

Input logic is changeable by input logic selection switch located at the terminal block.

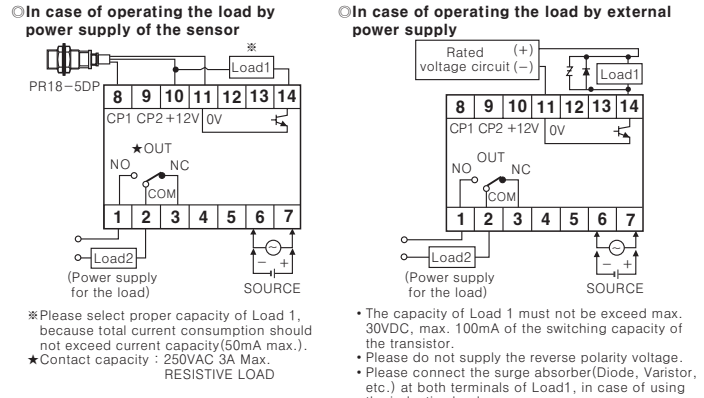
- No-voltage input (NPN) selection
- Voltage input (PNP) selection

Output operation mode

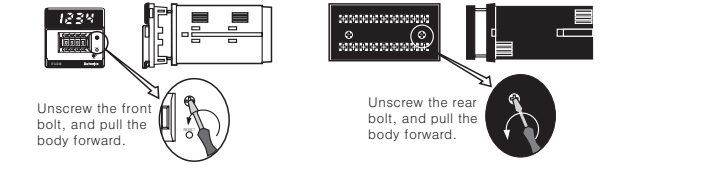
One-shot output (0.05~5sec) of 2nd output | Hold output (0.5sec) of 1st output | Hold output type is operated at the status of the second output mode

Output mode	Input mode		Operation after Count up
	Up, Up/Down-A, B, C mode	Down, Up/Down-D, E, F mode	
F			The display value continues until Reset signal applied and the output will be held. <ul style="list-style-type: none"> 1st held output and 2nd output will be held until Reset signal applied. When use 1st output as one-shot output, it will return after operating for 0.5sec.
N			The display value and output will be held until Reset signal.
C			The display returns to initial status and 2nd output will be reset after one-shot time. <ul style="list-style-type: none"> 1st hold output will be OFF after one-shot output time of 2nd output. 1st one-shot output will be reset after operating 0.5sec, not related to 2nd output.
R			The display value will be held until 2nd output is OFF then reset. <ul style="list-style-type: none"> 1st hold output will be OFF after one-shot time of 2nd output. 1st one-shot output will be reset after operating 0.5sec, not related to 2nd output.
K			The display value continues until Reset signal applied. <ul style="list-style-type: none"> 1st hold output will be OFF after one-shot time of 2nd output. 1st one-shot output will be reset after operating 0.5sec, not related to 2nd output.
P			The display value is held during 2nd output one-shot time, counting process is returned to reset status as soon as 2nd output ON. <ul style="list-style-type: none"> 1st hold output will be OFF after one-shot time of 2nd output. 1st one-shot output will be reset after operating 0.5sec, not related to 2nd output.
Q			The display continues until 2nd output is OFF. <ul style="list-style-type: none"> 1st hold output will be OFF after one-shot time of 2nd output. 1st one-shot output will be reset after operating 0.5sec, not related to 2nd output.
S			<ul style="list-style-type: none"> Up, Up/Down-A, B, C input mode -OUT1 is ON when (Display value) ≥ (1st preset value) -OUT2 is ON when (Display value) ≥ (Double preset value) <ul style="list-style-type: none"> Down, Up/Down-D, E, F input mode -OUT1 is ON when (Display value) ≤ (1st preset value) -OUT2 is ON when (Display value) ≤ (Zero)

Input · output connection



Case detachment



Selection by DIP switches

FM Series

LM Series

Max. counting speed selection

SW2	CP1, CP2
ON OFF	1cps
ON OFF	30cps
ON OFF	2kcps
ON OFF	5kcps

Up/Down mode selection

SW1	Function
ON OFF	Up mode
ON OFF	Down mode

Selection of manual reset

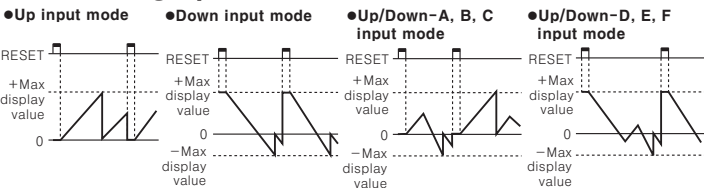
SW2	Function
ON OFF	Using front reset switch
ON OFF	Non-using front reset switch

1st output type selection

SW1	Function
ON OFF	One-shot output
ON OFF	Hold output

*Indication type does not have output mode switches. (No. 4, 5, 6, 7 in SW1)
*Single preset type does not have 1st output switch. (No. 7 in SW1)

Counting operation of indication model



Decimal point setting

Decimal point setting

Decimal point setting display ("dp" Flickering)

Decimal point setting

Decimal point setting

- 6Digit preset type
- 4Digit preset type

*Existing decimal point setting is displayed when entering into decimal point setting mode.
*If pressing one of digital switch (2nd preset type: 2nd preset digital switch) Up(+) buttons in decimal point setting mode, decimal point will be moved to Up(+) direction.
*If pressing one of digital switch (2nd preset type: 2nd preset digital switch) Down(-) buttons, decimal point will be moved to Down(-) direction.

Caution for using

- DIP switch setting
Please be sure to turn power OFF before changing Counter DIP switches setting. If DIP switches setting is changed in power OFF, Counter must be reset by manual reset or external reset after power ON.
 - Error

Error display	Error contents	Return method
Err0	Zero setting value status	Change setting value which is not zero

 - Output is OFF when error is displayed.
 - If 1st preset value is changed to zero("0"), 1st output keeps OFF status.
 - No Error display is appeared in indication type.
 - Power
 - The inner circuit voltage starts to rise up for the first 100ms after power on, the input may not work at this time.
 - And also the inner circuit voltage drops down for the last 500ms after power off, the input may not work at this time.
 - Please use the power within rating power and apply or cut the power at once to prevent from chattering.
 - Input signal line
 - Shorten the cable distance between the sensor and this product.
 - Please shielded wire for input signal needed to be long.
 - Please wire input signal line separated from power line.
 - When test dielectric voltage and insulation resistance of the control panel with this unit installed.
 - Please isolate this unit from the circuit of control panel.
 - Please make all terminals of this unit short-circuited.
 - Do not use this unit at below places.
 - Place where there are severe vibration or impact.
 - Place where strong alkalis or acids are used.
 - Place where there are direct ray of the sun
 - Place where strong magnetic field or electric noise are generated.
 - Installation environment
 - Should be used indoor
 - Altitude Max. 2000m
 - Pollution Degree 2
 - Installation Category II.
- *It may cause malfunction if above instructions are not followed.

Main products

- COUNTER
- TIMER
- TEMPERATURE CONTROLLER
- PANEL METER
- TACHO/LINE SPEED/PULSE METER
- DISPLAY UNIT
- PROXIMITY SENSOR
- PHOTOELECTRIC SENSOR
- FIBER OPTIC SENSOR
- PRESSURE SENSOR
- ROTARY ENCODER
- SENSOR CONTROLLER
- POWER CONTROLLER
- STEPPING MOTOR & DRIVER & CONTROLLER
- LASER MARKING SYSTEM(CO2, Nd:YAG)

Autonics Corporation
<http://www.autonics.com>
Satisfiable Partner For Factory Automation

HEADQUARTERS
 41-5, Yongdang-ni, Ungsang-eup, Yangsan-si, Gyeongnam, 626-847, Korea

INTERNATIONAL SALES
 Bldg. 402 3rd Fl., Bucheon Techno Park, 193, Yakdae-dong, Wonmi-gu, Bucheon-si, Gyeonggi-do, 420-734, Korea
 TEL: 82-32-610-2730 / FAX: 82-32-329-0728

E-mail : sales@autonics.net

EP-KE-01-011E