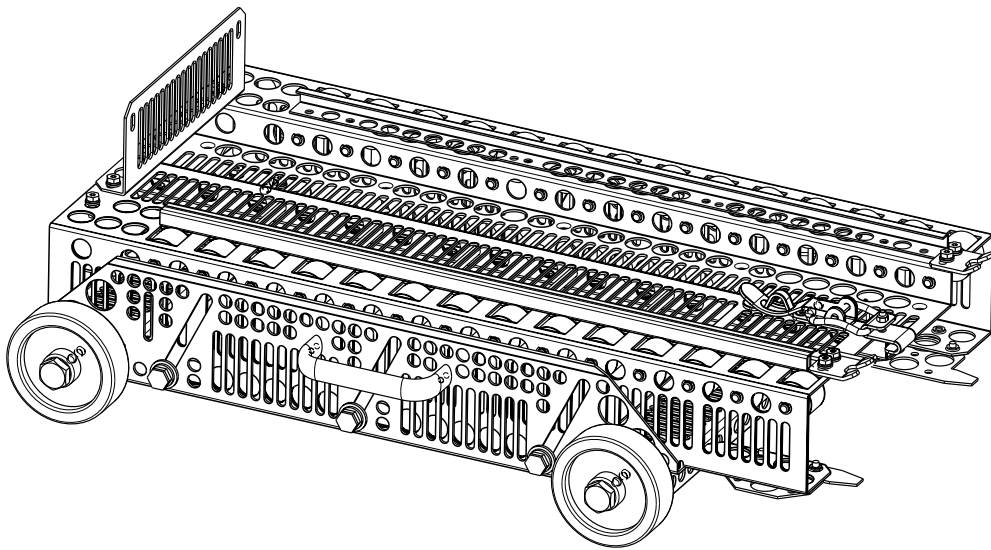


ACS800

efesotomasyon.com

Hardware Manual

Drive Module Trolley for ACS800-04, ACS800-U4,
ACS800-04M with option +H354 and ACS800-07



Drive Module Trolley for
ACS800-04, ACS800-U4,
and ACS800-04M with option +H354

Hardware Manual

efesotomasyon.com

3AFE68481562 B
EN
EFFECTIVE: 12.05.2005

General

What this manual contains

This manual:

- gives information on compatibility and intended use of the drive module trolley
- instructs in safety
- shows an overall view of the trolley
- instructs in adjusting the trolley for a drive module
- instructs in how to remove a drive module of frame size R7 from the cabinet using the trolley.

Compatibility

The drive module trolley is compatible with:

- ACS800-04 module sizes R7 and R8
- ACS800-U4 module sizes R7 and R8
- ACS800-04M module sizes R7 and R8 equipped with option +H354 [pedestal with output on the long side (bookshelf)]
- ACS800-07 equipped with module R7 or R8.

Intended use

The trolley helps in removing heavy drive modules of frame sizes R7 and R8 from a cabinet and replacing them. The trolley can be used for installations where the module stands on a pedestal on the bottom of the cabinet, the short side of the module facing the door of the cabinet. The height of the trolley can be adjusted in the range of 161 ... 237 mm above the floor level. (Consider that when in use, the upper plane must align with the upper edge of the drive module pedestal.)

Safety



Warning! Ignoring the following instructions can cause physical injury or death, or damage to the equipment.

Do not tilt the drive module. The unit will overturn from a tilt of about 6 degrees. Do not use the trolley on an inclined plane.

Do not use the trolley for long transfer.

Read and follow the safety instructions in *ACS800-04/U4/04M Hardware Manual* [3AFE64671006 (English)].

Hardware description and installation

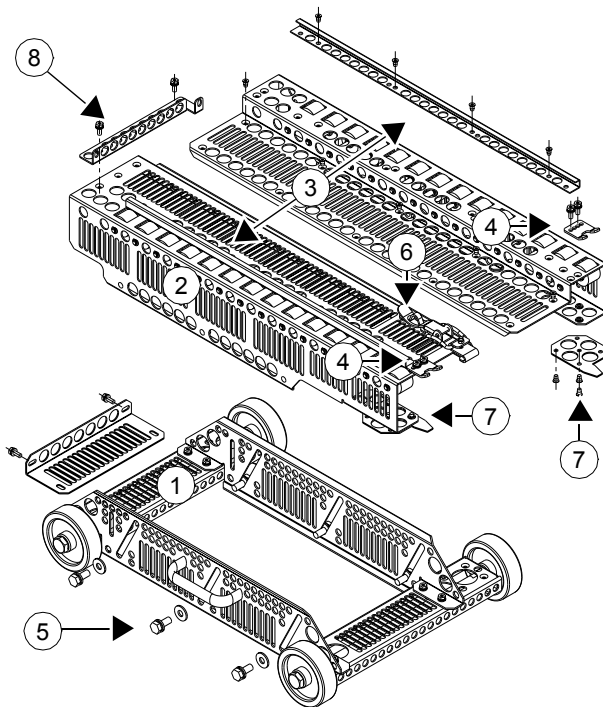
What this chapter contains

This chapter

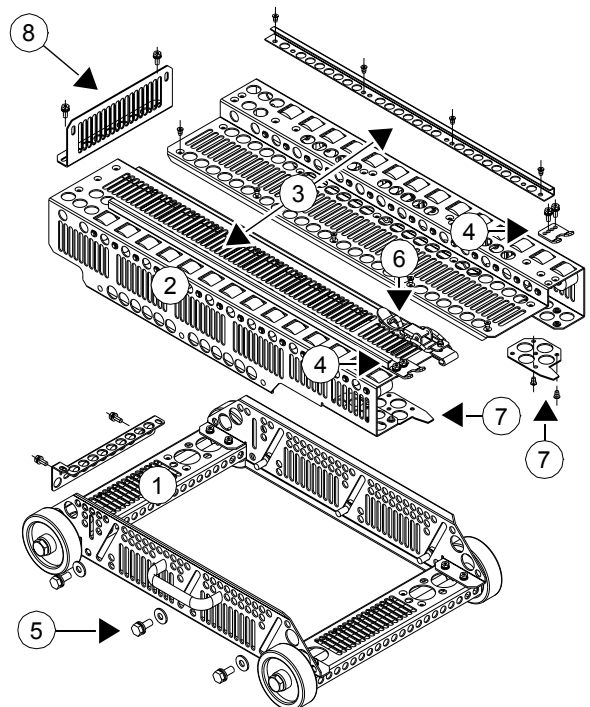
- shows an overall view of the trolley
- instructs in adjusting the trolley for a drive module
- instructs in how to remove a drive module of frame size R7 from the cabinet using the trolley.

Hardware description

Trolley adjusted for drive module R7



Trolley adjusted for drive module R8

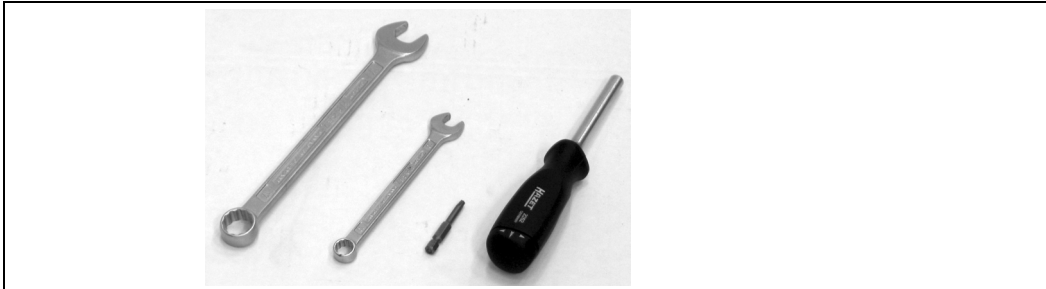


1. Base (including wheels)
2. Skeleton
3. Rails
4. Rail guides

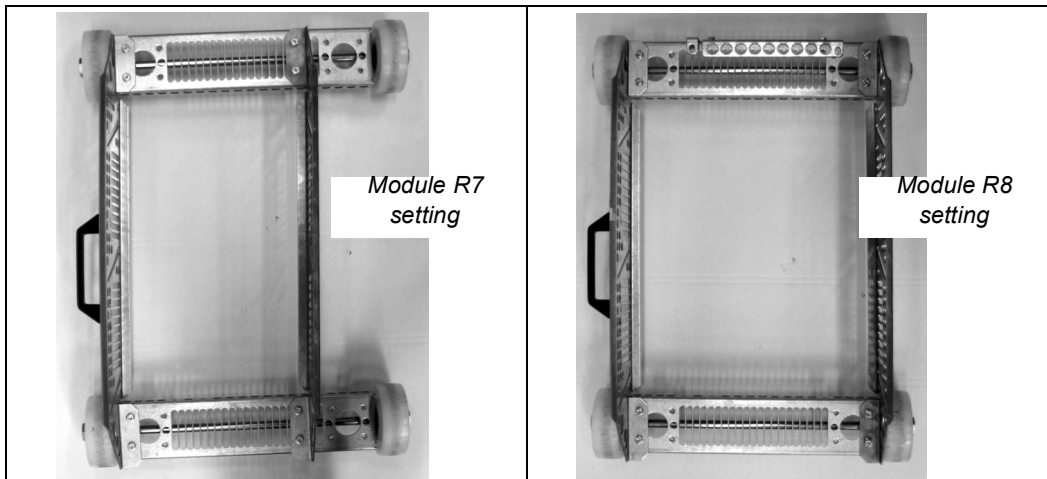
5. Screws for height adjustment and for fastening skeleton to side plates of base. Three on both sides.
6. Catch
7. Guide tabs for the drive module pedestal
8. Drive module support plate

Adjusting the trolley for the drive module size

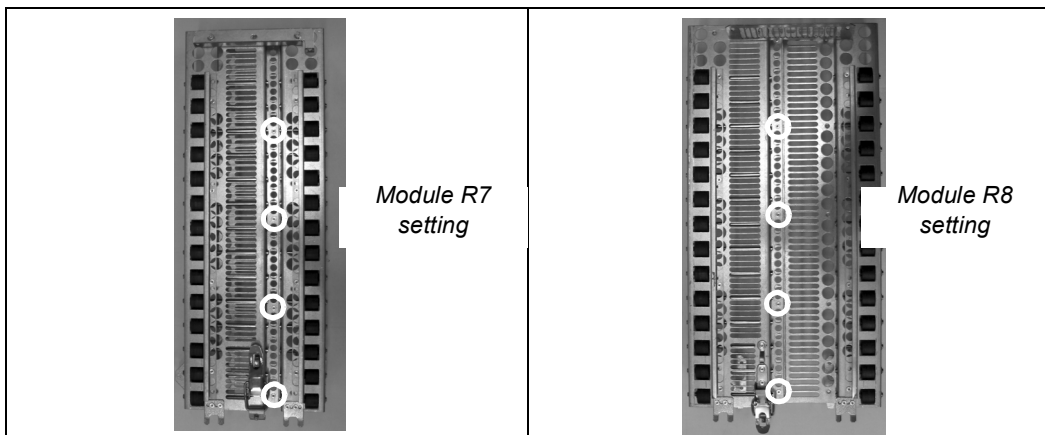
- Tools needed: 17 and 10 mm spanners, head and wrench for torx T20 screws.



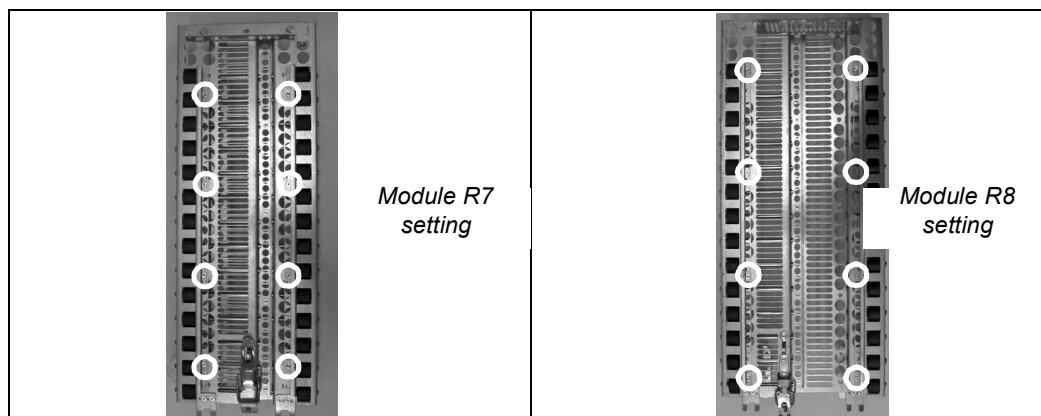
- Remove the height adjustment screws – three on both sides – and lift the skeleton off from the base. (See the drawings on page 7.)
- Position the side plates of the base.



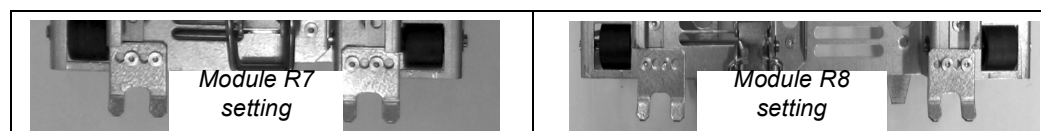
- Adjust the width of the skeleton: remove the four screws, pull/push the skeleton to the right position and replace the screws.



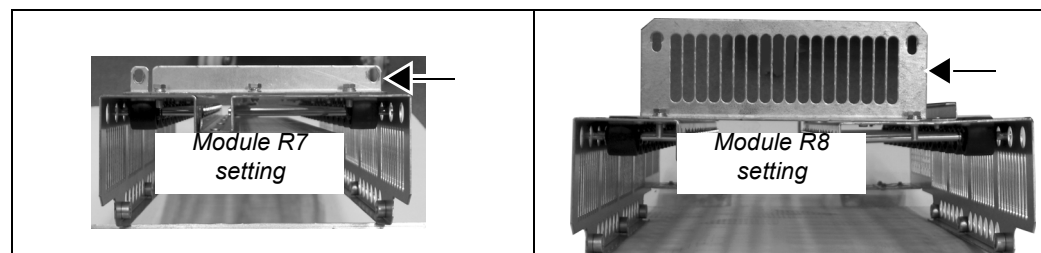
- Adjust the two rails on the top of the skeleton: For each rail, remove four screws, reposition the rail and replace the screws.



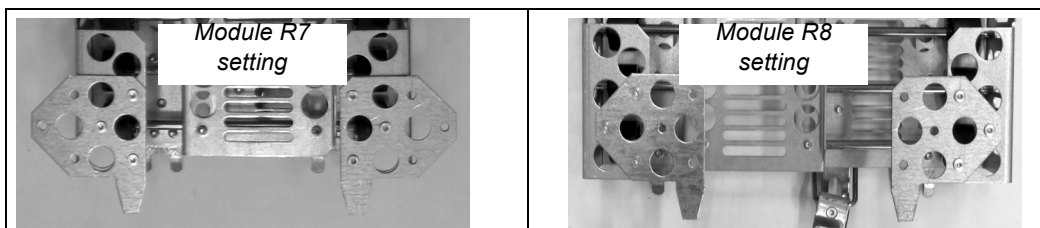
- Adjust the rail guides on the top of the skeleton: For each guide, remove the two screws, position the guide and replace the screws.



- Fasten the drive module support plate onto the top plane of the skeleton. Fasten the plate that is not in use onto the base (below the support in use).



- Adjust the guide tabs for the drive module pedestal. (Turn the skeleton upside down.)



- Remount the skeleton onto the base: Lift the skeleton into place, replace the height adjustment screws (three on both sides). Before tightening the screws, align the upper edge with the upper edge of the drive module pedestal.

Removing a drive module of frame size R7 from the cabinet

WARNING! Ignoring the following instruction can cause physical injury or death, or damage to the equipment.



Switch off the input power and wait for 5 min. to let the intermediate circuit capacitors discharge. Disconnect the drive and lock the disconnecter to the open position. Ensure by measuring that the drive is dead.



Use extreme caution when manoeuvring the drive module. The module is heavy and has a high centre of gravity. It topples over easily if handled carelessly.

Photo A – Drive cabinet

Remove the plastic shroud(s) above the drive module (1).

Disconnect the control panel cable from the panel mounting platform (2) and remove the cable from the cable sleeve on the horizontal air baffle (3).

Remove the horizontal air baffle (3).

Remove the vertical air baffles (4) on both sides of the drive module.

Remove the front cover of the drive module (5).

Photos B and C – Drive module connections (cover removed)

Disconnect the three input busbars of the drive module (6) from the cabinet busbars.

Unplug the control board (RMIO) power supply cable (7) from the drive module.

Disconnect the fibre optic cables (8) coming from the control board (RMIO) and pull the cables carefully out of the drive module.

Wrap the control panel cable and RMIO board power supply and fibre optic cables together loosely and attach them to upper part of the cubicle.

Remove the L-shaped brackets connecting the drive module to the pedestal (9).

Photos D and E – Drive module fixing screws

Remove the three screws connecting the output busbars of the drive module to the busbars of the drive module pedestal (10).

Remove the two screws fastening the drive module to the back mounting plate of the cabinet (11).

Photo F – Trolley mounted to the drive module pedestal

Adjust the trolley according to the drive module frame size. See section [Adjusting the trolley for the drive module size](#) above.

Adjust the height of the trolley using the six screws on the sides (12). Align the upper edge with the upper edge of the drive module pedestal.

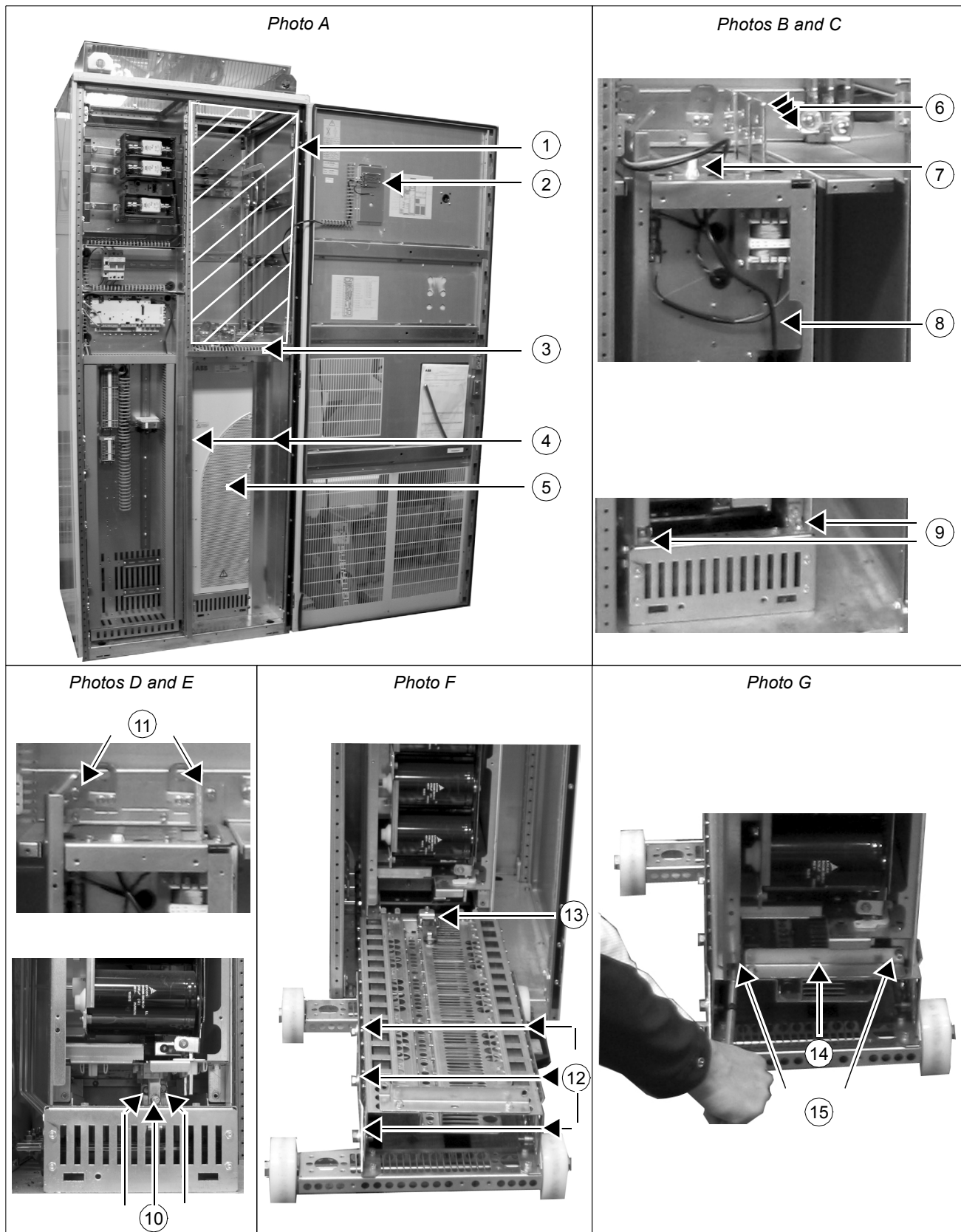
Push the trolley against the drive module pedestal so that the two guide tabs of the trolley match the guide holes in the pedestal. Lock the trolley to the pedestal with the catch (13).

Photo G – Drive module on the trolley

Pull the module outwards of the cabinet until it hits the back support plate (14) of the trolley.

Fasten the module to the back support plate using the two screws (15) which were removed from the L-shaped brackets of the module.

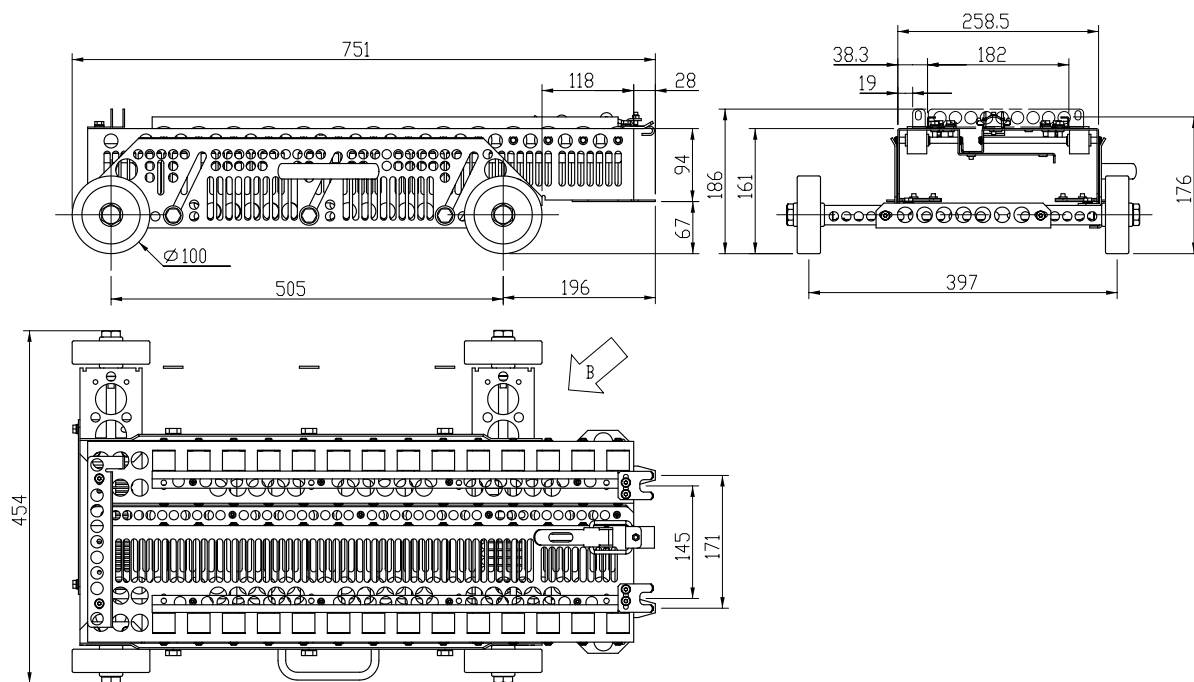
Unlock the catch of the trolley. Move the module.



Dimensional drawings

Dimensions are in millimetres. Convert to inches by dividing by 25.40.

Trolley adjusted for drive module size R7



Trolley adjusted for drive module size R8

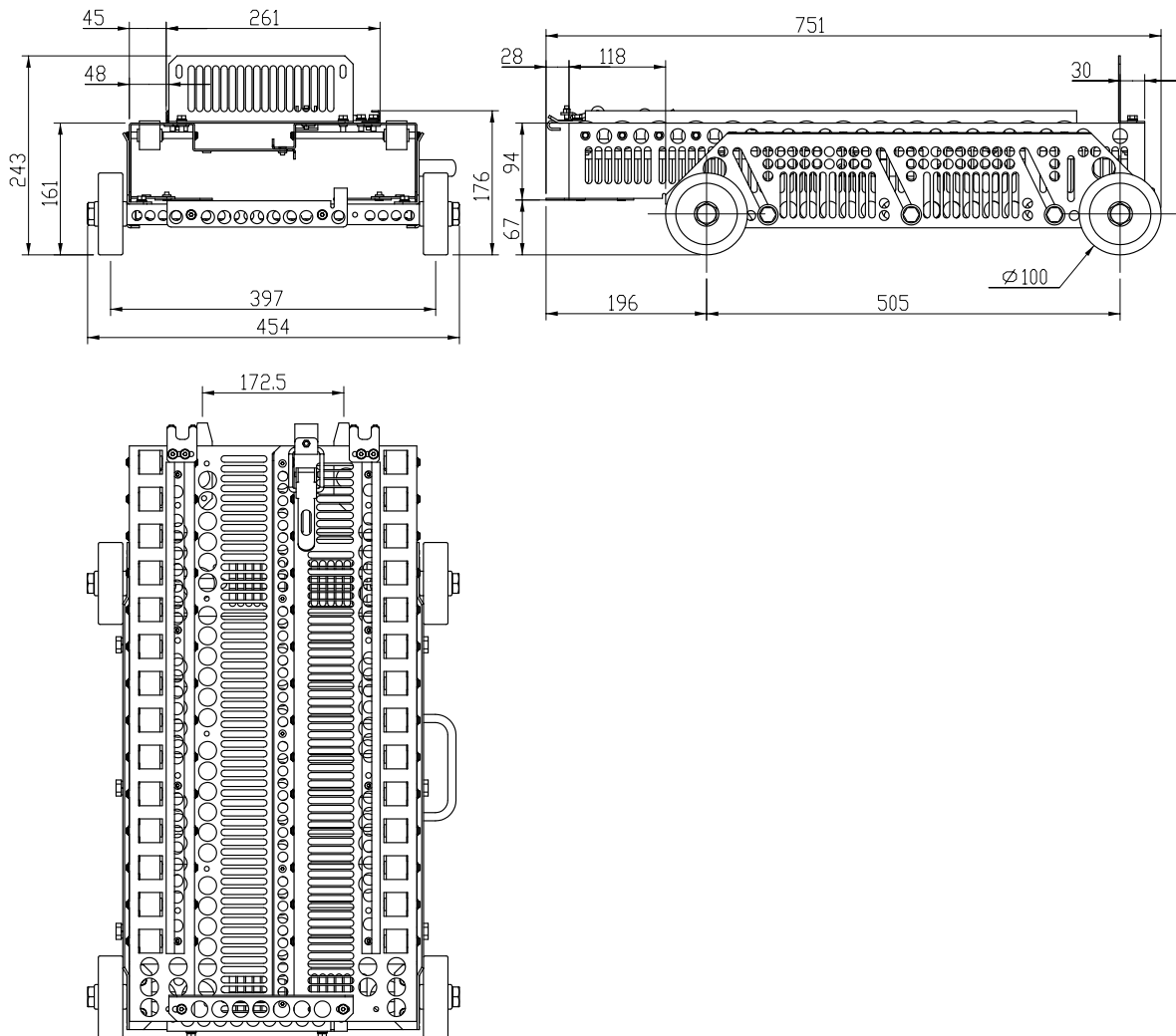




ABB Oy
AC Drives
P.O. Box 184
FI-00381 HELSINKI
FINLAND
Telephone +358 10 22 11
Fax +358 10 22 22681
Internet <http://www.abb.com>

ABB Inc.
Automation Technologies
Drives & Motors
16250 West Glendale Drive
New Berlin, WI 53151
USA
Telephone 262 785-3200
800-HELP-365
Fax 262 780-5135

3AFE68481562 B / EN
EFFECTIVE: 12.05.2005